

0261949

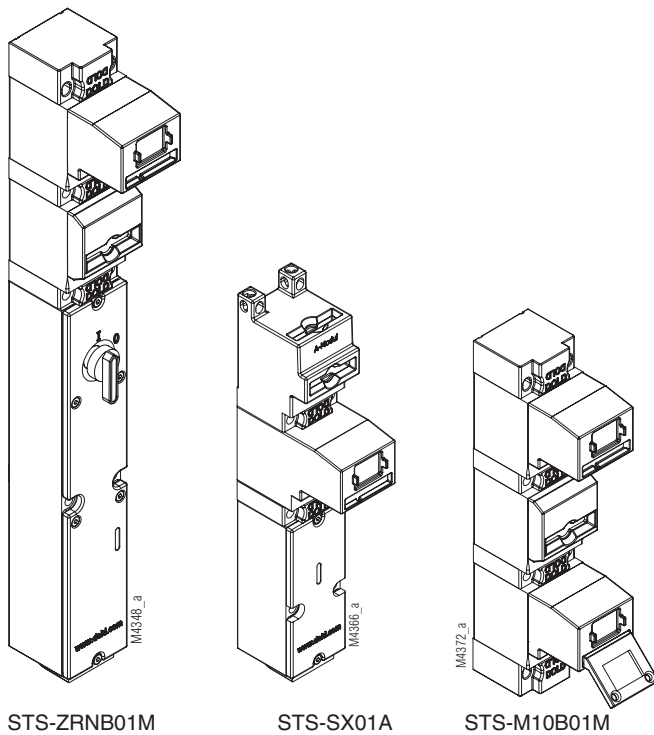
STS-System Benefits

- EU-Test certificate according to the directive 2006/42/EG, annex IX
- For safety applications up to PLe/Category 4 according to EN/ISO 13849-1
- Modular and expandable system
- Rugged stainless steel design
- Wireless mechanical safeguarding
- Easy installation through comprehensive accessories
- Protection against lock-in
- Coding level low, medium, high according to DIN EN ISO 14119:2014-03

Features STS replacement set

- Quick and safe solution for lost keys
- Module expansions possible below and above the module
- With or without protective cover installed
- Facilitate protection against lock-in
- Reduces wiring work and analysis function in the switching cabinet
- Choice of direction in 4 increments of 90°
- Especially suitable for inverted function at difficult mounting position and additional electrical actuator monitoring

Installation Examples



STS-ZRNB01M

STS-SX01A

STS-M10B01M

Approvals and Marking



Application

There is a replacement set of keys available for lost or damaged STS keys. This allows the continued safe use of the SAFEMASTER STS System after the loss of a key.

Design and Operation

The safety switch and key transfer system SAFEMASTER STS protects persons, machines, plants and products. For this purpose, a required operation sequence is forced to open door locks on separating guards.

When a key is lost the mechanical door lock would not open or the installation could not be started again. For some applications of key transfer systems a spare or master key is required. According to product standard DIN EN ISO 14119:2014-03 a second key or master key, however, always harbours the danger that 2 of the same keys will be in use simultaneously.

DOLD has therefore developed a replacement set which prevents the simultaneous use of two of the same keys, for instance, if a lost key shows up again. When using a replacement set, key modules to which the lost key belongs can be recoded by DOLD so that 2 exact keys can never be used.

The STS replacement set is an important part of the SAFEMASTER STS safety concept to meet the requirements of all relevant standards and guidelines.

Technical Data

Enclosure: Stainless steel VA4 / AISI 316
• 2 key introduction openings
• for fastening the complete functional unit

Ambient temperature: - 40°C bis + 100°C

Application: only as part of a unit of the SAFEMASTER STS series

Coding level high according to DIN EN ISO 14119:2014-03

Ordering Designation

Replacement set 01
Article number: 0062778

Replacement set 10
Article number: 0063037

Replacement set 11
Article number: 0063038

Variants and Accessories

Replacement set 01:

Consisting of key module STS 01 and key;
Primary application when safety keys are used.

Replacement set 10:

Consisting of key module STS 10 and key;
Primary application when an authorisation/enabling key is used.

Replacement set 11:

Consisting of key module STS 91, key module STS 10 and key;
Primary application when key transfer functions are used.

STS units including the modules STS-K or STS-E are inverted applications or deviating operating sequences. For more information, refer to the data sheet STS-K / STS-E.

Note - Variants and Accessories -

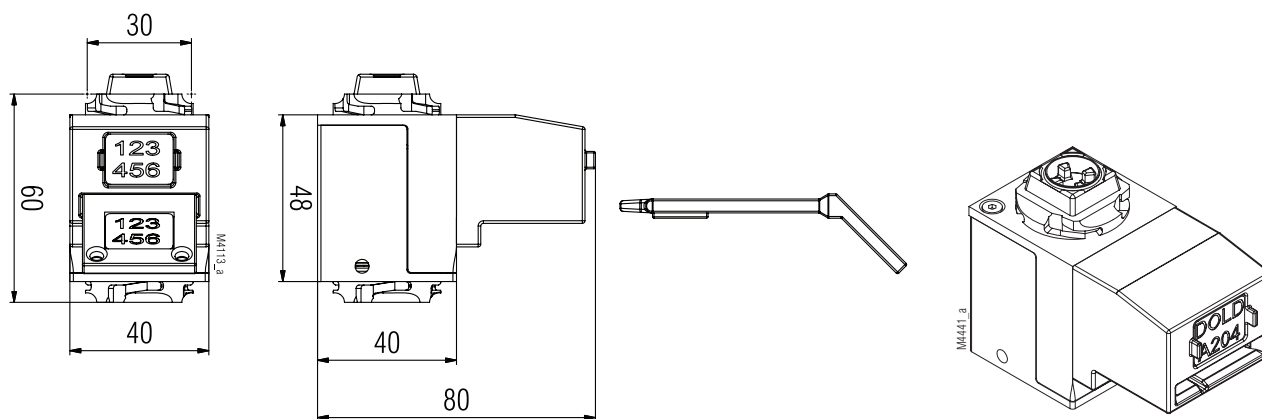
All replacement sets can also be made for key modules with additional protective cover. The product designation of the replacement set will end then with "S".

Example

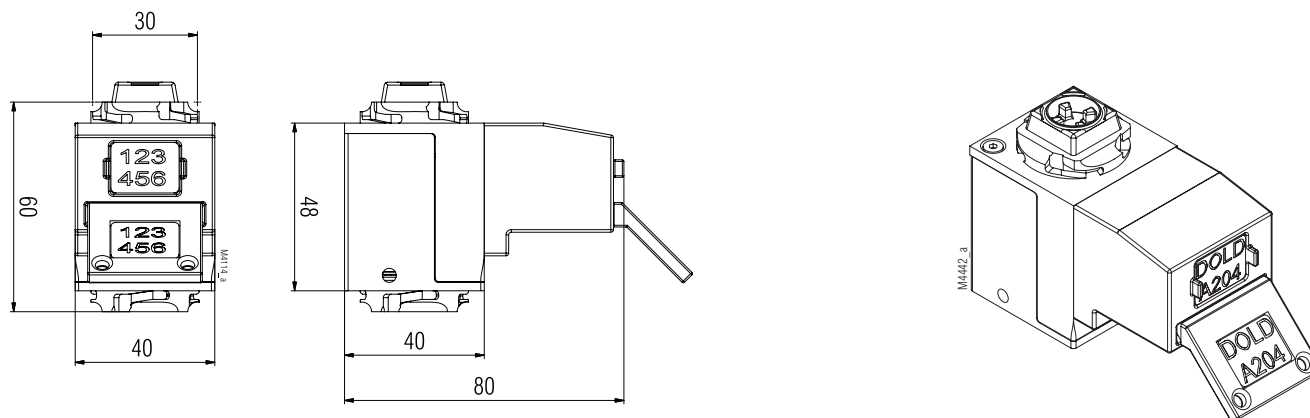
Replacement set 11 with protective cover will be replacement set 11S

Additional information for the installation and use of a key module STS-10 or STS-10S directly above an electrical STS module is available in the data sheets STS-K and STS-E STS-RX/RV and STS-YRX.

Dimensional Drawings [mm]



Key module STS-01



Key module STS-10