

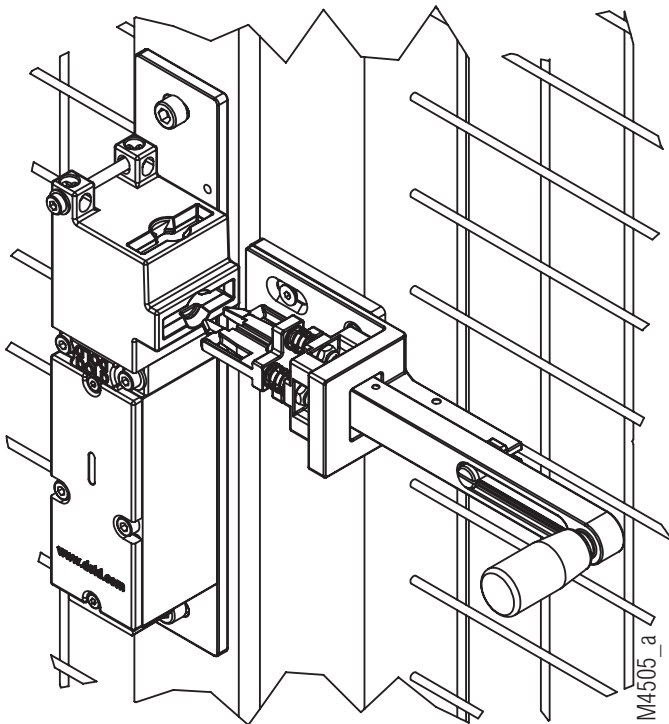
### STS-System Benefits

- EU-Test certificate according to the directive 2006/42/EG, annex IX
- For safety applications up to PLe/Category 4 according to EN/ISO 13849-1
- Modular and expandable system
- Rugged stainless steel design
- Wireless mechanical safeguarding
- Combines the benefits of safety switch, locking module and key transfer in a single system
- Easy installation through comprehensive accessories
- Protection against lock-in
- Coding level low, medium, high according to DIN EN ISO 14119:2014-03

### Features STS-CS mounting plate

- For mounting of CS actuator
- Easier mounting
- Height adjustment when using functional units with the mounting plate

### Installation Example



STS-SXA on mounting plate and STS-CS actuator on STS-CS mounting plate at a hinged door of a protective fence

### Application

The CS mounting plate facilitates the easy fitting of a SAFEMASTER STS-CS actuator to machines and plants.

It is also used to compensate height differences with STS units fastened with mounting plates.

### Design and Function of the Mounting Plate

The CS mounting plate is made of acid-resistant stainless steel 1.4404 (V4A / AISI 316L). The countersunk holes included allow many different mounting options of the CS actuator.

The CS mounting plate is suitable for fitting to fences and system sections. The plate can thereby be fastened with bolts or by welding.

### Important Note

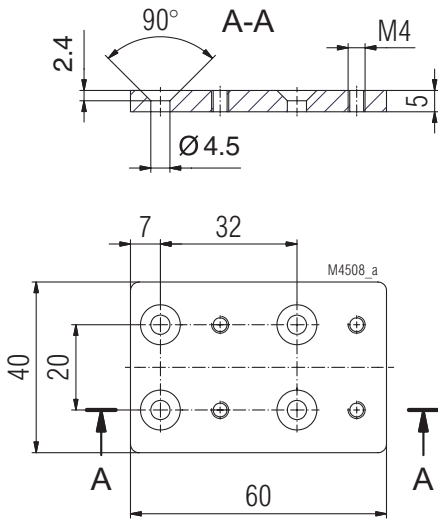
EN ISO 13849 stipulates measures for preventing faults of common causes (CCF).

This includes the detachment of the mounting plate. We therefore recommend fastening the mounting plate with preinstalled CS actuator on the plant or protective fence with several welds or to secure it in some other way against loosening (see Mounting Examples on page 2).

## Technical Data

Material: Stainless steel V4A / AISI 316  
Application: CS mounting plate for the installation of a SAFEMASTER STS-CS actuator

## Dimensional Drawing [mm]



## Ordering Designation

STS-CS mounting plate  
Article number: 0065191

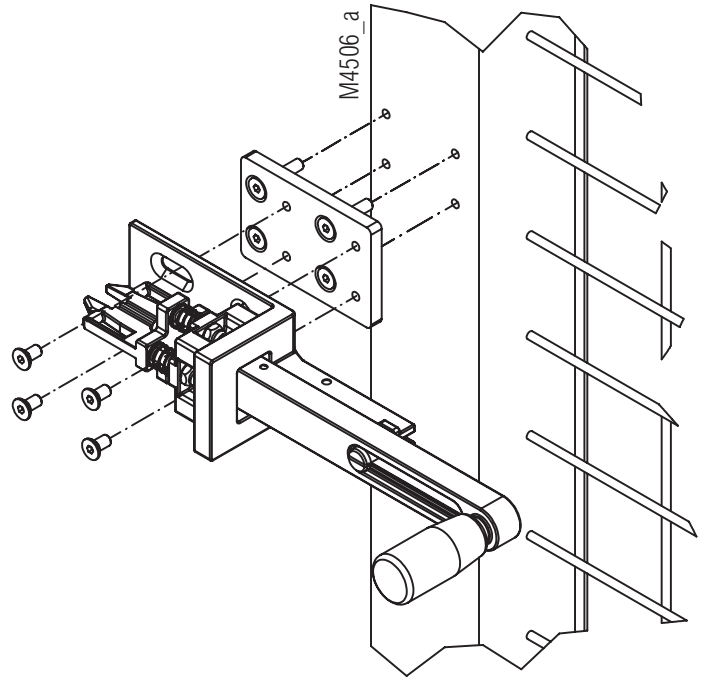
Included in scope of delivery:  
One CS mounting plate and screws  
M4 x 8 mm (3 pcs.), M4 x 16 mm (4 pcs.), M4 x 8 mm with pin (1 pc.)

The actuator is not supplied preinstalled on the mounting plate.

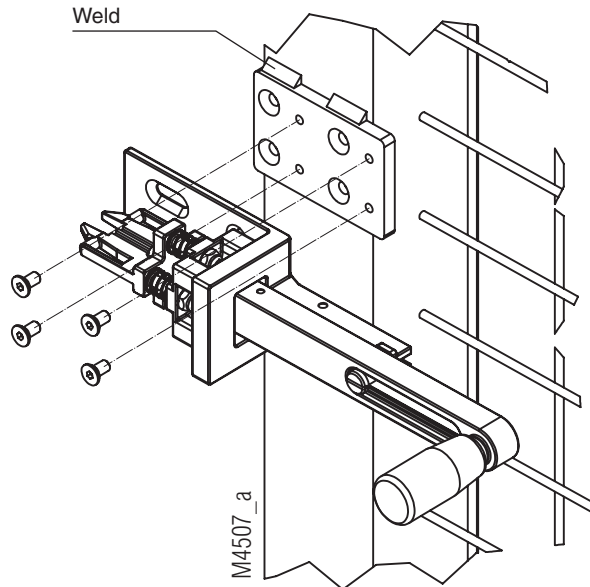
## Accessories

All versions of the CS actuator can be installed on the CS mounting plate. For more information, refer to the data sheet STS-CS actuator.

## Mounting Example



CS actuator and CS mounting plate bolted in place



CS actuator and CS mounting plate welded in place