

**1LG ZYZ M1101-2,5W**  
**Longitudinal light yellow**



**Short description**

Description	Unit	Value
Operating voltage	V	24 to 110 DC +-25%
Power consumption	W	2.5
Operating current	mA	100(at 24V)
LED-colour		yellow
Connection		Overmoulded industrial connector M12 with cable
Degree of protection		IP67

## **1LG ZYZ M1101-2,5W**

### **Longitudinal light yellow**

The LED-longitudinal light 1LG ZYZ M1101-2,5W is a robust IP67 signal - light for direct installation in machines. The illumination-geometry is diffuse.

The lamp connection is by means of a standard M12 sensor cable. The pin configuration of the M12-connector is according to the machine building standards: pin4= +24VDC, pin 3= 0V

The LED lamp can be controlled directly via PCC output as the current consumption is less than 100mA at 24V.

The lamp has an active temperature management to protect the LEDs. In case of excessive heat the LED current will be reduced.

The color of the LED light is yellow.

The housing materials are suitable for applications in critical environment (e.g. coolants and lubricants).

A replacement of illuminants is not necessary. Due to high quality LED technology, the lamp achieves a life cycle of more than 50,000 operation hours.

**1LG ZYZ M1101-2,5W**  
**Longitudinal light yellow**

**Photometric data**

Description	Unit	Value
Illumination-geometry		diffuse
Angle of radiation		120°
LED-colour		yellow

## 1LG ZYZ M1101-2,5W Longitudinal light yellow

### Electrical data

Description	Unit	Value
Operating voltage	V	24 to 110 DC +-25%
Power consumption	W	2.5
Operating current	mA	100(at 24V)
Number of LED	ST	4

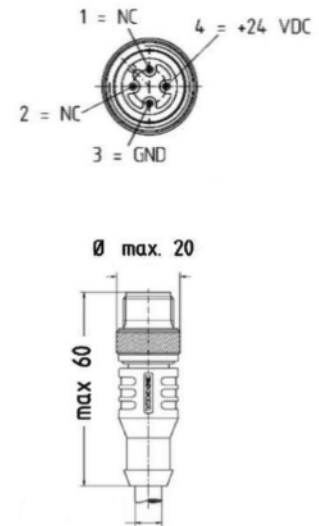
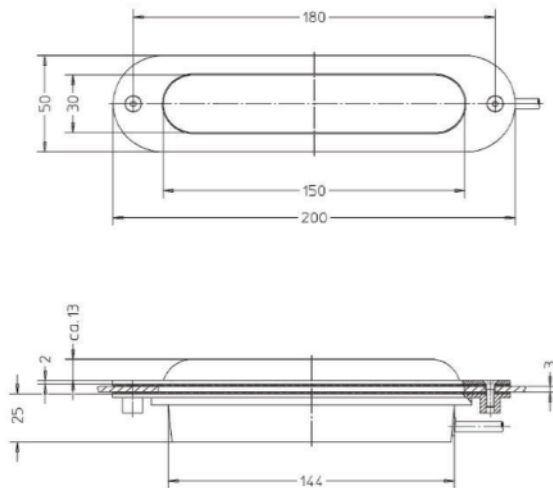
### Mechanical data

Description	Unit	Value
Housing material		UL94V0
Front cover		V2A, mat shot blasted
LED-cover		special glass, satined
Dimensions	mm	200 x 50 x 55
Weight	g	300
Mounting		front side
Connection		Overmoulded industrial connector M12 with cable
Degree of protection		IP67

### Environmental conditions

Description	Unit	Value
Durability	h	min. 50,000
Operating temperature	°C	-40...+50
Storage temperature	°C	-40...+85

**1LG ZYZ M1101-2,5W**  
Longitudinal light yellow



**Dimensions**

Description	Unit	Value
Length	mm	200.00
Width	mm	50.00
Height	mm	55.00
Connection-line	mm	500.00