

1MB CWS M3501-24W High Power LED-Spot



Short description

Description	Unit	Value
Operating voltage	V	24 DC +/- 30%
Power consumption	W	approx. 24
Operating current	mA	approx. 1,000
LED-colour		cool white
Connection		Industrial connector M12
Degree of protection		IP 67

1MB CWS M3501-24W High Power LED-Spot

The High-Power-LED-Spot is a robust and compact surface-mounted light with high power output. The housing material and the technical features allow the use of this product in critical environments. The electrical design guarantees a constant light intensity even with an unsteady operating voltage.

Integrated power supply

- The light contains the driver circuit for 24 VDC – an external power supply is not applicable.

IP67 protection

- Lights adequate for use in harsh environment. (Water, coolants, lubricants, oils, etc.)

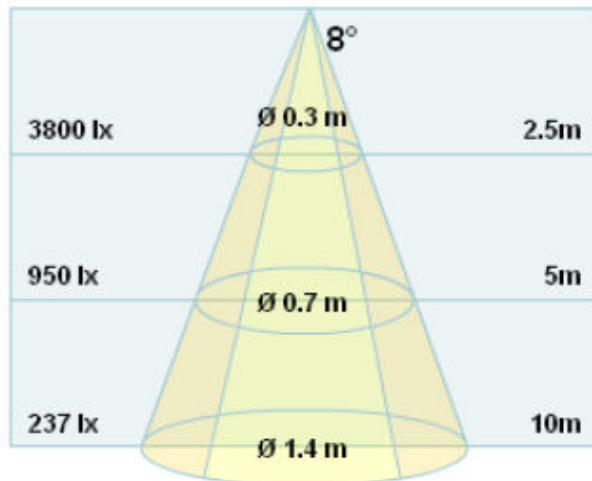
Shock- and vibration proof

- Special potting to protect the electronics
- Safety-glass for robust applications
- Aluminum die cast enclosure

Keep-Cool-Technology

- Active temperature management
Limitation of LED-current in case of excessive LED heating because of extreme operating temperature guarantees a lifecycle of more than 50,000 operating hours.
- Passive temperature management
lowest internal thermal resistance through use of hybrid thick-film technology as pcb-material.
- No burn risk due to low heat generation

1MB CWS M3501-24W High Power LED-Spot



Photometric data

Operating current(mA)	Beleuchtungstärke(lx)	Abstand(mm)
approx. 1,000	3,800	2,500
approx. 1,000	950	5,000
approx. 1,000	237	10,000

Description	Unit	Value
Beleuchtungsgeometrie		circle
Abstrahlwinkel		approx. 8°
LED-Farben		cool white
Farbtemperatur	K	approx. 5,000 - 7,000

1MB CWS M3501-24W High Power LED-Spot

Electrical data

Description	Unit	Value
Operating voltage	V	24 DC +/- 30%
Power consumption	W	approx.24
Number of LED	ST	8
Operating current	mA	approx. 1,000

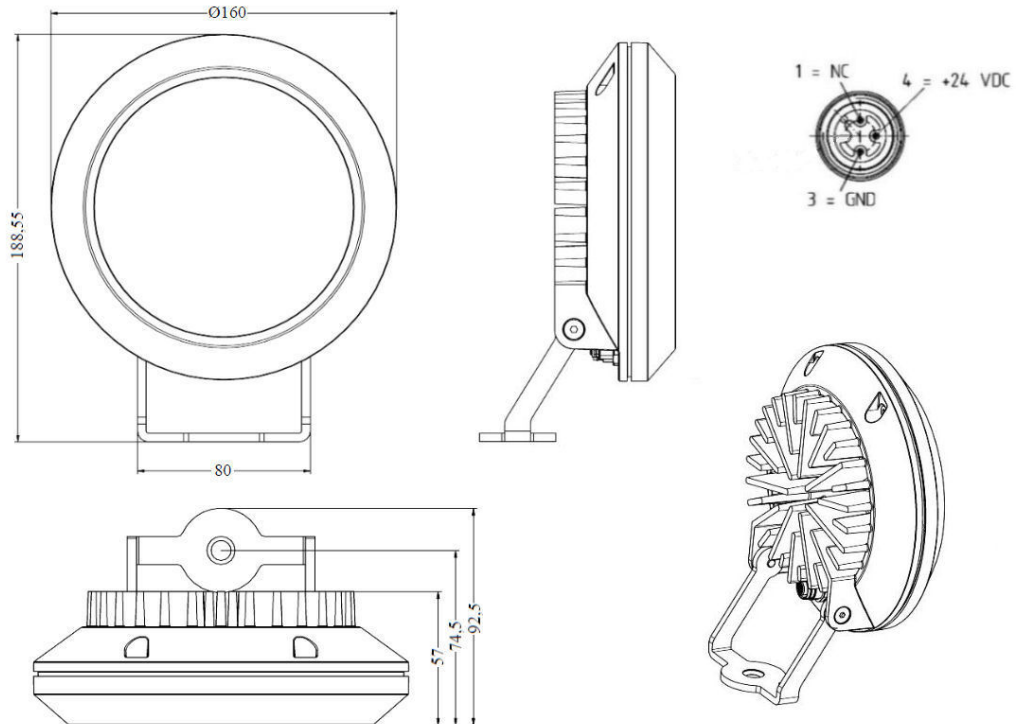
Mechanical data

Description	Unit	Value
Housing material		Aluminium die casting
Front cover		-
LED-cover		Tempered safety glas
Dimensions	mm	Ø 160
Weight	g	approx. 1,000
Mounting		Mounting braket
Connection		Industrial connector M12
Degree of protection		IP 67

Environmental conditions

Description	Unit	Value
Durability	h	min. 50,000
Operating temperature	°C	-40...+50
Storage temperature	°C	-40...+85

1MB CWS M3501-24W
High Power LED-Spot



Dimensions

Description	Unit	Value
Height	mm	57
Diameter	mm	160

1MB CWS M3501-24W High Power LED-Spot

Revision Index

Version	Date	Responsible
-	11.06.2010	CDEGEN