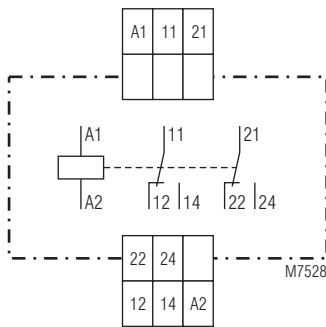


Interface Relay MK 8804

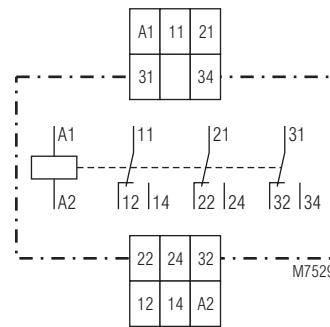


- According to IEC/EN 61 810-1
- As option to switch low loads
- As option for 2-wire proximity sensor control
- Output: 2 or 3 changeover contacts
- With LED indicator
- Width 22.5 mm

Circuit Diagrams



MK 8804.12



MK 8804.13

Connection Terminals

Terminal designation	Signal designation
A1(+), A2	Auxiliary voltage AC or DC
11, 12, 14 (MK 8804.12, .13)	1. changeover contact
21, 22, 24 (MK 8804.12, .13)	2. changeover contact
31, 32, 34 (MK 8804.13)	3. changeover contact

Approvals and Marking



Application

For separating potentials

Indication

LED: on, when control signal applied

Technical Data

Input

Nominal voltage U_N : AC/DC 24, 42, 48, 60, 110, 127, 230, 240 V
Voltage range: 0.8 ... 1.1 U_N
Nominal consumption: ≤ 1.4 W
Nominal frequency: 50 / 60 Hz
Frequency range: ± 5 %

Output

Contacts

MK 8804.12: 2 changeover contacts
 MK 8804.13: 3 changeover contacts

Operate time: ≤ 10 ms

Release time: ≤ 15 ms

Thermal current I_{th} : 5 A

Switching capacity

to AC 15:

NO contact: 3 A / AC 230 V IEC/EN 60 947-5-1

NC contact: 1 A / AC 230 V IEC/EN 60 947-5-1

Electrical life

to AC 15 at 3 A, AC 230 V: 5×10^5 switching cycles IEC/EN 60 947-5-1

Permissible switching

capacity:

3 000 switching cycles / h

Mechanical life:

$> 30 \times 10^6$ switching cycles

Technical Data

General Data

Operating mode:	Continuous operation	
Temperature range:	- 20 ... + 60 °C	
Clearance and creepage distances		
rated impuls voltage / pollution degree:	4 kV / 2	IEC 60 664-1
EMC		
Electrostatic discharge:	8 kV (air)	IEC/EN 61 000-4-2
HF-irradiation:	10 V/m	IEC/EN 61 000-4-3
Fast transients:	4 kV	IEC/EN 61 000-4-4
Surge voltages between wires for power supply:	2 kV	IEC/EN 61 000-4-5
between wire and ground:	4 kV	IEC/EN 61 000-4-5
HF-wire guided:	10 V	IEC/EN 61 000-4-6
Interference suppression:	Limit value class B	EN 55 011
Degree of protection:		
Housing:	IP 40	IEC/EN 60 529
Terminals:	IP 20	IEC/EN 60 529
Housing:	Thermoplastic with V0 behaviour according to UL subject 94	
Vibration resistance:	Amplitude 0.35 mm frequency 10 ... 55 Hz IEC/EN 60 068-2-6	
Climate resistance:	20 / 060 / 04	IEC/EN 60 068-1
Terminal designation:	EN 50 005	
Wire connection:	2 x 1,5 mm ² solid or 2 x 1.0 mm ² stranded ferruled	
Wire fixing:	Flat terminals with self-lifting clamping piece IEC/EN 60 999-1	
Mounting:	DIN rail IEC/EN 60 715	
Weight:	140 g	

Dimensions

Width x height x depth: 22.5 x 82 x 99 mm

Standard Type

MK 8804.12 AC/DC 24 V 50 / 60 Hz
Article number: 0018507
• Output: 2 changeover contacts
• Nominal voltage U_N : AC/DC 24 V
• Width: 22.5 mm

Variants

MK 8804._._/001:	for low loads from 0.1 ... 60 V, 1 mA ... 300 mA
MK 8804._._/004:	for 2-wire-proximity sensor control, permissible residual current \leq 5 mA

Ordering Example for Variants

MK 8804. 13 / _ _ _ _ AC/DC 230 V 50 / 60 Hz

