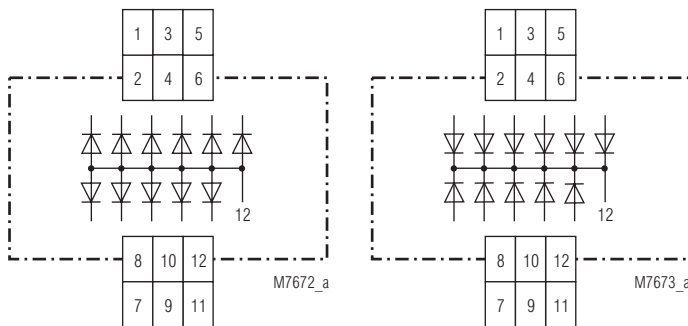


- For max. 11 indicator lamps
- Width 22.5 mm

Circuit Diagrams



MK 9994

MK 9995

Standard Types

MK 9994		
Article number:	0012938	
MK 9995		
Article number:	0015889	stock item
• Width:	22.5 mm	

Variants

MK 9994/60:	with CSA approval
MK 9995/60:	with CSA approval

Ordering example for variants

MK 9994 / _ _ Variant, if required
 _____ Type

Approvals and Marking



* see variants

Application

The lamp tester contains a diode group with either common anode or cathode. It blocks one lamp from the other in order to avoid influence. On AC-operation the lamps are only half illuminated.

Technical Data

Output

Current per output:	0.6 A at 100 % ED 1 A max. 3 min.
Periodical peak reverse voltage:	1 000 V
Peak surge voltage:	1 200 V
Peak surge voltage power dissipation:	1.0 kW for 10 µs
Max. peak current:	50 A for 10 ms
Periodical peak voltage:	1 100 V

General Data

Operating mode:	Continuous operation	
Temperature range:	- 20 ... + 60°C	
Degree of protection		
Housing:	IP 40	IEC/EN 60 529
Terminals:	IP 20	IEC/EN 60 529
Housing:	Thermoplastic with V0 behaviour to UL subject 94	
Vibration resistance:	0,35 mm Amplitude, frequency 10 ... 55 Hz IEC/EN 60 068-2-6 20 / 060 / 04 IEC/EN 60 068-1	
Climate resistance:		
Terminal designation:	EN 50 005	
Wire connection:	2 x 1.5 mm ² solid or 2 x 1.0 mm ² stranded wire with sleeve DIN 46 228-1/-2/-3/-4	
Wire fixing:	Flat terminals with self lifting clamping piece IEC/EN 60 999-1	
Mounting:	DIN rail IEC/EN 60 715	
Weight:	80 g	

Dimensions

Width x height x depth: 22.5 x 82 x 99 mm

