

1LG ZGZ M1101-2,5W
Longitudinal light green



Short description

Description	Unit	Value
Operating voltage	V	24 to 110 DC +-25%
Power consumption	W	2.5
Operating current	mA	100(at 24V)
LED-colour		green
Connection		Overmoulded industrial connector M12 with cable
Degree of protection		IP67

1LG ZGZ M1101-2,5W

Longitudinal light green

The LED-longitudinal light 1LG ZGZ M1101-2,5W is a robust IP67 signal - light for direct installation in machines. The illumination-geometry is diffuse.

The lamp connection is by means of a standard M12 sensor cable. The pin configuration of the M12-connector is according to the machine building standards: pin4= +24VDC, pin 3= 0V

The LED lamp can be controlled directly via PCC output as the current consumption is less than 100mA at 24V.

The lamp has an active temperature management to protect the LEDs. In case of excessive heat the LED current will be reduced.

The color of the LED light of the light is green.

The housing materials are suitable for applications in critical environment (e.g. coolants and lubricants).

A replacement of illuminants is not necessary. Due to high quality LED technology, the lamp achieves a life cycle of more than 50,000 operation hours.

1LG ZGZ M1101-2,5W
Longitudinal light green

Photometric data

Description	Unit	Value
Illumination-geometry		diffuse
Angle of radiation		120°
LED-colour		green

1LG ZGZ M1101-2,5W Longitudinal light green

Electrical data

Description	Unit	Value
Operating voltage	V	24 to 110 DC +-25%
Power consumption	W	2.5
Operating current	mA	100(at 24V)
Number of LED	ST	4

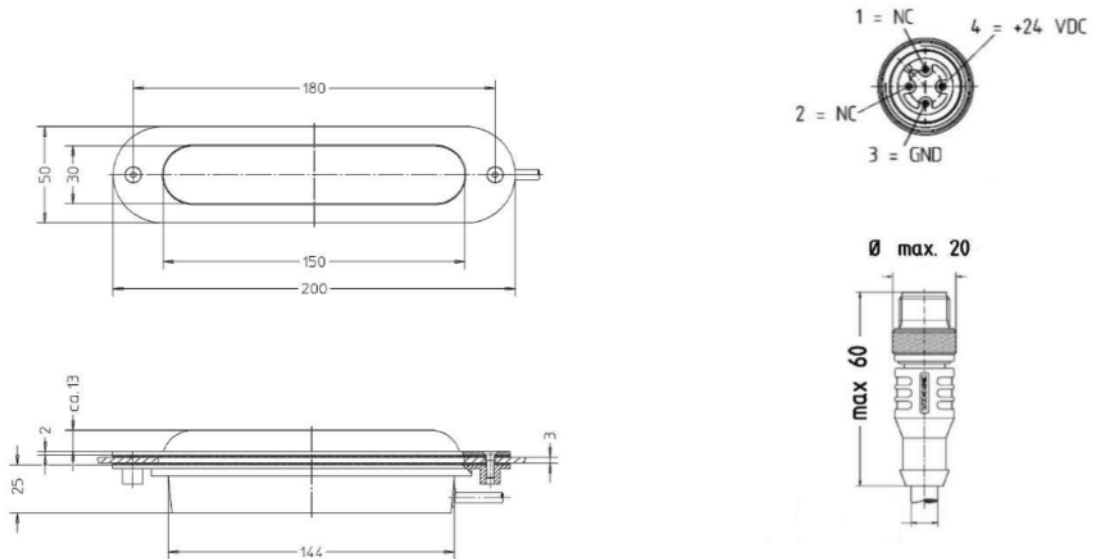
Mechanical data

Description	Unit	Value
Housing material		UL94V0
Front cover		V2A, mat shot blasted
LED-cover		special glass, satined
Dimensions	mm	200 x 50 x 55
Weight	g	300
Mounting		front side
Connection		Overmoulded industrial connector M12 with cable
Degree of protection		IP67

Environmental conditions

Description	Unit	Value
Durability	h	min. 50,000
Operating temperature	°C	-40...+50
Storage temperature	°C	-40...+85

1LG ZGZ M1101-2,5W
Longitudinal light green



Dimensions

Description	Unit	Value
Length	mm	200.00
Width	mm	50.00
Height	mm	55.00
Connection-line	mm	500.00