



DESCRIPTION

Open programmable compact safety control

- integrated movement monitoring of one axis with safePXV-encoder interface
- 14 safe digital inputs
- Up to 4 safe digital outputs
- 2 Relay outputs
- 2/4 pn- or pp- switching outputs
- Safety control up to PL e acc. to EN ISO 13849-1 or SIL3 acc. to IEC 61508
- optional: safe/non-safe fieldbus interface

CHARACTERISTIC OF THE MODULE

- » Extendable up to:
 - max. 42 safe digital inputs
 - max. 12 safe digital outputs
 - max. 20 safe digital I/O's
 - max. 9 safe relay outputs
 - max. 10 auxiliary outputs
 - max. 1 safe axis
- » Freely programmable for the safe processing of Emergency stop buttons, two-hand operation, Light grids, mode selectors, etc.
- » Complete speed and position-related safety functions for drive monitoring IEC 61800-5-2 integrated into firmware
- » Safe position monitoring with only one sensor in combination with the optical reading head PXV100AS-F200-R4-V19-BBH
- » Speed monitoring
- » Standstill monitoring
- » Direction monitoring
- » Safe incremental dimension
- » Emergency Stop monitoring
- » Position monitoring
- » Position range monitoring
- » Trend range monitoring
- » Target position monitoring
- » Open programmable for up to 800 IL-instructions
- » Logic diagram oriented programming via SafePLC²
- » Pulse outputs for cross-shorting detection of digital input signals
- » External contact monitoring of connected switchgear (EMU)
- » Switchable safe semi-conductor outputs pn-, pp- switching for safety-relevant functions

- » Monitored relay outputs for safety relevant functions
- » Comprehensive diagnostics functions integrated
- » Parameter management for expansion modules in base device
- » Coded status display via front-side 7 segment display and status LEDs
- » Multifunction buttons (quit, start, reset) can be operated from the front side
- » Configurable via SafePLC² über USB serial adapter or ethernet based field bus
- » Extended functionality: SafePXV-encoder interface
- » Integrated Memory Card
- » Optional: integrated Communication interface :
 - Standard and safe field bus protocols for communication with a higher level controller (PROFIBUS, PROFINET, DeviceNet, CANopen, EtherNET/IP, EtherCAT, Modbus TCP, PROFIsafe, FSoE)
 - Safe cross communication (SMMC) for data exchange between multiple base devices
 - Field bus protocols with the same hardware can be switched with SafePLC²
 - Safe remote I/O communication for data exchange with distributed I/O systems
- » The mechanical structure of SMX11-PXV/2 (/x*) is depended on the respective form of the base module

* **Optional: integrated communication interface (/DMM, /DBM)**

SAFETY RELATED CHARACTERISTIC DATA

Performance Level	PL e (EN ISO 13849-1)
PFH / architecture	12,6 FIT / Cat 4
Safety Integrity Level	SIL 3 (IEC 61508)
Proof test interval	20 years = max. operating period

GENERAL DATA

Max. no. of expansion modules	2
Interface for expansion modules	T-bus connector, pluggable in top-hat rail RJ-45 (Ethernet)
Number of safe digital inputs	14
Number of safe digital outputs	
	pp-switching ** 4
	pn-switching ** 2
Number of safe digital I/O	–
Number of relay outputs	2
Number of safe analogue inputs	–
Number of auxiliary outputs	2
Number of pulse outputs (clock outputs)	2
Type of connection	Plug-in terminals with spring or screw connection
Axis monitoring (axes / encoder interfaces)	1 / 1
Encoder technology (D-Sub / Screw terminals / RS 485)	RS 485, X35: PXV100AS-F200-R4-V19-BBH

** pn/pp are configurable via SafePLC²

ELECTRICAL DATA

Supply voltage (tolerance)		24 VDC; 2A (-15%, +20%)
Fuse	X11.1	min. 30 VDC; max. 3,15A
	X11.2	min. 30 VDC; max. 10A
Max. Power consumption (logic)		
	SMX11-PXV/2	3,5 W
	SMX11-PXV/2/x	6,8 W
Rated data digital inputs		24 VDC; 20 mA Typ1 acc. to IEC 61131-2
Rated data digital outputs		
	pn-switching	24 VDC; 2A *
	pp-switching	24 VDC; 2A *
	auxiliary outputs	24 VDC; 250mA
	pulse outputs (clock outputs)	24 VDC; 250mA
Rated data relays		
Normally open	DC 13	24 VDC; 2A
	AC 15	230 VAC; 2A

* see „Derating Outputs“

DERATING OUTPUTS

- » Maximum current load based on temperature
- » The maximum total current is 10A

type of module	outputs	temperature 30°C / 50°C
SMX1x/2/x	Q 1 – Q 4	2A / 1,8A

ENVIRONMENTAL DATA

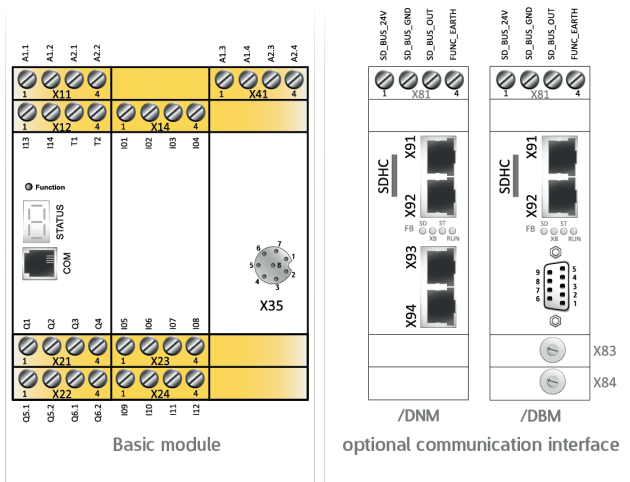
Temperature	0°C ... +50°C operation -25°C ... +70°C storage and transport
Class of protection	IP 20
Climatic category	3K3 acc. to DIN EN 60721-3
Min-, Maximum relative humidity (no condensation)	5% - 85%
EMC	DIN EN 61000-6-2, DIN EN 61000-6-4, DIN EN 61000-6-7, DIN EN 61800-3, DIN EN 61326-3, DIN EN 62061
Operating altitude	2000m

MECHANICAL DATA

Dimensions (HxDxW [mm])	SMX11-PXV/2	100x115x67,5
	SMX11-PXV/2/x *	100x115x90
Weight [g]	SMX11-PXV/2	390
	SMX11-PXV/2/x *	490
Mounting	to snap on top-hat rail	
Number of T-Bus	SMX11-PXV/2	3
	SMX11-PXV/2/x *	4
Min. terminal cross-section / AWG	0,2 mm ² / 24	
Max. terminal cross-section / AWG	2,5 mm ² / 12	

* Specification, see: „Optional integrated communication interface“

DEVICE INTERFACES



Interface	Description of interface
X11 – X14 / X21 – X24 / X41	Voltage supply and I/O interface
X81	
SDHC	Memory Card for safety program
COM	Diagnostic- and configuration interface
X91 / X92	Decentralized SDDC ETH and SMMC interface
X93 / X94	Fieldbus interfaces
X35	Encoder interface

VOLTAGE SUPPLY AND I/O INTERFACE

X 11		
Pin	1 - A1.1	Voltage supply device +24 VDC
	2 - A1.2	Voltage supply device +24 VDC outputs
	3 - A2.1	Voltage supply device 0 VDC
	4 - A2.2	Voltage supply device 0 VDC
X 12		
Pin	1 - I13	Safe digital inputs
	2 - I14	
	3 - T1	
	4 - T2	Clock outputs

X 13		
Pin	1 - NC	No function
	2 - NC	
	3 - NC	
	4 - NC	
X 14		
Pin	1 - I01	Safe digital inputs
	2 - I02	
	3 - I03	
	4 - I04	

X 21		
Pin	1 - Q1	Output of the pn-switching Q1_PP / pp-switching Q1
	2 - Q2	Output of the pn-switching Q2_PN / pp-switching Q2
	3 - Q3	Output of the pn-switching Q3_PP / pp-switching Q3
	4 - Q4	Output of the pn-switching Q4_PN / pp-switching Q4
X 22		
Pin	1 - Q5.1	Safe relay output
	2 - Q5.2	
	3 - Q6.1	Safe relay output
	4 - Q6.2	
X 81*		
Pin	1 - SD_BUS_24V	Power supply SD-BUS +24 VDC
	2 - SD_BUS_GND	Power supply SD-BUS 0 VDC
	3 - SD_BUS_OUT	SD-BUS Output
	4 - FUNC_EARTH	Functional Earth

* only available for field bus variants

X 23		
Pin	1 - I05	Safe digital inputs
	2 - I06	
	3 - I07	
	4 - I08	
X 24		
Pin	1 - I09	Safe digital inputs
	2 - I10	
	3 - I11	
	4 - I12	
X 41		
Pin	1 - A 1.3	Voltage supply Sensor +24 VDC
	2 - A 1.4	
	3 - A 2.3	Voltage supply Sensor 0 VDC
	4 - A 2.4	

DIAGNOSTIC AND CONFIGURATION INTERFACE

Pin assignment

RJ 10, 4-pin		
Pin	Description	COM front side
1	GND	
2	RS485-	
3	RS485+	
4	VCCH	

» With existing Ethernet-based fieldbus interface, it can be used as a diagnostic and configuration interface.

DECENTRALIZED SDDC ETH AND SMMC INTERFACE

Pin assignment female connector

Communication interface (RJ45-Buchse)				Front side
Pin	Name	Description	Colour	X91 / X92
1	TX+	Transmit Data +	white-orange	
2	TX-	Transmit Data -	orange	
3	RX+	Receive Data +	white-green	
4	nc	not used	blue	
5	nc	not used	white-blue	
6	RX-	Receive Data -	green	
7	nc	not used	white-brown	
8	nc	not used	brown	

Safe Master – Master Communication (SMMC)

SMMC communication enable a secure data exchange of 2 bytes between multiple SDDC masters. Communication takes place without a master for coordinating the data. This means that data exchange between available subscribers is always possible. This principle means that an incomplete or separates network can work in part areas without chnaging the configuration.

Each port can be configured in the SafePLC².

FIELDBUS INTERFACES

Pin assignment female connector

Ethernet-based fieldbus interface /xNx (RJ45)				Front side
Pin	Name	Description	Colour	X93 / X94
1	TX+	Transmit Data +	white-orange	
2	TX-	Transmit Data -	orange	
3	RX+	Receive Data +	white-green	
4	nc	not used	blue	
5	nc	not used	white-blue	
6	RX-	Receive Data -	green	
7	nc	not used	white-brown	
8	nc	not used	brown	

CAN-based fieldbus interface /DBM, /xBM (D-Sub)				Front side
Pin	CANopen	PROFIBUS	DeviceNet	
1	—	—	V-	
2	CAN_L	—	CAN_H	
3	isoGND	RXD/TXD-P (B)	DRAIN	
4	—	CNTR-P	CAN_L	
5	—	GND	V+	
6	—	VP (+5V)	—	
7	CAN_H	—	—	
8	—	RXD/TXD-N (A)	—	
9	—	CNTR-N	—	

OPTIONAL INTEGRATED COMMUNICATION INTERFACE

- » Subsequent expansion capability of standard to safe field bus via additional Mini SD card on the back of the module is possible (/xNx und /xBx)
- » Different specifications can be combined

General data	
Decentralized communication interface	
/D	2x RJ 45 *
Fieldbus interface	
/xN	2x RJ 45 **
/xB	1x Sub-D ***
MemoryCard (safety program)	
/xxM	1x Mini SD (front side)
Memory Card (license for safe field bus)	
/xNx	1x Mini SD (rear side)
/xBx	
SD bus	plug-in terminals
Status LEDs	4
Field bus adress rotary switch	
/xBx	2

* optional for SDDC or SMMC

** available field buses PROFINET, EtherCAT, Modbus TCP and Ethernet TCP/IP

*** available field buses PROFIBUS, CANopen und DeviceNet

Combination options

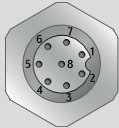
	/D	/DNM	/xNM	/xxM	/DBM	/xBM
Field bus protocols						
PROFIBUS			X			
DeviceNet			X			
CANopen			X			
PROFINET					X	X
Ethernet IP					X	X
EtherCAT					X	X
Modbus TCP					X	X
PROFIsafe *	X		X		X	X
FSoE *					X	X

* Specification required in your order

» The CAN-based and Ethernet-based fieldbus interfaces can be switched via the SafePLC² between the fieldbus protocols

ENCODER INTERFACES

Pinassignment X35

Pin	RS 485	Front side SMX
1	Enable Blue	 <p>X35</p>
2	UB+	
3	Data +	
4	Data -	
5	Sync IN	
6	Enable Red	
7	GND	
8	NC	

ENCODER SPECIFICATIONS

PXV100AS-F200-R4-V19-BBH		
Physical Layer		RS-485 compatible
Data format		Binary Code
Transmission rate		115200 Bit/s
Type of connection (X35)		male connector 1x M12, 8-pin
Termination		120 Ω, selectable
General data		
Overrun speed v		≤ 10 m/s
Measuring length		max. 100000 m
Resolution		± 1mm
Measuring frequency		100 Hz

ORDER INFORMATIONS

BASIC MODULES

item	description	item no.
SMX11-PXV/2	Basic module with integrated movement monitoring of one axis + safePXV encoder interface	2580
SMX11-PXV/2/D	Basic module + decentralised communication	on request
SMX11-PXV/2/DNM	Basic module + decentralised communication + Ethernet-based field bus interface + Memory Card	on request
SMX11-PXV/2/DNM- FSoE	Basic module + decentralised communication + Ethernet-based field bus interface + Memory Card	on request
SMX11-PXV/2/xNM	Basic module + Ethernet-based field bus interface + Memory Card	2470
SMX11-PXV/2/xNM-FSoE	Basic module + Ethernet-based field bus interface + Memory Card	on request
SMX11-PXV/2/xxM	Basic module + Memory Card	on request
SMX11-PXV/2/DBM	Basic module + decentralised communication + CAN-based field bus interface + Memory Card	on request
SMX11-PXV/2/xBM	Basic module + CAN-based field bus interface + Memory Card	on request

ACCESSORIES

item	description	item no.
SMX91	Programming adapter SMX	1010
SXxxx-x	Terminal connector, screw terminals (set), encoded for cabling SMX11-PXV/2	on request
SXxxx-x	Terminal connector, spring terminals (set), encoded for cabling SMX11-PXV/2	on request
SX0000-9	T-Bus connector voltage-carrying (grey)	1015
SXxxx-x	Y-cable for encoder splitting	on request
FSoE License	Field bus license for FSoE	2366
PROFIsafe License	Field bus license for PROFIsafe	2319
PXV100AS-F200-R4-V19-BBH	Optical reading head for incident light positioning system	2581

EXTENSIONS

item	description	item no.
SMX31/2	I/O expansion module	1705
SMX31R/2	I/O expansion module with relay option	2046
SMX31R-4/2	I/O expansion module with relay option	2047

SOFTWARE

item	description	item no.
SafePLC ² 1st	Programming software, 1te License incl. Hardlock	1244
SafePLC ² 2nd	Programming software, 2te License incl. Hardlock	1646
SafePLC ² 3rd	Programming software, 3te License incl. Hardlock	1647