

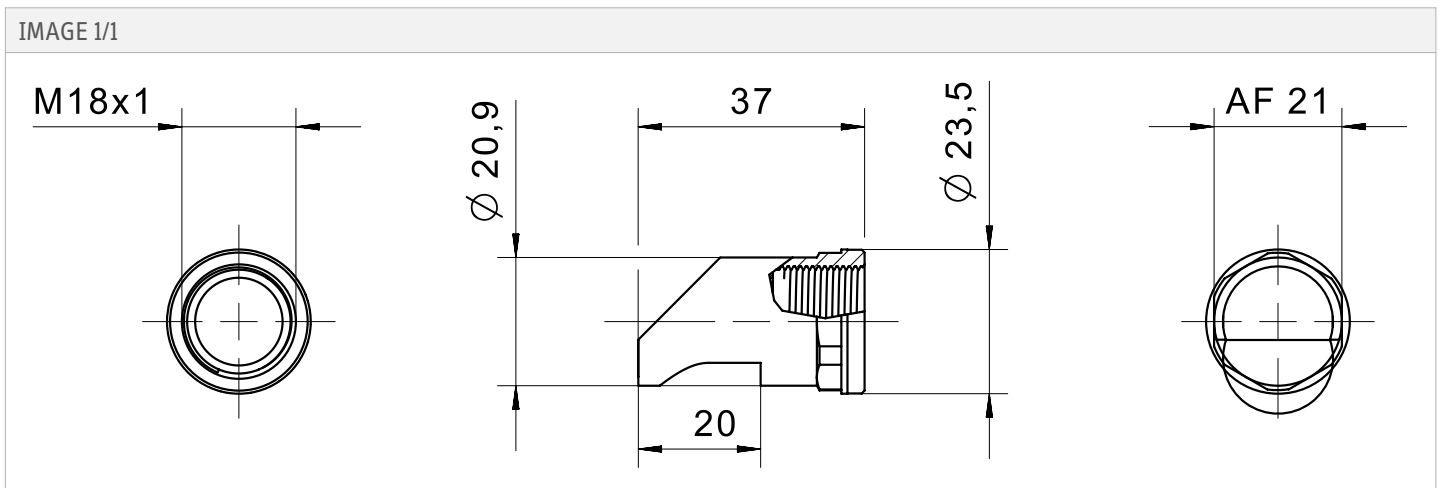


Acoustic conduit

Product characteristics

- 90° sound deflection for complex installation conditions
- Suitable for sensors with M18 thread

Technical drawing



Article characteristics

Attribute	B090-18P-01
Suitable for	Ultraschallsensoren mit M18 Gewinde
Material	ABS
Dimensions	Ø23,5x37