

Actuator 153MBK

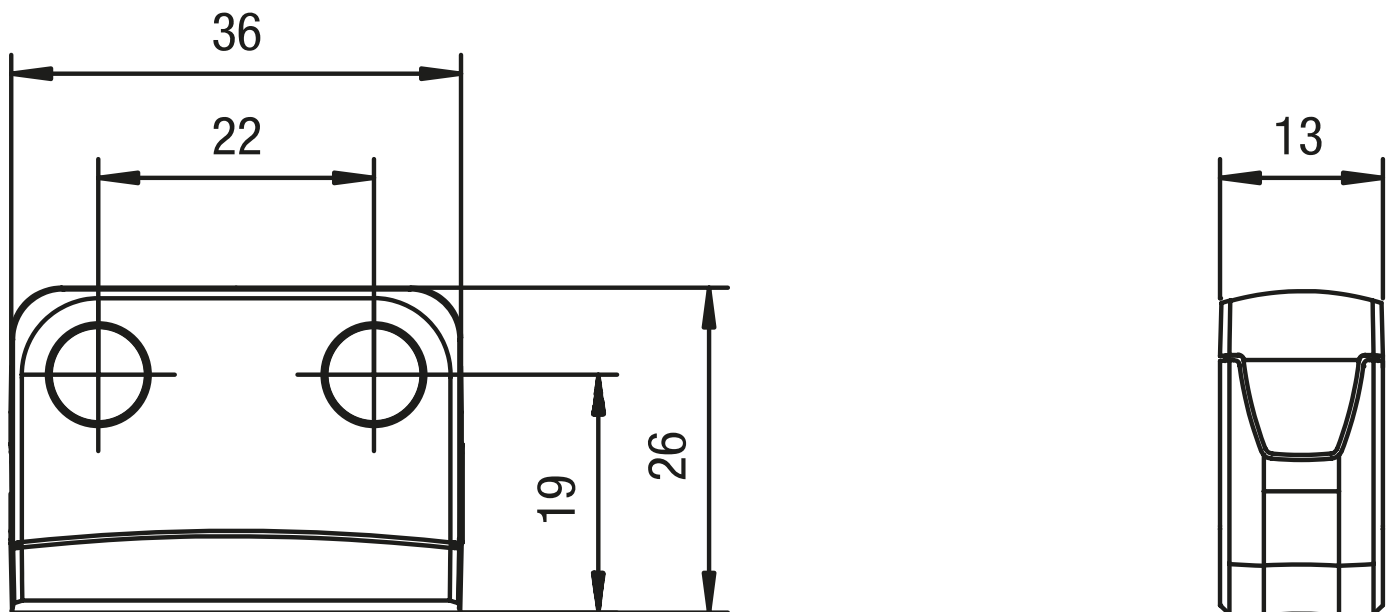
When used with the corresponding safety sensor, the magnetic actuator of the new eloProtect M range enables optimised operating distances and offset values as well as increased tampering protection.

Technical specifications

- Flexibility in installation and use from variable actuation direction
- Space-saving and simple installation through small size
- Screw covers prevent easy removal and the accumulation of dirt
- Strong resistance against cleaning agents (ECOLAB) makes this suitable for use in the food and packaging industries.

Technical drawing

IMAGE 1/1



Product options

IMAGE 1/1

ORDERING KEY

153	MBK		Actuators for 153 MSK series
		001	Standard - front actuation
		101	Increased switching distance - front actuation
		201	Standard - 90° actuation
		301	Increased switching distance - 90° actuation

Article characteristics

Attribute	153MBK001	153MBK101	153MBK201	153MBK301
Coding acc. to EN ISO 14119	Low			
Suitable for sensor type(s)	153MSK			
Dimensions	36x26x13			
Housing material	PBT	PBT/PC		
Housing colour	grau/schwarz			
Mounting type	screwed			
Torque for fastening screws	0.7 N m			