

## Actuator 30078

The 30078 actuator is for use with 122..1 and 120..1 safety sensors.

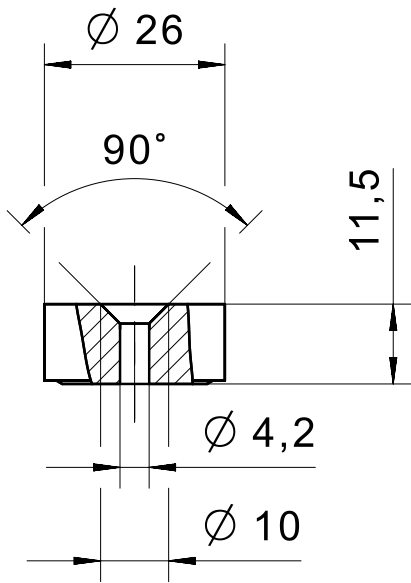
### Product characteristics

- Compact, space-saving design
- Available in stainless steel or plastic housing
- Can be used in adverse environmental conditions thanks to the stainless steel housing
- Hygienic design available

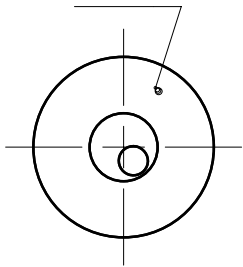
Technical drawing

IMAGE 1/1

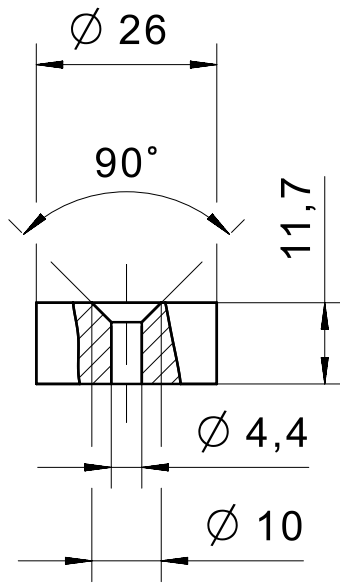
300780  
300785



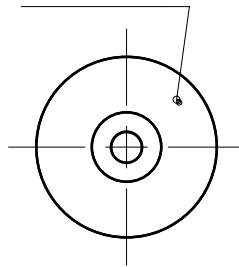
Pa6



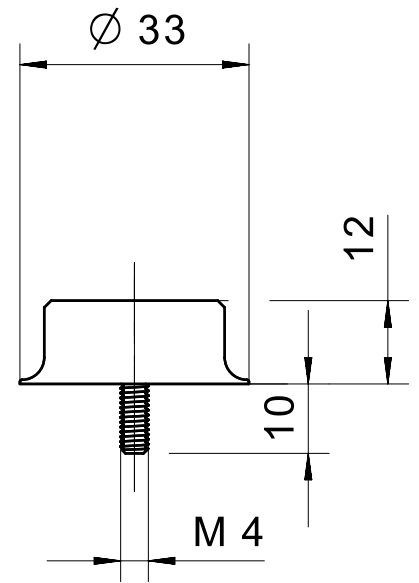
300780V  
300785V



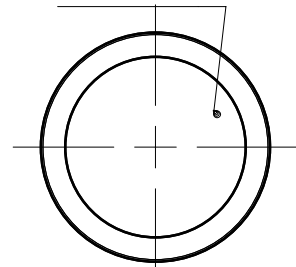
1.4404



300780VH  
300785VH



1.4404



**Product options**

IMAGE 1/1

**ORDERING KEY**

300				Actuators
	7			
		80		Magnetic field north
		80	V	Magnetic field north – stainless steel housing
		80	VH	Magnetic field north – hygienic version
		85		Magnetic field south
		85	V	Magnetic field south – stainless steel housing
		85	VH	Magnetic field south – hygienic version

Article characteristics

Attribute	300780	300780V	300780VH	300785	300785V	300785VH
Coding acc. to EN ISO 14119	Low					
Suitable for sensor type(s)	120..1 / 122					
Dimensions	Ø 26 / H=11,7		Ø 33 / H=12	Ø 26 / H=11,7		Ø 33 / H=12
Housing material	PA 6	1.4404		PA 6	1.4404	
Housing colour	rot	silber		grün	silber	
Mounting type	Screw		Thread	Screw		Thread
Thread	-		M4x10	-		M4x10