



Actuator 30420000

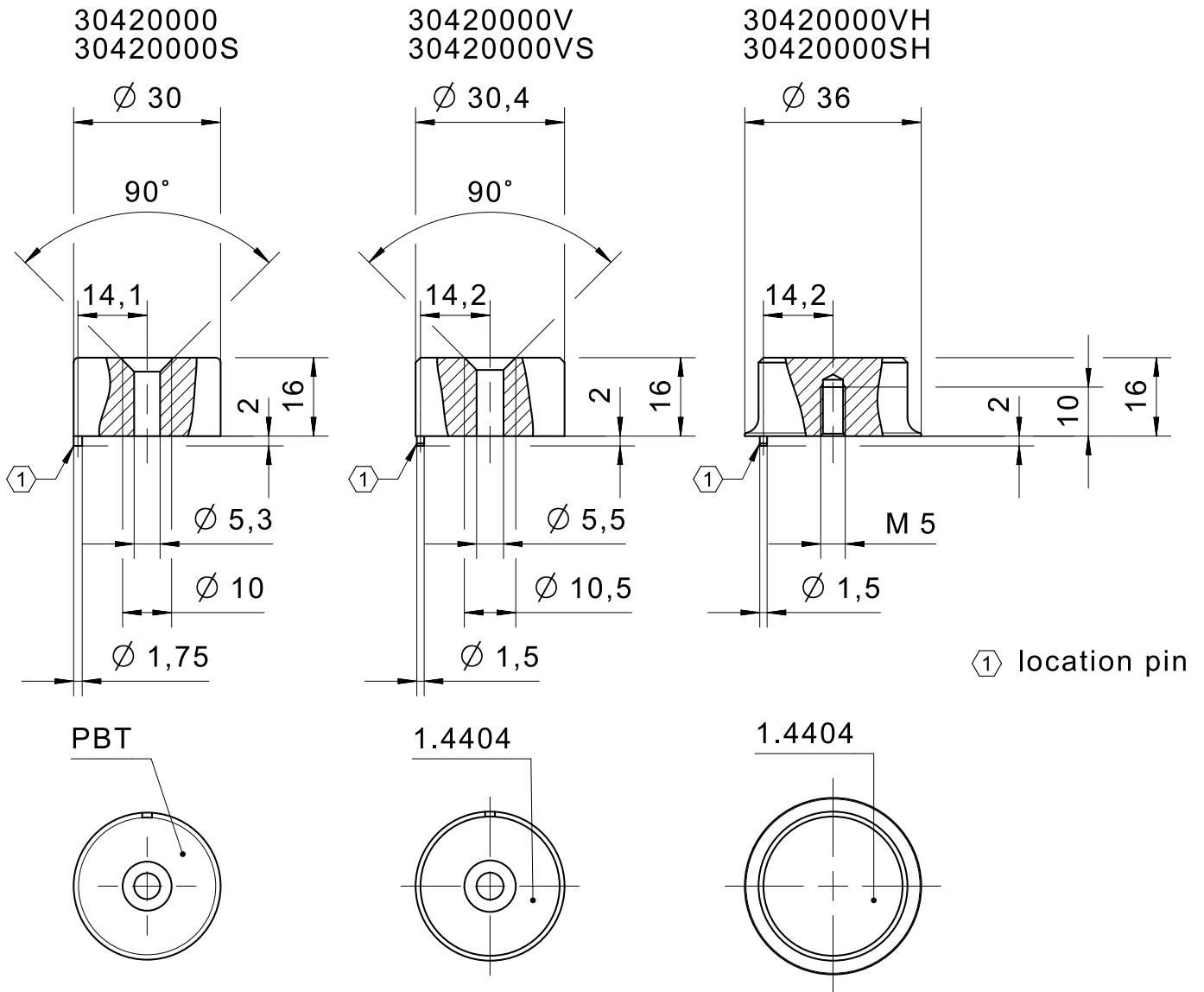
The 30420000 actuator is for use with the 120..2, 171 and 671 safety sensors and is suitable for a wide range of applications.

Product characteristics

- Designs and materials for a wide range of applications
- Can be used in adverse environmental conditions thanks to the stainless steel housing
- Hygienic design available
- Standard actuator or reinforced actuator for larger switching distances available
- Concealed mounting possible
- Available in PTB plastic and stainless steel 1.4404

Technical drawing

IMAGE 1/1



Product options

IMAGE 1/1

ORDERING KEY

304 200 00			
	S		Increased switching distance - plastic
	V		Standard – stainless steel
	V	S	Increased switching distance - stainless steel
	V	H	Standard - stainless steel hygienic version
	S	H	Increased switching distance - stainless steel hygienic version

Article characteristics

Attribute	30420000	30420000S	30420000SH	30420000V	30420000VH	30420000VS
Coding acc. to EN ISO 14119	Low					
Suitable for sensor type(s)	171 / 671 / 120..2 / 171K / 117					
Dimensions	30x16		36x16	30.4x16	36x16	30.4x16
Housing material	PBT		1.4404			
Housing colour	schwarz		silber			
Mounting type	screwed					