

## Actuator 30422112

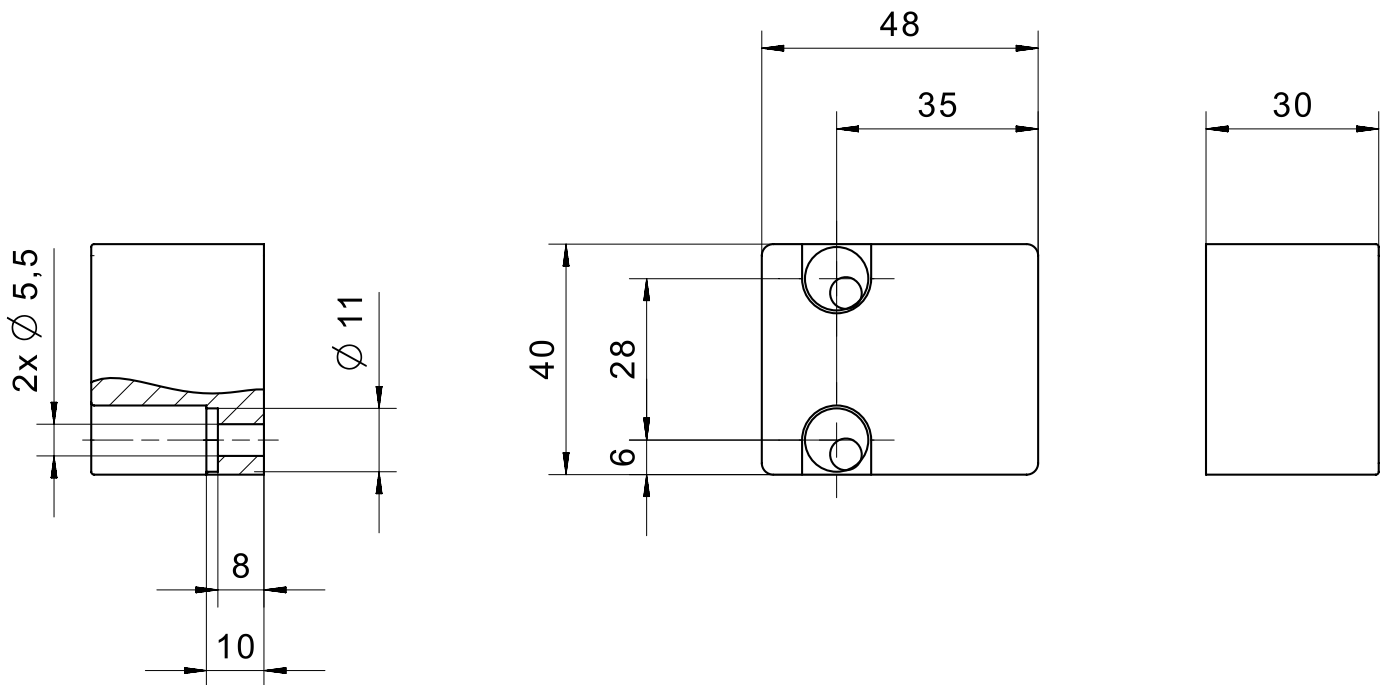
The 30422112 actuator is for use with the 161 safety sensors.

### Product characteristics

- Robust plastic housing

### Technical drawing

IMAGE 1/1



**Product options**

IMAGE 1/1

**ORDERING KEY**

304 221 12		
		Normal switching distance
	S	Increased switching distance

Article characteristics

Attribute	30422112	30422112S
Coding acc. to EN ISO 14119		Low
Suitable for sensor type(s)		161
Dimensions		48x40x30
Housing material		PBT
Housing colour		schwarz
Mounting type		screwed