



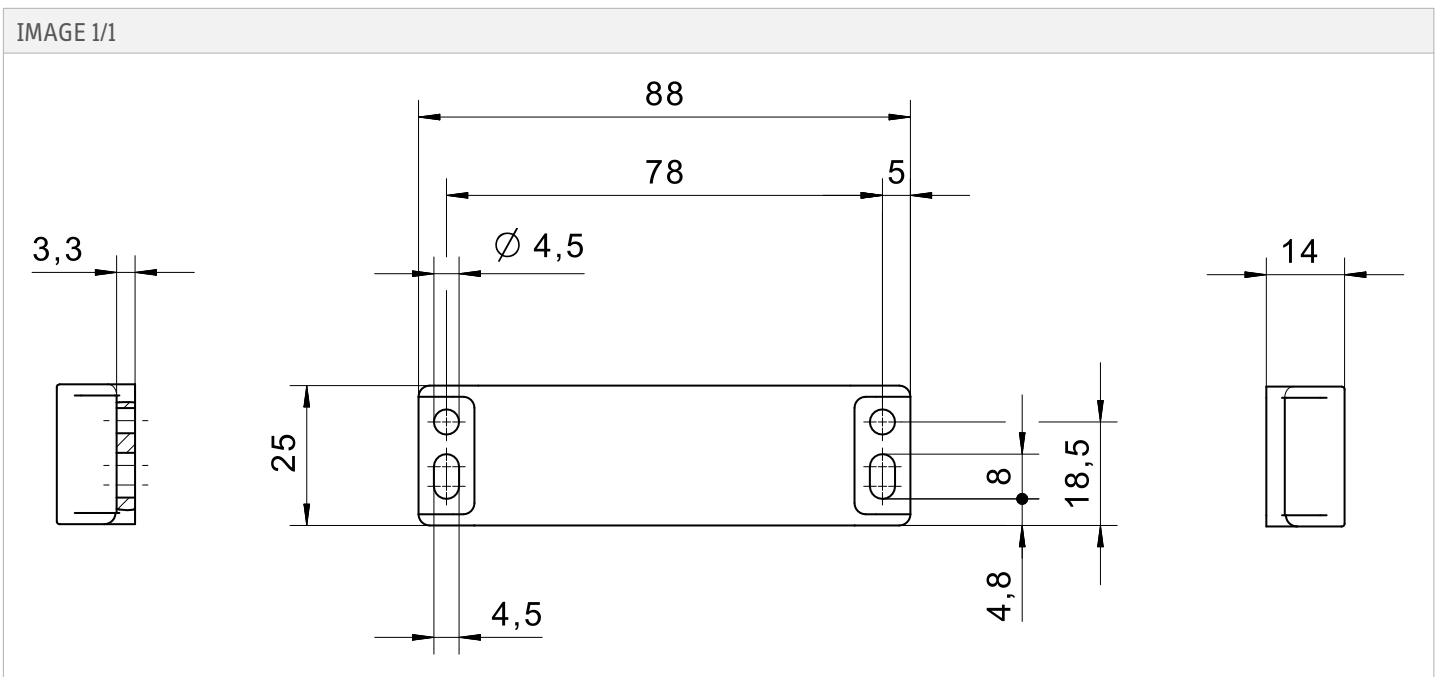
Actuator 3042611

The magnetic actuator fits the safety sensors of design 165.

Technical specifications

- Standard actuator or reinforced actuator for larger switching distances available

Technical drawing



Article characteristics

Attribute	30426112	30426112S	30426112PC	30426112SPC
Suitable for sensor type(s)	siehe Datenblatt			
Dimensions	88x25x14			
Housing material	PBT			
Housing colour	Schwarz		Gelb	
Mounting type	screwed			