

## Actuator 30426112V

The 30426112V actuator is for use with the 165...V safety sensors.

### Product characteristics

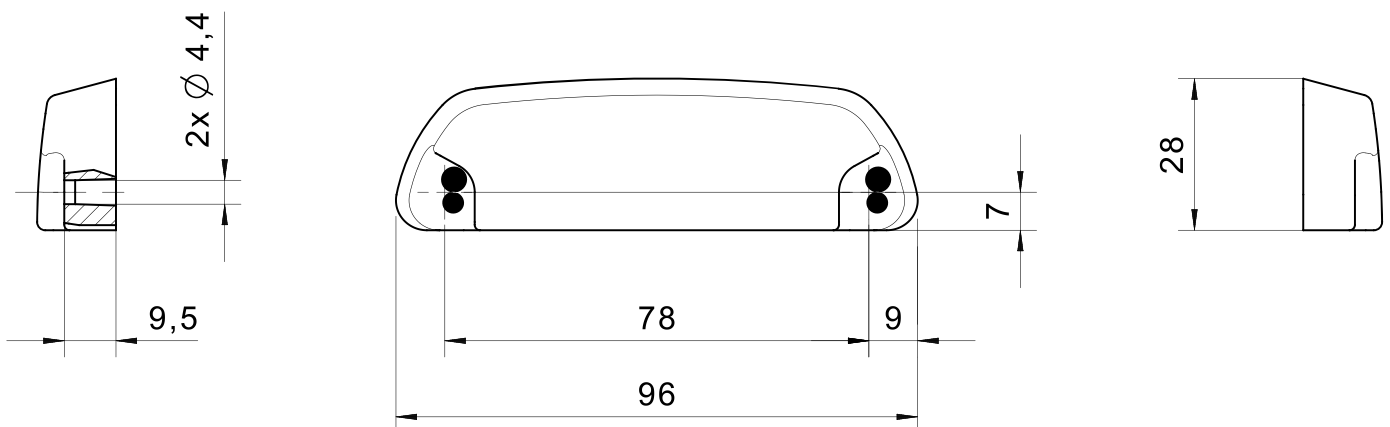
- Can be used in adverse environmental conditions thanks to the stainless steel housing

### Technical drawing

IMAGE 1/1

**304 261 12 V**  
**304 261 12 VS (increased switching distance)**

**for 165 ... series V**



**Product options**

IMAGE 1/1

**ORDERING KEY**

304 261 12			
	V		Standard
	V	S	Increased switching distance

Article characteristics

Attribute	30426112V	30426112VS	30426112	30426112S	30426112PC	30426112SPC
Coding acc. to EN ISO 14119	Low		-			
Suitable for sensor type(s)	165...V		siehe Datenblatt			
Dimensions	96x28x14.5		88x25x14			
Housing material	Stahlguss		PBT			
Housing colour	-		Schwarz		Gelb	
Mounting type	screwed					