

Actuator 30426613

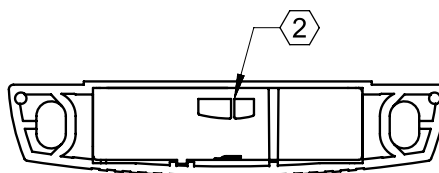
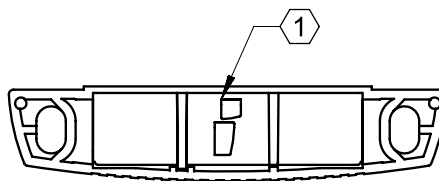
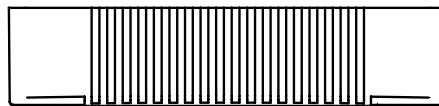
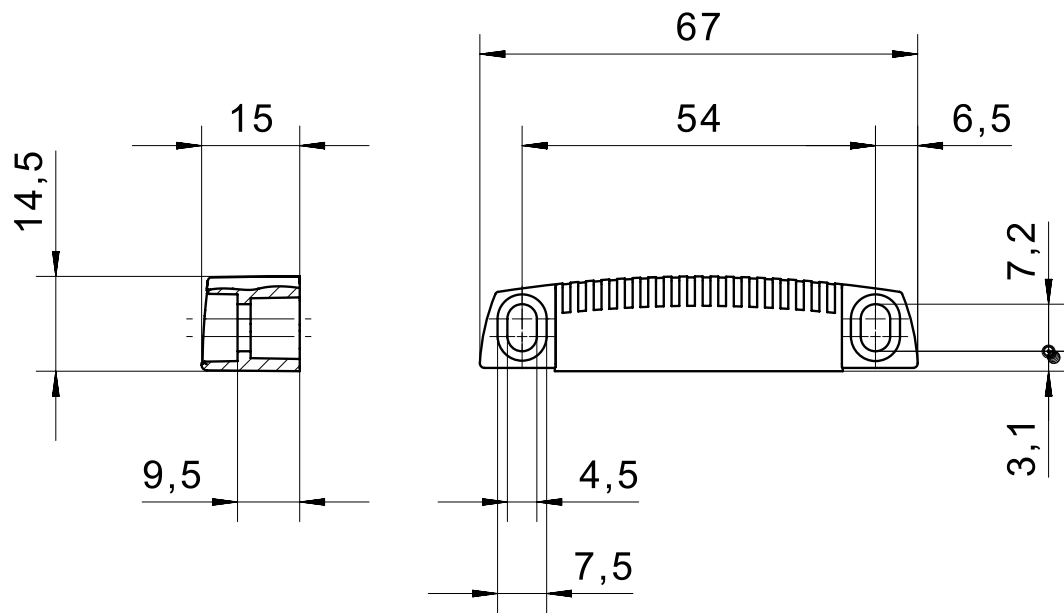
The 30426613 actuator is for use with the 166 safety sensors. The magnet system within the housing can be rotated, making it possible to actuate either from the front or by a rotation of 90°.

Product characteristics

- Flexibility in installation and use from variable actuation direction
- Hole dimensions compatible with 166 safety sensors for simple installation

Technical drawing

IMAGE 1/1



① 90° turned magnet system

② frontal magnet system

Article characteristics

| Attribute | 30426613 |
|-----------------------------|------------|
| Coding acc. to EN ISO 14119 | Low |
| Suitable for sensor type(s) | 166 |
| Dimensions | 67x14,5x15 |
| Housing material | PBT |
| Housing colour | grau |
| Mounting type | screwed |