



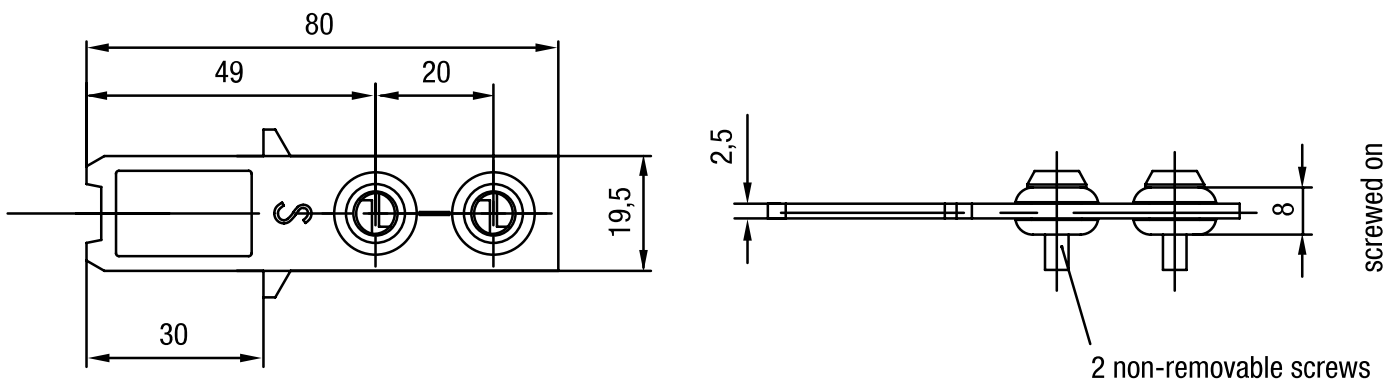
Actuator for safety interlocks ZBG5G

Technical specifications

- Overrun 5 mm
- Radius ≥ 300
- Material: stainless steel 1.4301, CR

Technical drawing

IMAGE 1/1



Article characteristics

Attribute	ZBG5G
Dimensions	29 x 80 x 8 mm (H/B/T)
Tensile force max.	3000 N
Door radius min.	300 mm
Overrun max.	5 mm
Usability of insertion funnel	no
Housing material	Betaetiger/Schraube Stahl rostfrei Gummituelle NBR
Mounting type	screwed
Installation	arbitrary