



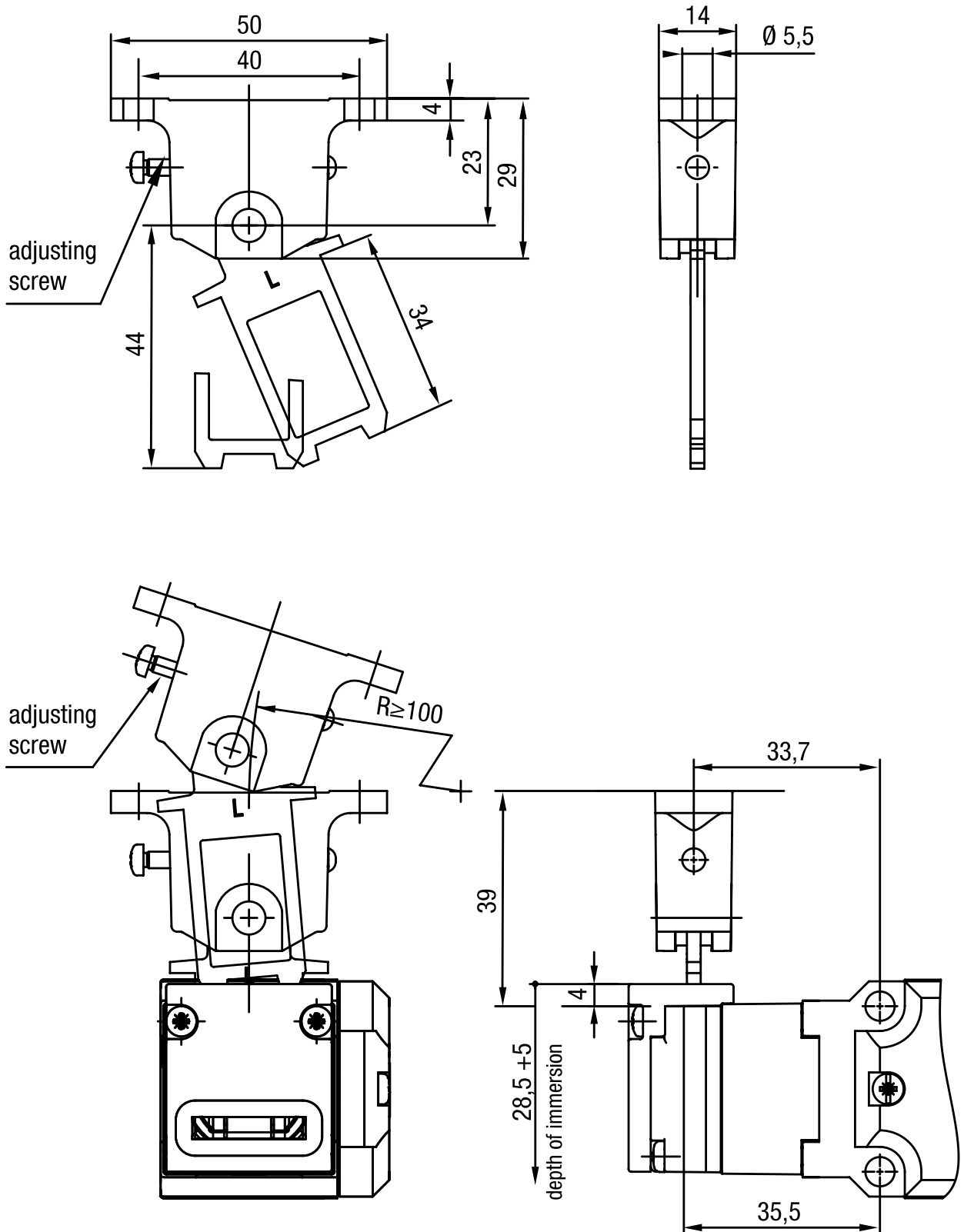
Actuator for safety interlocks ZBL5ME

Technical specifications

- Overrun 5 mm
- Radius ≥ 200 , ≤ 1000
- Material: stainless steel 1.4301, die-cast aluminium

Technical drawing

IMAGE 1/1



Article characteristics

| Attribute | ZBL5ME |
|-------------------------------|------------------------------------|
| Installation | arbitrary |
| Dimensions | 50 x 67 x 14 mm (H/B/T) |
| Door radius min. | 100 mm |
| Overrun max. | 5 mm |
| Usability of insertion funnel | yes |
| Housing material | Betaetiger/Schraube Stahl rostfrei |
| Mounting type | screwed |