



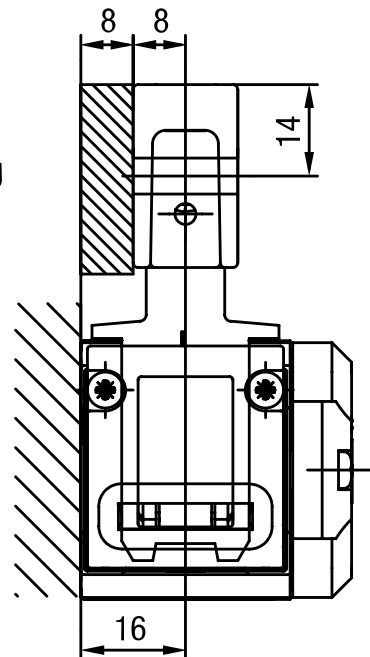
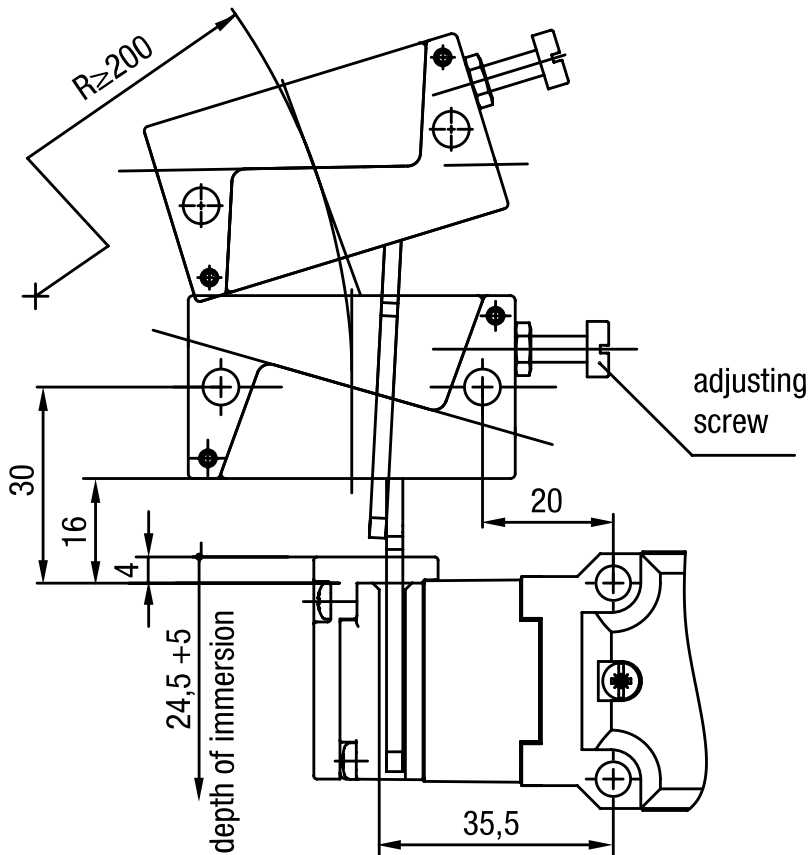
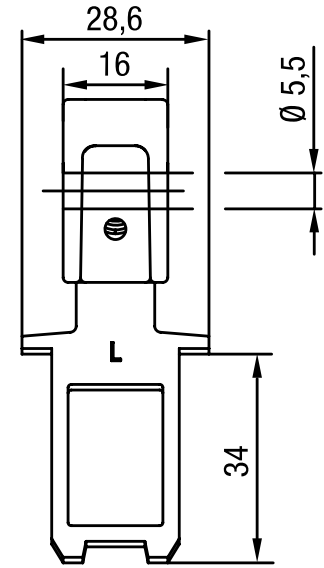
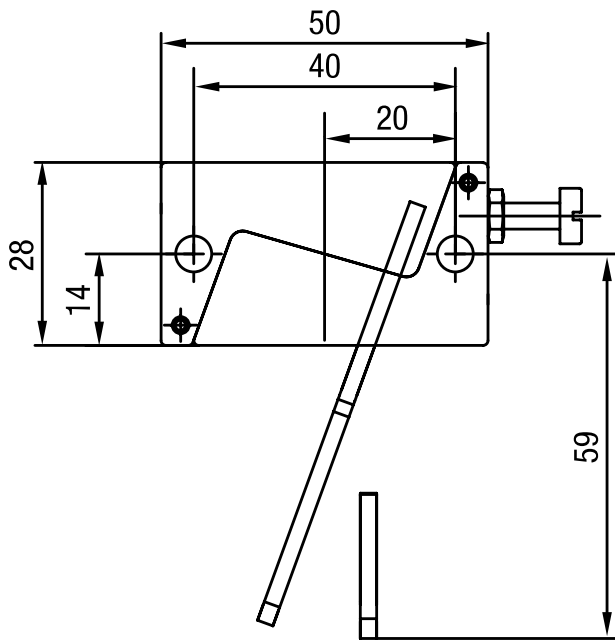
Actuator for safety interlocks ZBU5ME

Technical specifications

- Overrun 5 mm
- Radius ≥ 200 , ≤ 1000
- Material: stainless steel 1.4301, die-cast aluminium

Technical drawing

IMAGE 1/1



Article characteristics

Attribute	ZBU5ME
Dimensions	50 x 73 x 28,6 mm (H/B/T)
Door radius min.	200 mm
Overrun max.	5 mm
Usability of insertion funnel	yes
Housing material	Betaetiger/Schraube Stahl rostfrei
Mounting type	screwed
Installation	arbitrary