



## Circular connector M12 4-pin/5-pin/8-pin with coupling ring, plastic

### Product characteristics

- Good resistance to chemicals and oil
- ECOLAB approval
- High protection class and high temperature range to meet the demands of adverse industrial environments
- Suitable for all sensors and float switches with appropriate connection

### Technical drawing

IMAGE 1/9

K14.00.K

female M12

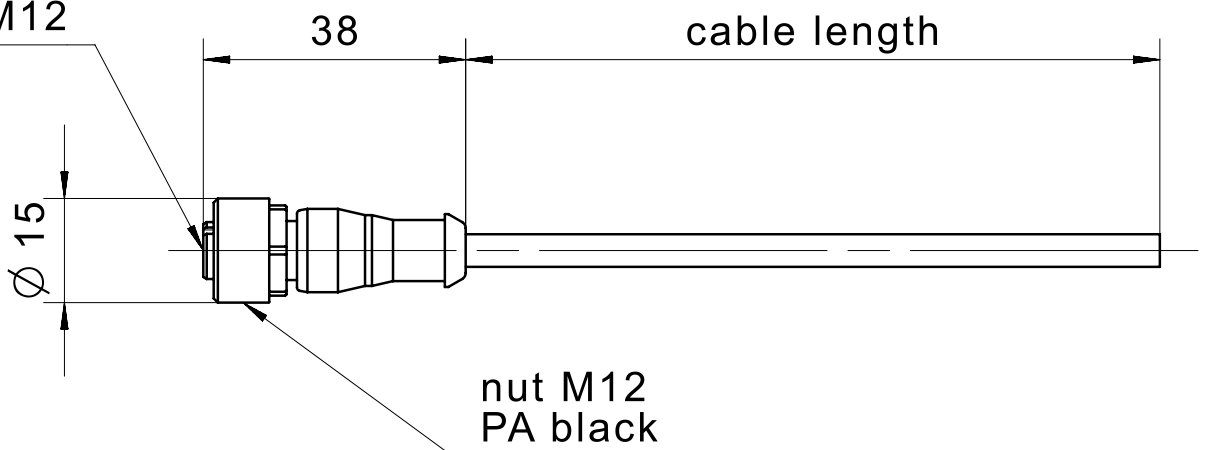


IMAGE 2/9

# female M12

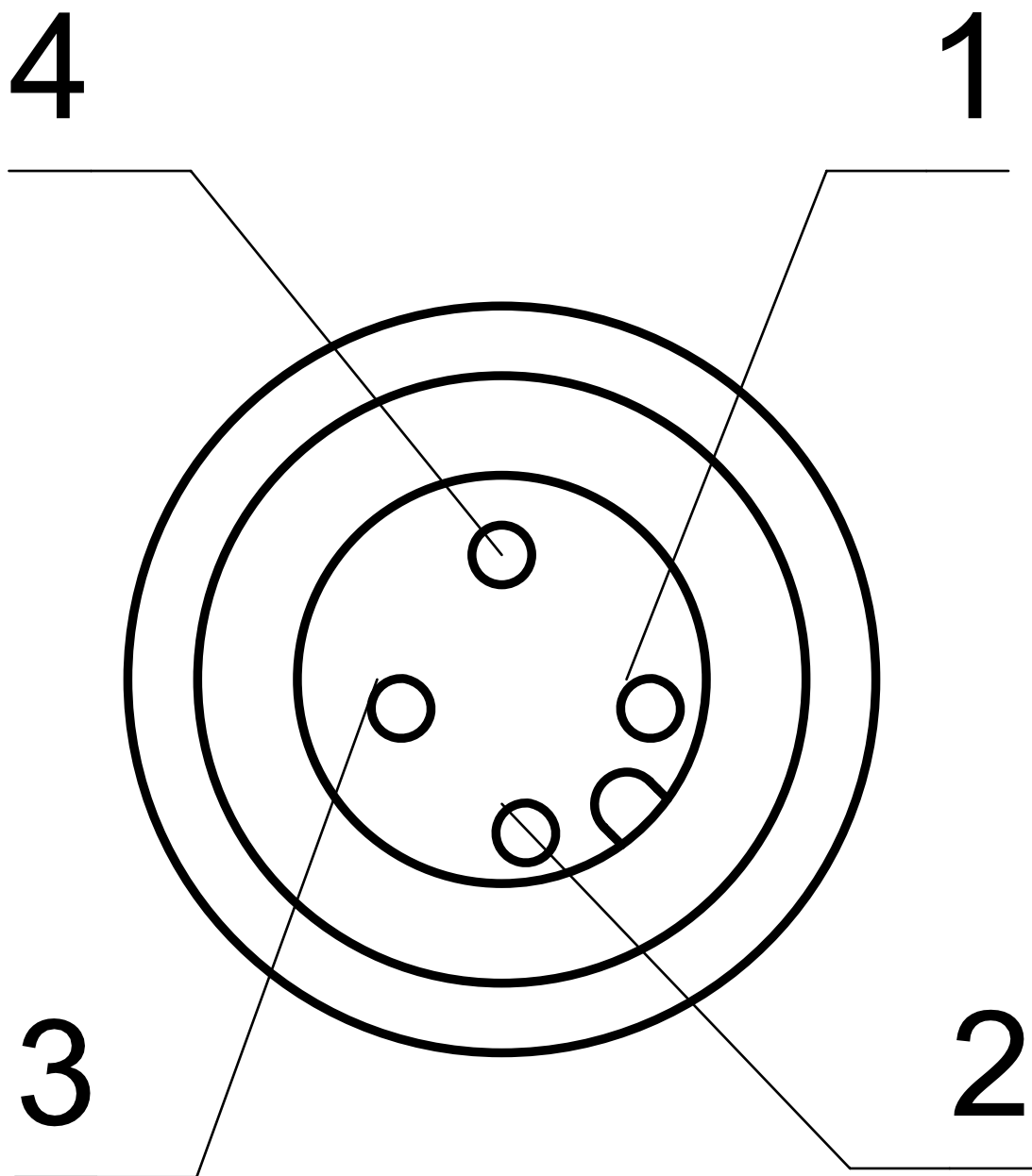


IMAGE 3/9

1 ) ————— **BN**

2 ) ————— **WH**

3 ) ————— **BU**

4 ) ————— **BK**

IMAGE 4/9

**K16.00.K**

female M12

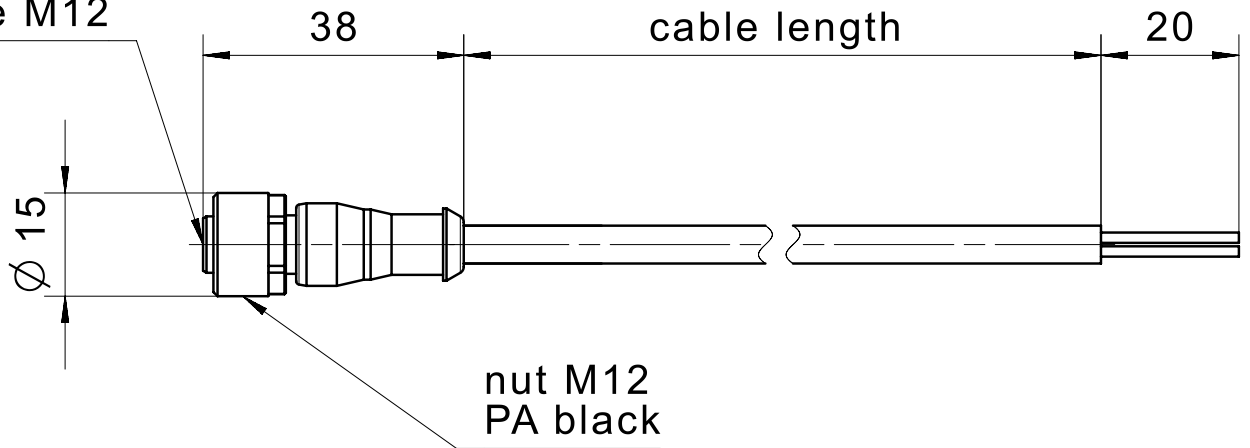


IMAGE 5/9

# female M12

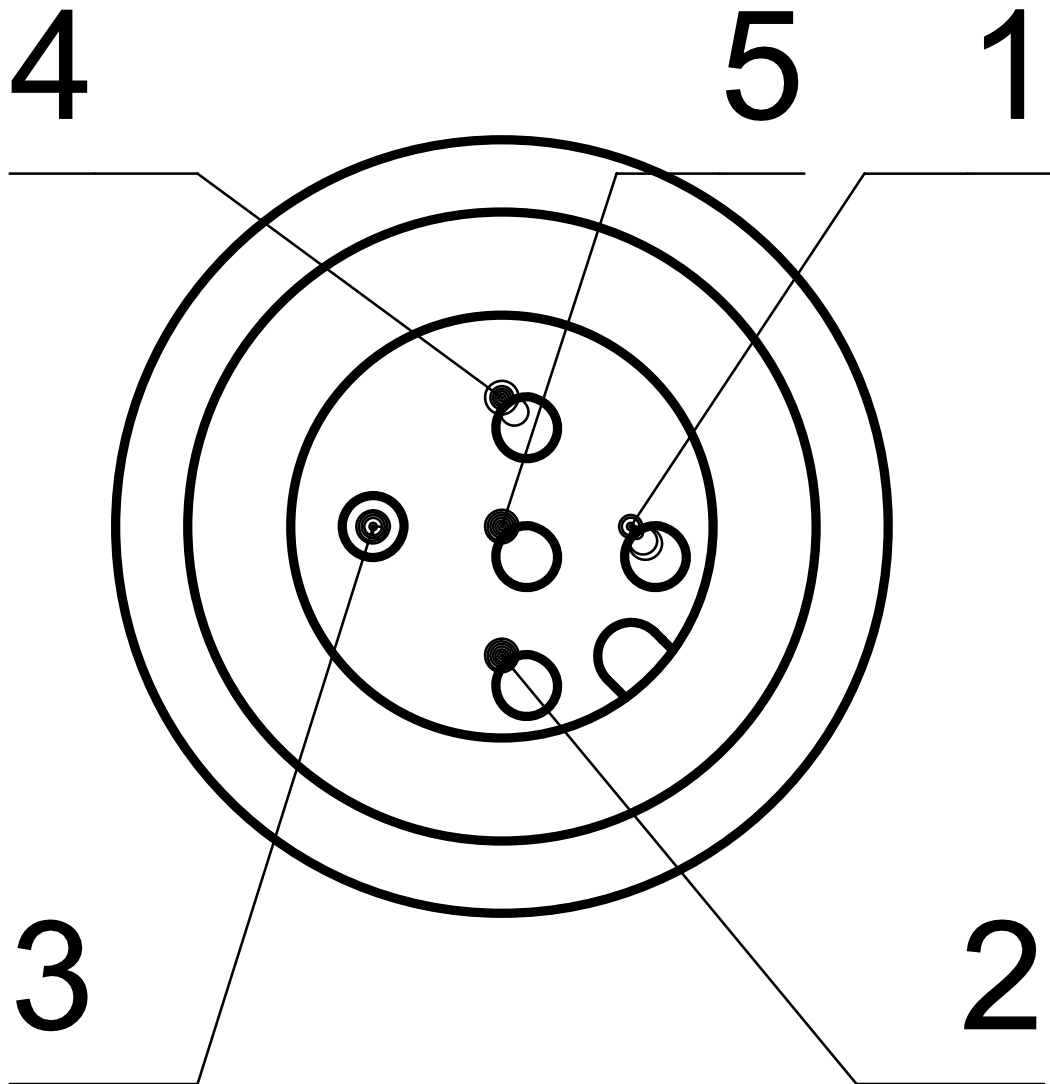


IMAGE 6/9

1 ) \_\_\_\_\_ **BN**

2 ) \_\_\_\_\_ **WH**

3 ) \_\_\_\_\_ **BU**

4 ) \_\_\_\_\_ **BK**

5 ) \_\_\_\_\_ **GY**

IMAGE 7/9

**K18.00.K**

female M12

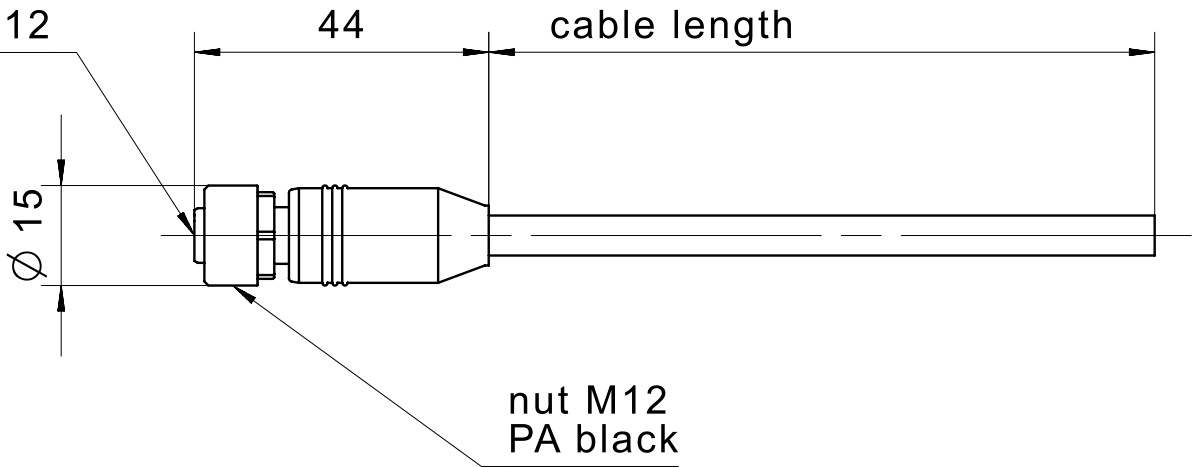


IMAGE 8/9

# female M12

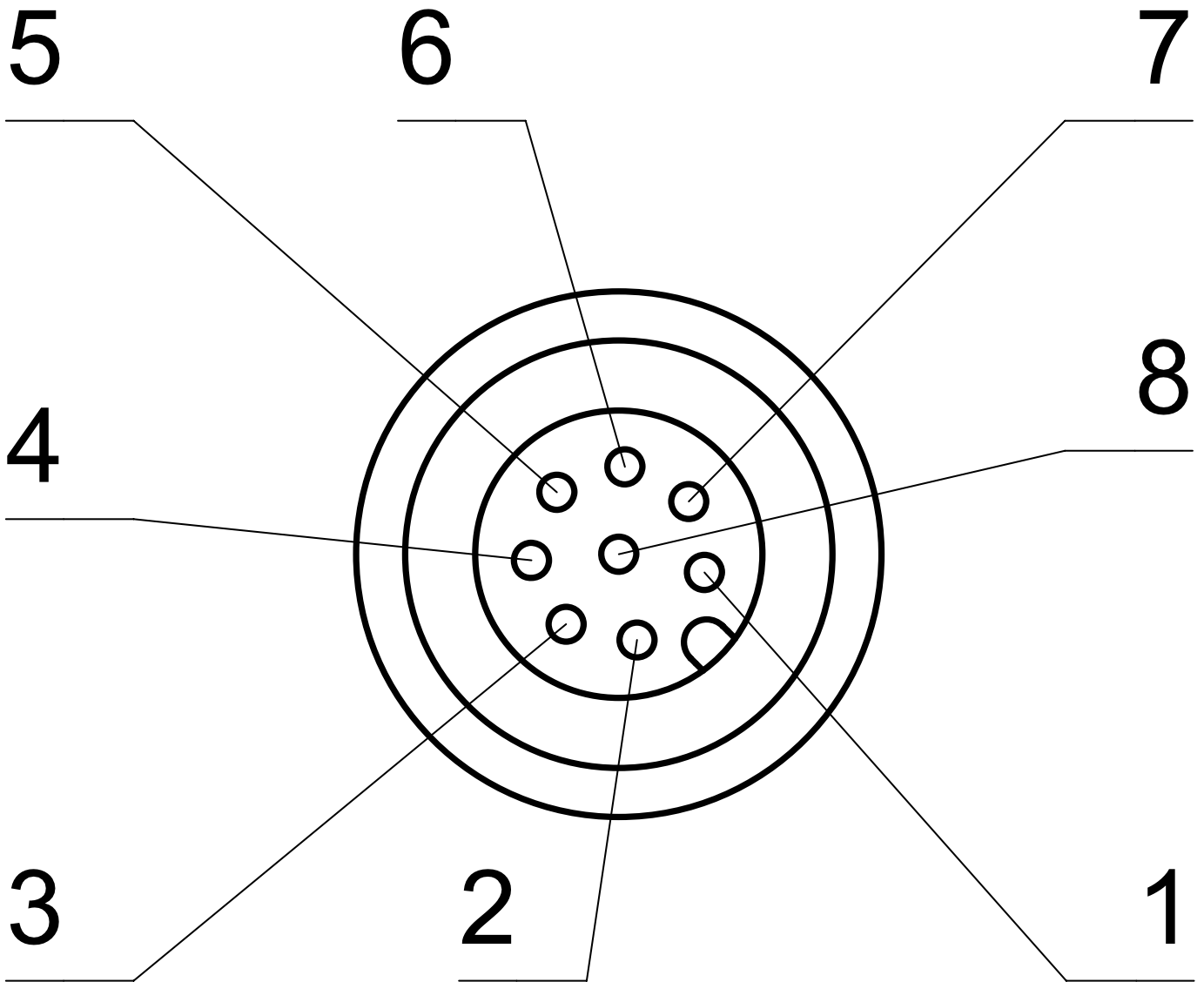




IMAGE 9/9

1 ) ————— **BN**

2 ) ————— **WH**

3 ) ————— **BU**

4 ) ————— **BK**

5 ) ————— **GY**

6 ) ————— **PK**

7 ) ————— **VT**

8 ) ————— **OG**

**Product options**

IMAGE 1/1

**ORDERING KEY**

K1			Circular connector M12 4-pin/5-pin/8-pin with coupling ring, plastic
	4G		Sheath material PVC, black, 4-pin
	6G		Sheath material PVC, black, 5-pin
	6H		Sheath material PUR, black, 5-pin
	8G		Sheath material PVC, black, 8-pin
		001K	Cable length 1m ± 30mm
		003K	Cable length 3m ± 40mm
		005K	Cable length 5m ± 60mm
		000K	Cable length 10m ± 80mm
			Other cable materials and cable lengths on request

### Article characteristics

Attribute	K14G...K	K16G...K	K16H...K	K18G...K
Max. switching current per contact	4 A			2 A
Rated impulse withstand voltage (Uimp)	2500 V	1500 V		800 V
Operating voltage max.	250 V DC	125 V DC		30 V DC
Operating voltage max.	250 V AC	125 V AC		30 V AC
Cable colour	Grey	Black		Grey
Cable material	PVC		PUR	PVC
Nut material	PA			
Overmould material	PUR	PVC	PUR	
Operating temperature min.	-30 °C		-40 °C	-30 °C
Max. operating temperature	80 °C			
Min. storage temperature	-30 °C		-40 °C	-30 °C
Max. storage temperature	80 °C			
Min. cable temperature range, moving	-5 °C		-25 °C	-5 °C
Max. cable temperature range, moving	80 °C			
Min. cable temperature range, fixed installation	-30 °C		-40 °C	-30 °C
Max. cable temperature range, fixed installation	80 °C			
Torque for nuts	0,6 N m			
Connector type	M12 socket, straight			
Cable diameter	4,7 mm	5,2 mm	5 mm	6 mm
Number of pins	4	5		8
Number of strands	4	5		8
Wire cross section	0.25 mm <sup>2</sup>	0.34 mm <sup>2</sup>		0.25 mm <sup>2</sup>
Cable length	Selectable (1m, 3m, 5m, 10m)			
Certified in accordance with	UL/CSA ECOLAB			