



Circular connector M12 4-pin/5-pin/8-pin with coupling ring, plastic

Product characteristics

- Good resistance to chemicals and oil
- ECOLAB approval
- High protection class and high temperature range to meet the demands of adverse industrial environments
- Suitable for all sensors and float switches with appropriate connection

Technical drawing

IMAGE 1/9

K14.00.K

female M12

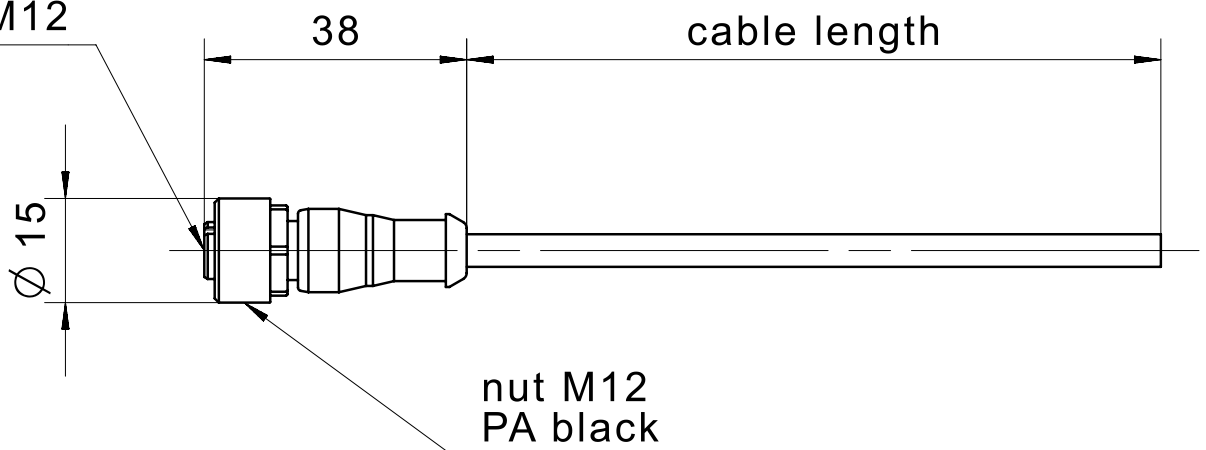


IMAGE 2/9

female M12

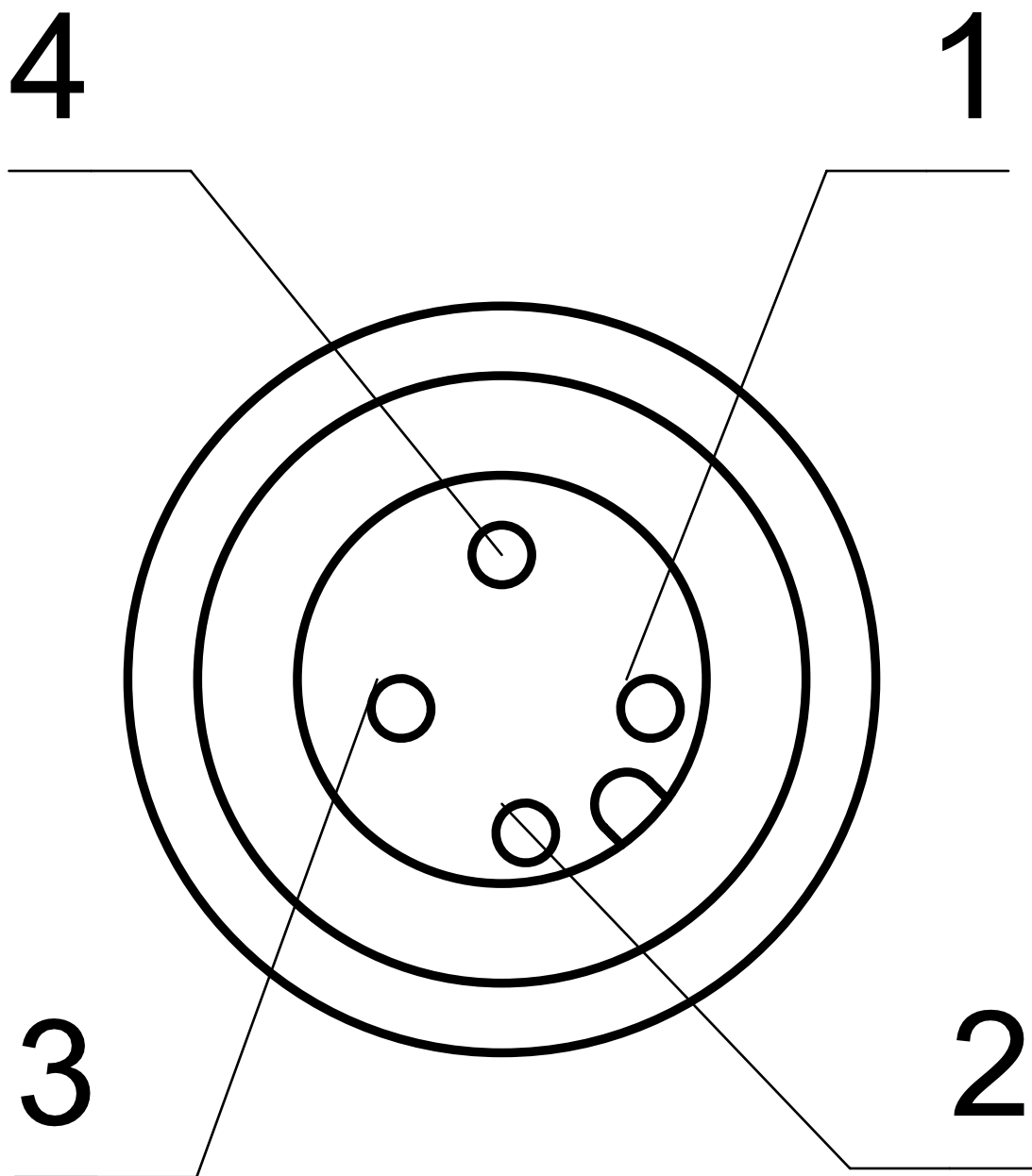


IMAGE 3/9

1) ————— **BN**

2) ————— **WH**

3) ————— **BU**

4) ————— **BK**

IMAGE 4/9

K16.00.K

female M12

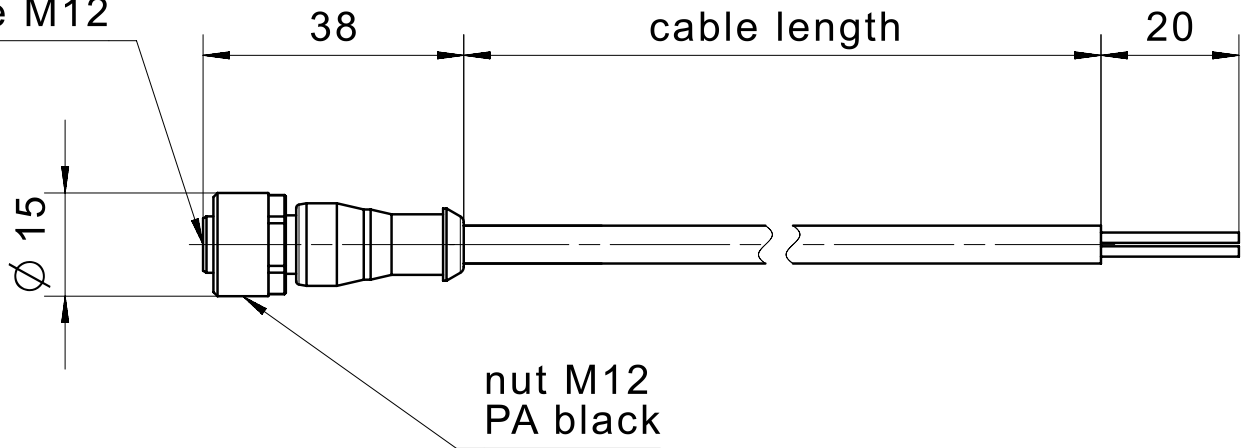


IMAGE 5/9

female M12

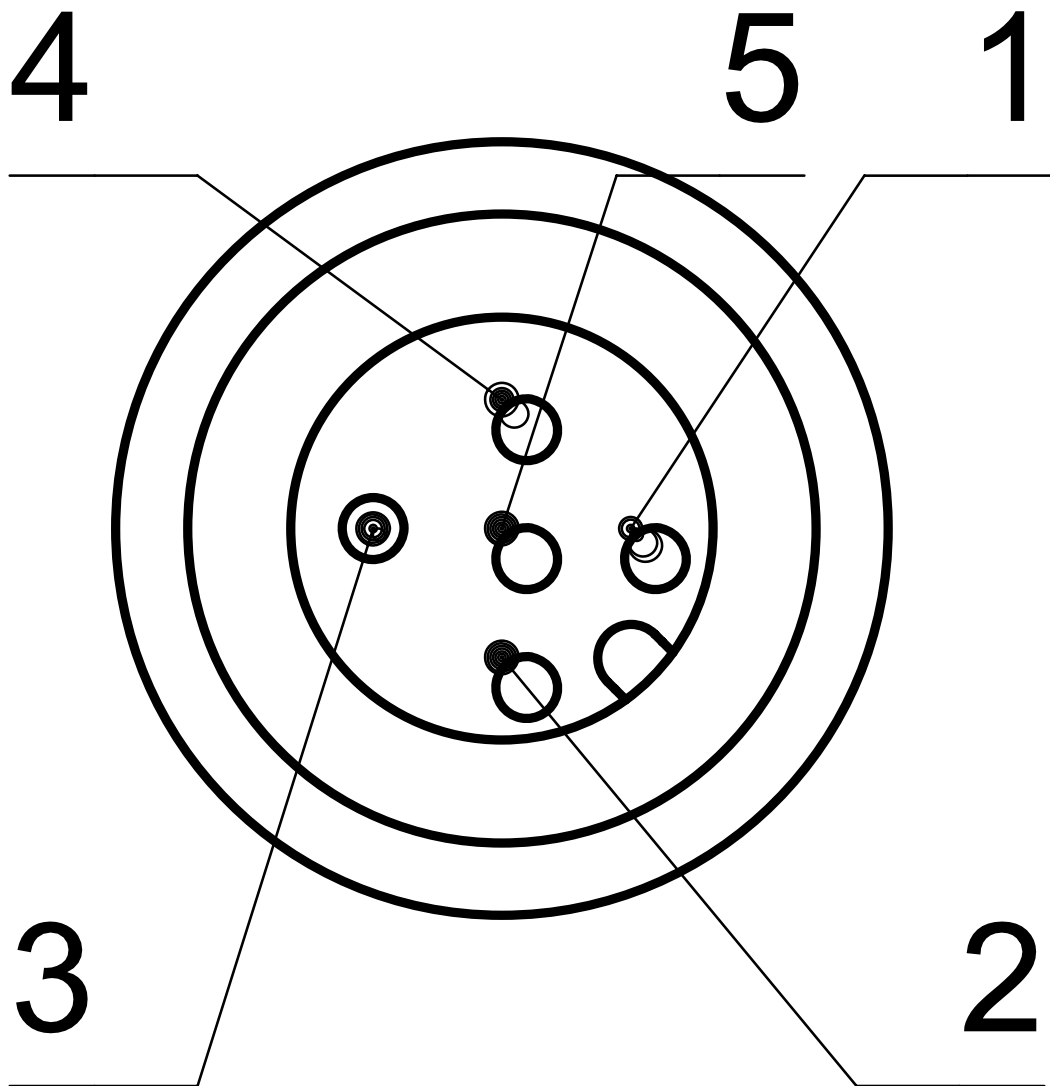


IMAGE 6/9

1) _____ **BN**

2) _____ **WH**

3) _____ **BU**

4) _____ **BK**

5) _____ **GY**

IMAGE 7/9

K18.00.K

female M12

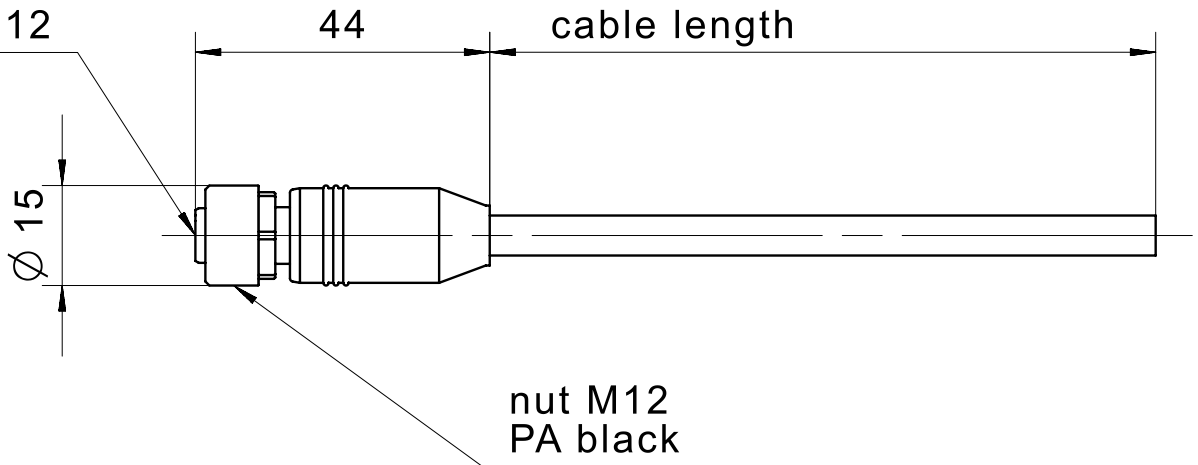


IMAGE 8/9

female M12

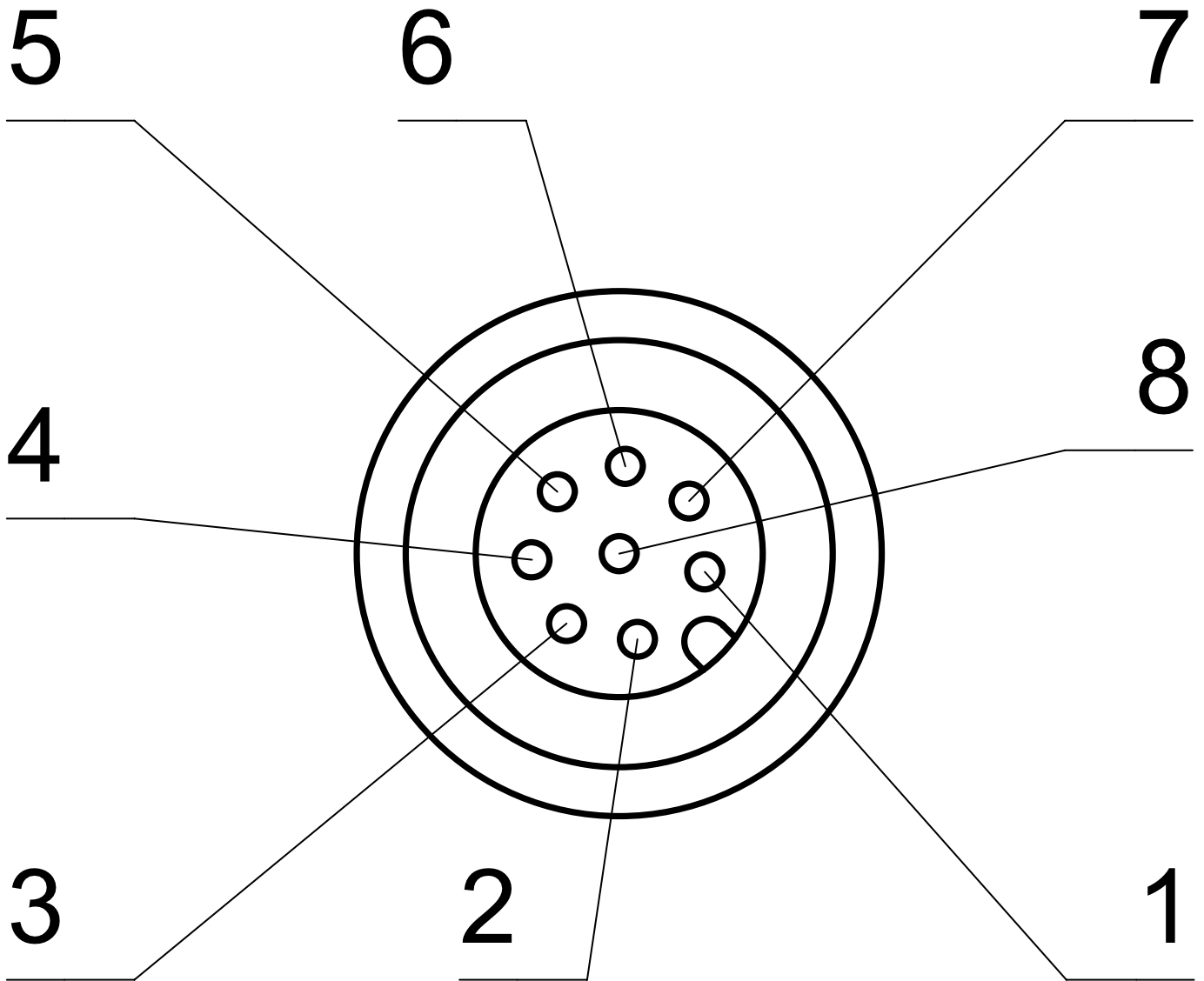


IMAGE 9/9

1) ————— **BN**

2) ————— **WH**

3) ————— **BU**

4) ————— **BK**

5) ————— **GY**

6) ————— **PK**

7) ————— **VT**

8) ————— **OG**

Product options

IMAGE 1/1

ORDERING KEY

K1			Circular connector M12 4-pin/5-pin/8-pin with coupling ring, plastic
	4G		Sheath material PVC, black, 4-pin
	6G		Sheath material PVC, black, 5-pin
	6H		Sheath material PUR, black, 5-pin
	8G		Sheath material PVC, black, 8-pin
		001K	Cable length 1m ± 30mm
		003K	Cable length 3m ± 40mm
		005K	Cable length 5m ± 60mm
		000K	Cable length 10m ± 80mm
			Other cable materials and cable lengths on request

Article characteristics

Attribute	K14G...K	K16G...K	K16H...K	K18G...K
Max. switching current per contact	4 A			2 A
Rated impulse withstand voltage (Uimp)	2500 V	1500 V		800 V
Operating voltage max.	250 V DC	125 V DC		30 V DC
Operating voltage max.	250 V AC	125 V AC		30 V AC
Cable colour	Grey	Black		Grey
Cable material	PVC		PUR	PVC
Nut material	PA			
Overmould material	PUR	PVC	PUR	
Operating temperature min.	-30 °C		-40 °C	-30 °C
Max. operating temperature	80 °C			
Min. storage temperature	-30 °C		-40 °C	-30 °C
Max. storage temperature	80 °C			
Min. cable temperature range, moving	-5 °C		-25 °C	-5 °C
Max. cable temperature range, moving	80 °C			
Min. cable temperature range, fixed installation	-30 °C		-40 °C	-30 °C
Max. cable temperature range, fixed installation	80 °C			
Torque for nuts	0,6 N m			
Connector type	M12 socket, straight			
Cable length	10 m			
Cable diameter	4,7 mm	5,2 mm	5 mm	6 mm
Number of pins	4	5		8
Number of strands	4	5		8
Wire cross section	0.25 mm ²	0.34 mm ²		0.25 mm ²
Certified in accordance with	UL/CSA ECOLAB			