



Circular connector M12 4-pin/5-pin, angled, with coupling ring, plastic

Product characteristics

- Good resistance to chemicals and oil
- ECOLAB approval
- High protection class and high temperature range to meet the demands of adverse industrial environments
- Suitable for all sensors and float switches with appropriate connection

Technical drawing

IMAGE 1/6

K15.00.

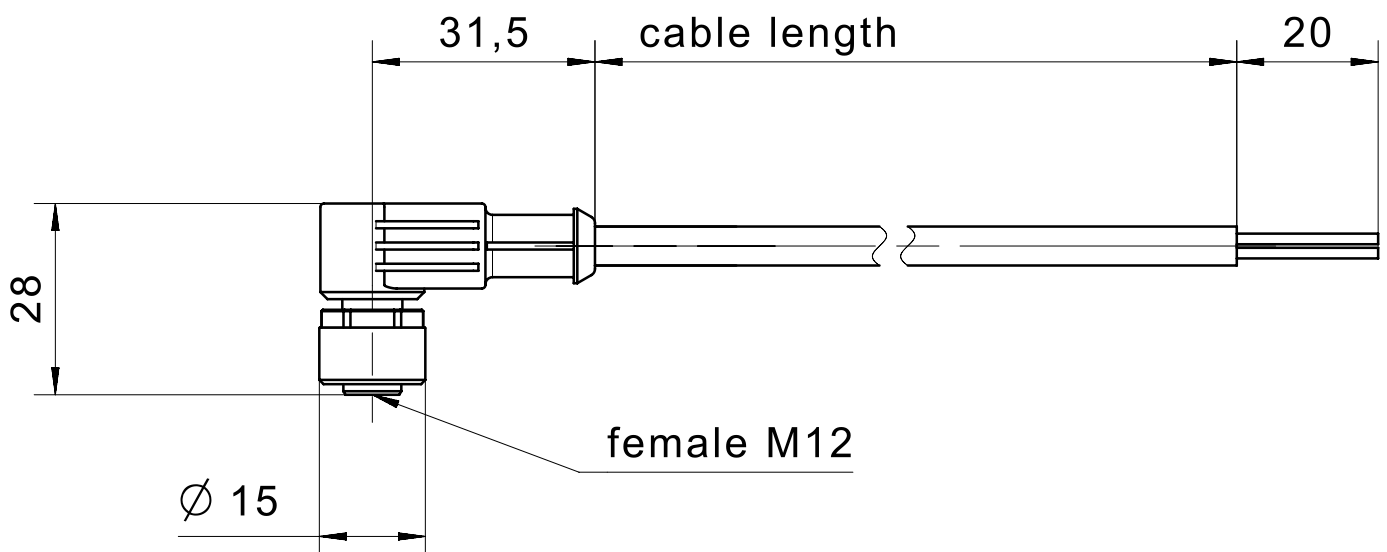


IMAGE 2/6

female M12

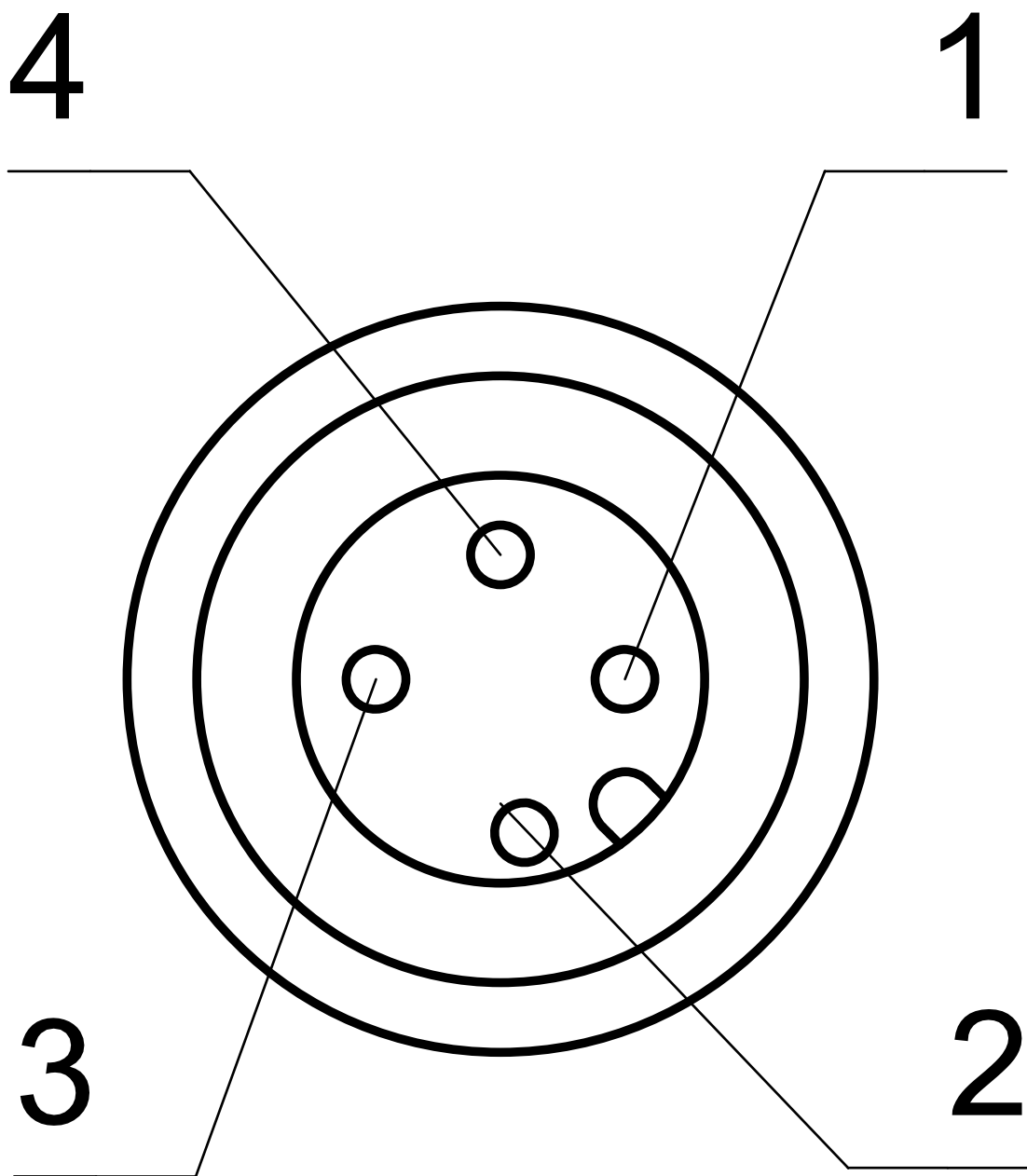


IMAGE 3/6

1) _____ **BN**

2) _____ **WH**

3) _____ **BU**

4) _____ **BK**

IMAGE 4/6

K17.00.

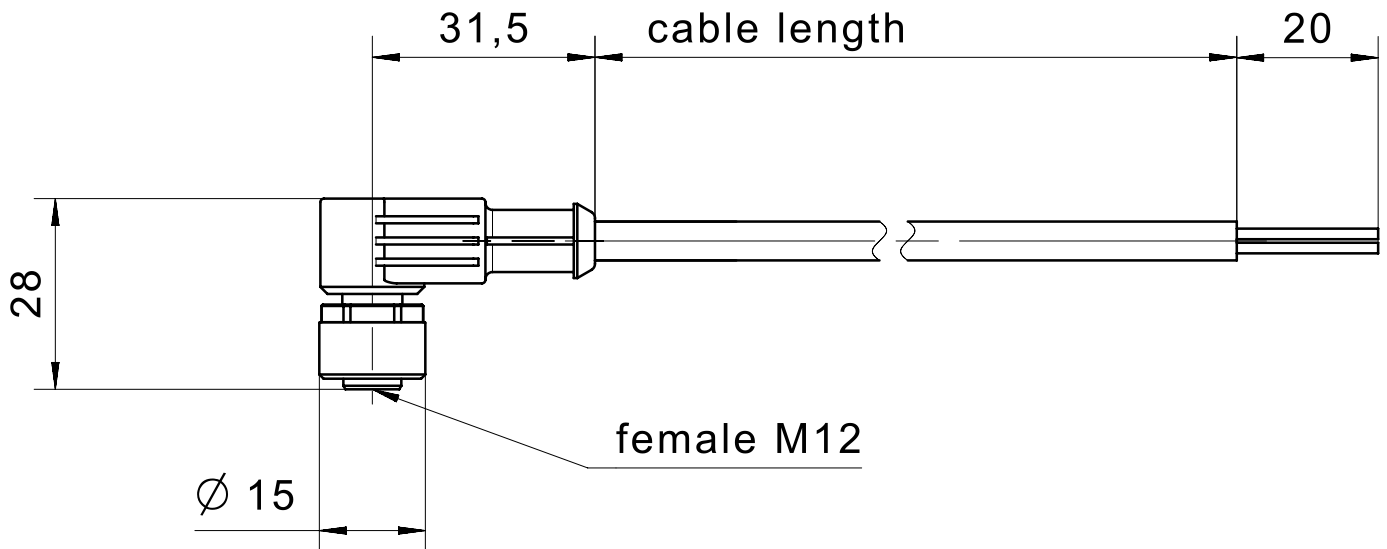


IMAGE 5/6

female M12

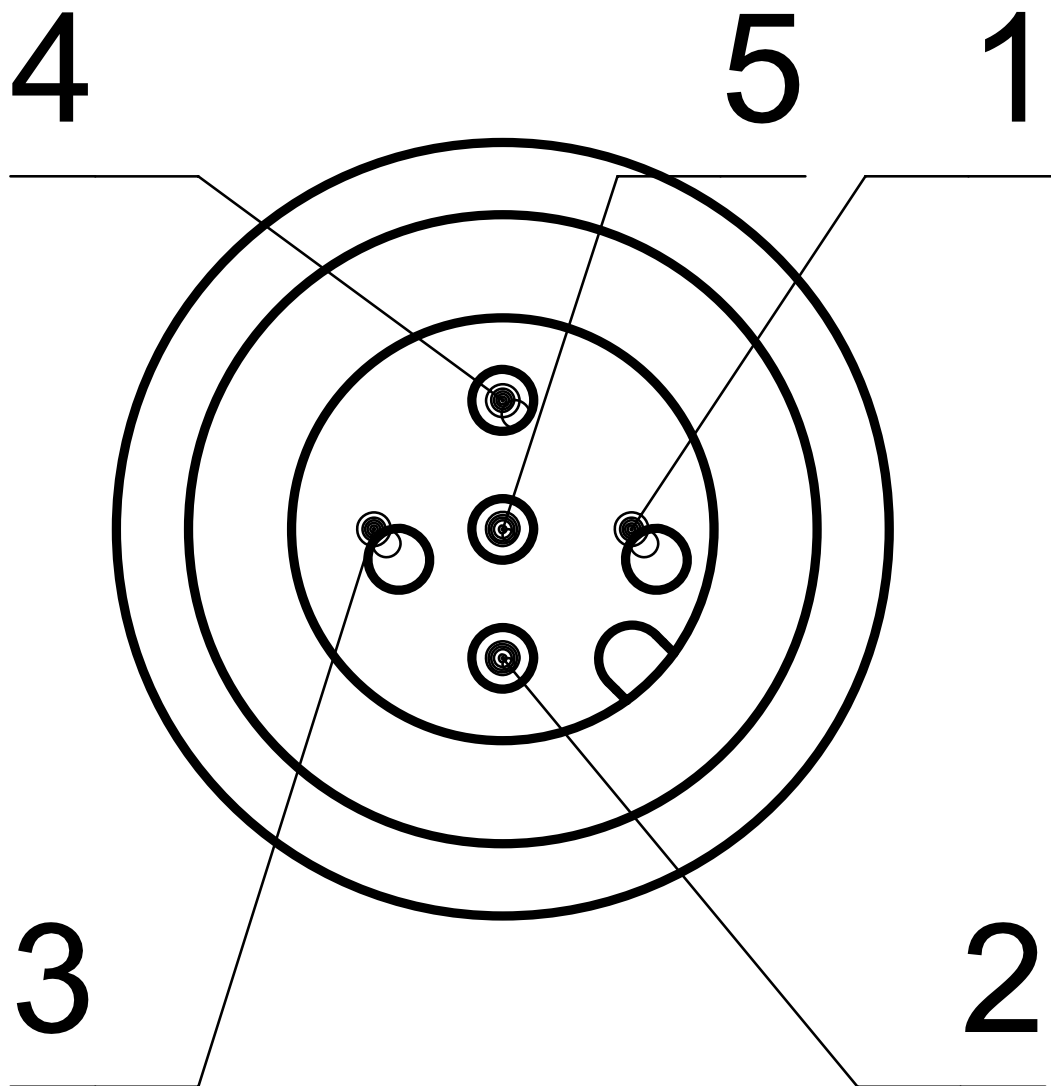


IMAGE 6/6

1) _____ **BN**

2) _____ **WH**

3) _____ **BU**

4) _____ **BK**

5) _____ **GY**

Product options

IMAGE 1/1

ORDERING KEY

K1			Circular connector M12 4-pin/5-pin, angled, with coupling ring, plastic
	5G		Sheath material PVC, black, 4-pin
	5H		Sheath material PUR, black, 4-pin
	7G		Sheath material PVC, black, 5-pin
	7H		Sheath material PUR, black, 5-pin
		001K	Cable length 1m ± 30mm
		003K	Cable length 3m ± 40mm
		005K	Cable length 5m ± 60mm
		000K	Cable length 10m ± 80mm
			Other cable materials and cable lengths on request

Article characteristics

Attribute	K15G...K	K15H...K	K17G...K	K17H...K
Max. switching current per contact	4 A			
Rated impulse withstand voltage (Uimp)	2500 V		1500 V	
Operating voltage max.	250 V DC		125 V DC	
Operating voltage max.	250 V AC		125 V AC	
Cable colour	Black			
Cable material	PVC	PUR	PVC	PUR
Nut material	PA			
Overmould material	PVC	PUR	PVC	PUR
Min. storage temperature	-30 °C	-40 °C	-30 °C	-40 °C
Max. storage temperature	80 °C			
Min. cable temperature range, moving	-5 °C	-25 °C	-5 °C	-25 °C
Max. cable temperature range, moving	80 °C			
Min. cable temperature range, fixed installation	-30 °C	-40 °C	-30 °C	-40 °C
Max. cable temperature range, fixed installation	80 °C			
Torque for nuts	0,6 N m			
Connector type	M12 socket, angled			
Cable diameter	5 mm	4,7 mm	5,2 mm	5 mm
Number of pins	4		5	
Number of strands	4		5	
Wire cross section	0.34 mm ²			
Cable length	Selectable (1m, 3m, 5m, 10m)			
Certified in accordance with	UL/CSA ECOLAB			