



## Circular connector M12 4-pin

### Product characteristics

- High protection class as well as high temperature range to meet the demands of adverse industrial environments
- Circular connector for customised assembly

### Technical drawing

IMAGE 1/6

351150

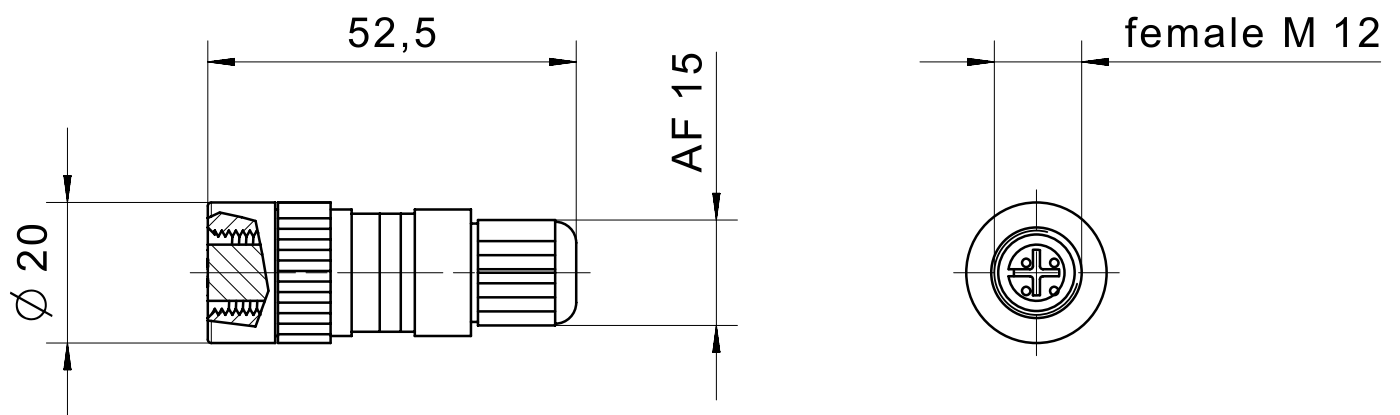
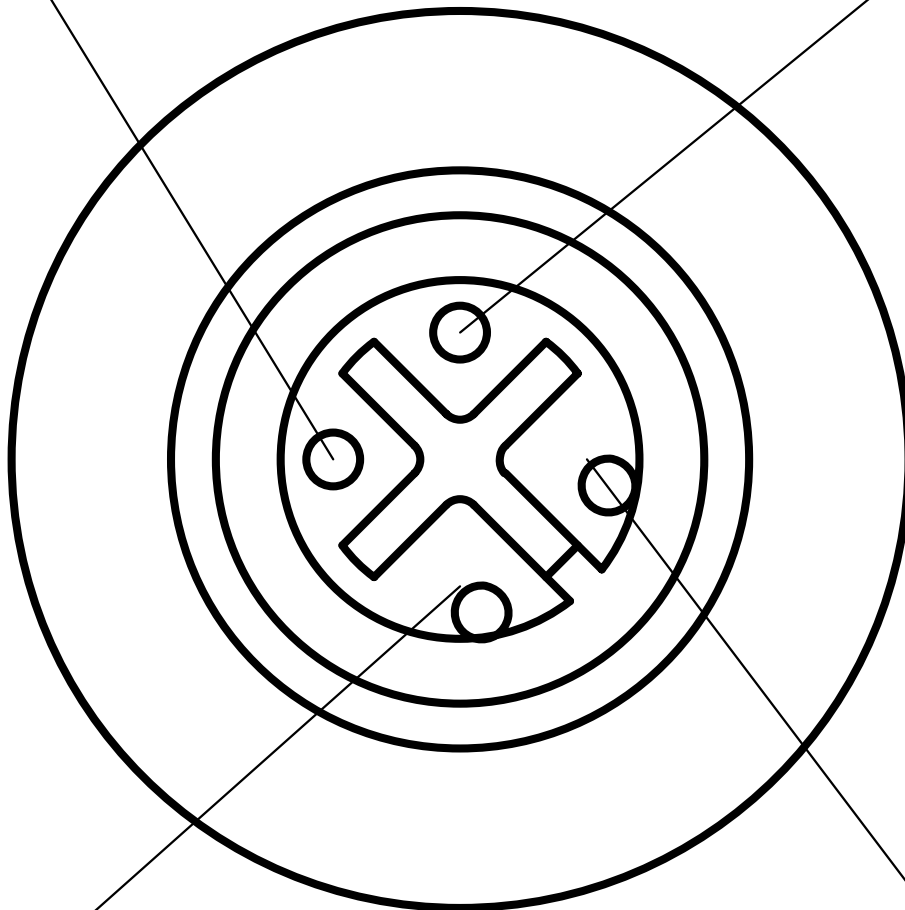


IMAGE 2/6

# female M12

3

4



2

1

IMAGE 3/6

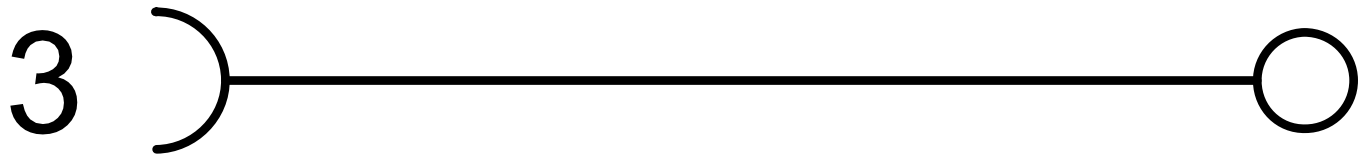
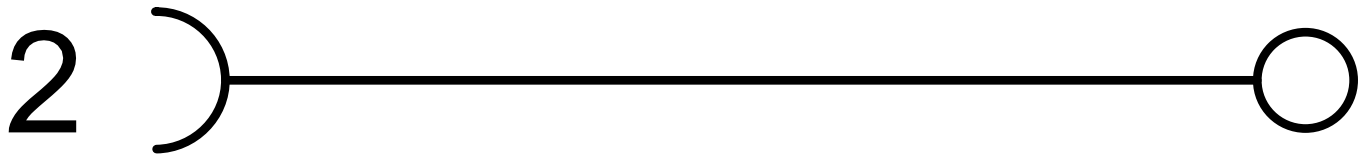
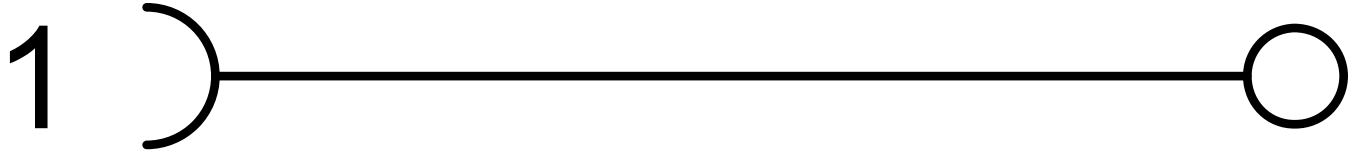


IMAGE 4/6

351151

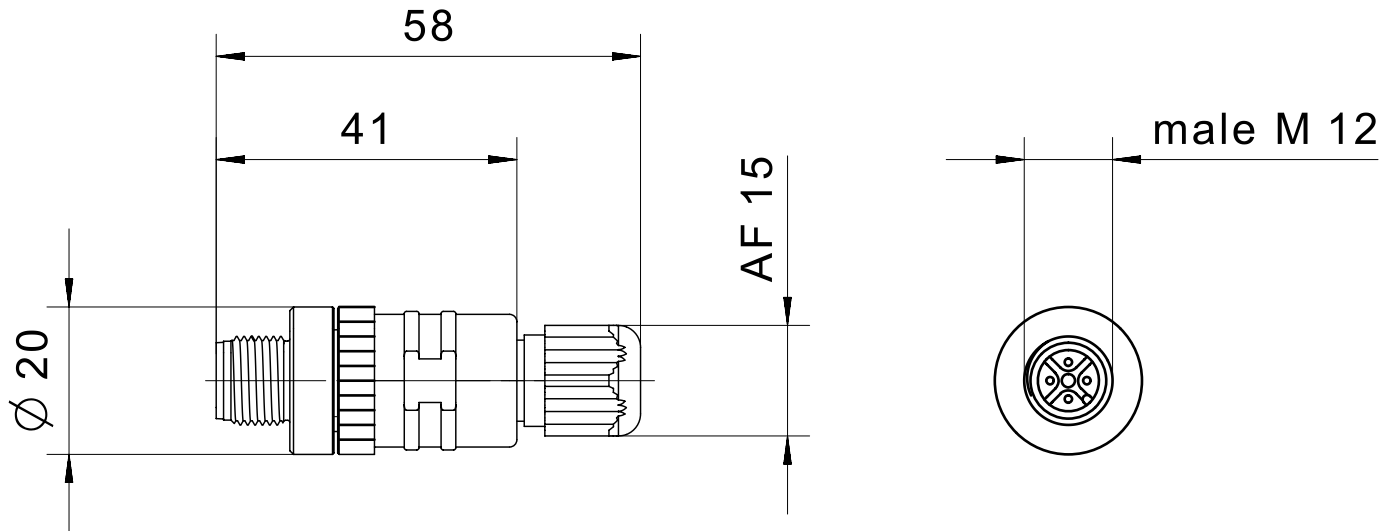
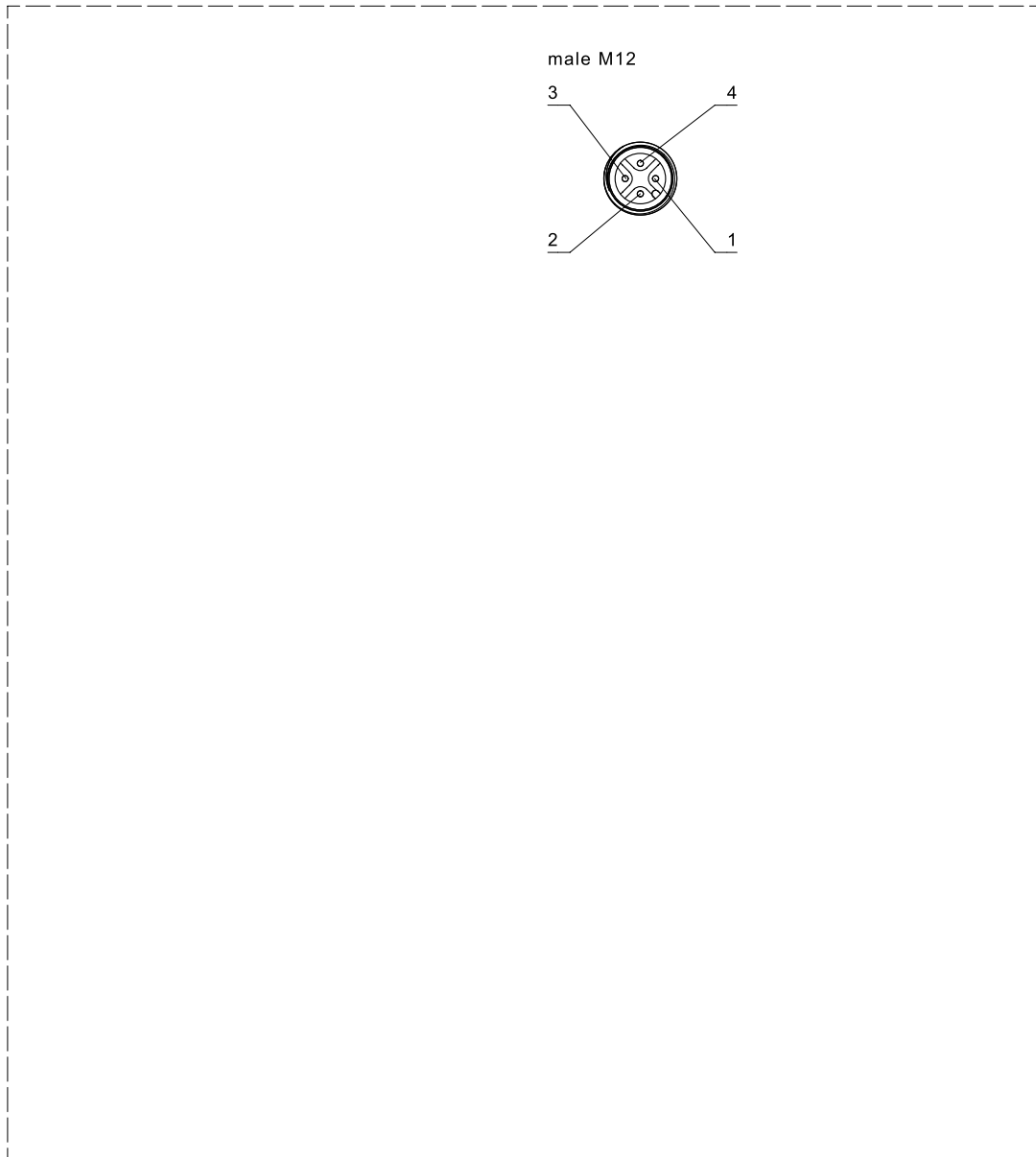


IMAGE 5/6




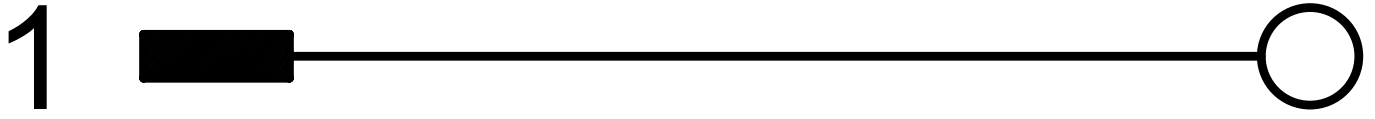
 Status	Maßstab		Benennung
	Revision	E	Kupplungsdose
	Gepr. Datum	29.03.19	Nummer
	Geprüft	pr1mi	Cat_351151

IMAGE 6/6



**Product options**

IMAGE 1/1

**ORDERING KEY**

<b>351</b>		<b>Circular connector, 4-pin</b>
	<b>152</b>	<b>Coupling socket M8</b>
	<b>153</b>	<b>Coupling connector M8</b>
	<b>150</b>	<b>Coupling socket M12</b>
	<b>151</b>	<b>Coupling connector M12</b>
		more coupling sockets / connectors on request

**Article characteristics**

Attribute	351150	351151
Max. switching current per contact	4 A	
Rated impulse withstand voltage (Uimp)	2500 V	
Operating voltage max.	240 V DC	
Operating voltage max.	240 V AC	
Nut material	CuZi nickel-plated	
Overmould material	PA	
Operating temperature min.	-40 °C	
Max. operating temperature	85 °C	
Min. storage temperature	-40 °C	
Max. storage temperature	85 °C	
Pollution degree	3	
Torque for nuts	0,5 N m	
Connector type	M12 socket, straight	M12 connector, straight
Cable diameter	3 - 6,5 mm	
Number of pins	4	
Connection type	Screw connection	
Min. connection cross section	0.14 mm <sup>2</sup>	
Max. connection cross section	0.75 mm <sup>2</sup>	
Certified in accordance with	UL 2238/CSA22.2	