



## Compact Joystick J2 with 321 G Handle

A proven combination: The compact joystick with the 321G handle. The product features up to 6 nano push button switches, which can be defined via the configurator.

The 321G handle enables a wide range of options for machine operators. Up to 6 push button switches or 4 push button switches and a thumbwheel switch can be defined in the configurator. The joystick grip conforms to EU 167/2013 (Mother Regulation) and corresponds to protection class IP5K4.

Ideal for controlling front loader functions on tractors.

- High reliability and long service life thanks to contactless Hall-effect and reed technology
- Different output signals are possible: analogue, redundant, CAN bus connection (CANopen / SAE J1939) or with switching output
- Deflection  $\pm 20^\circ$
- Available with various actuation types such as no detent / detent
- Back-printed and abrasion-resistant push button switches can be defined via the configurator. Backlight and function light possible on request.
- Conforms to EU 167/2013 (Mother Regulation) and corresponds to protection class IP5K4.

Technical drawing

IMAGE 1/3

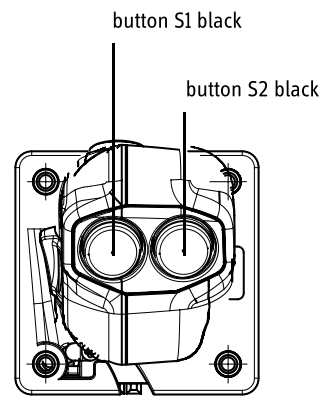
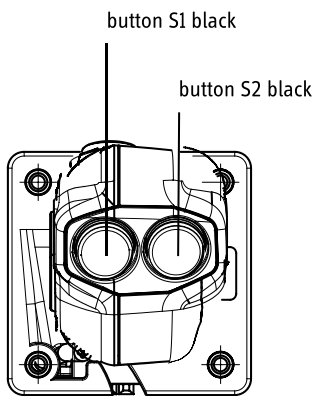
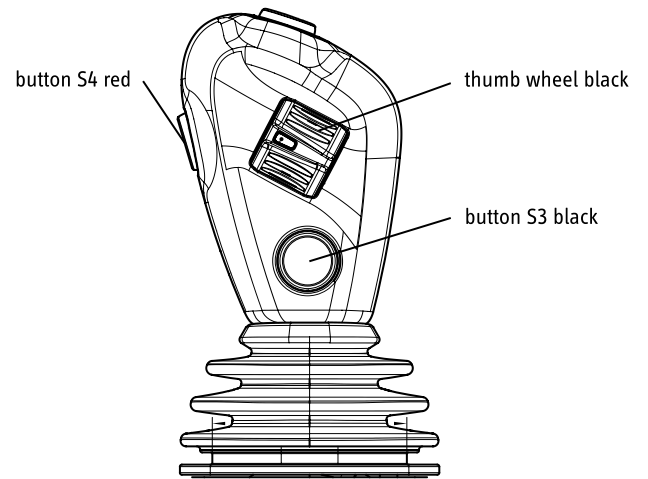
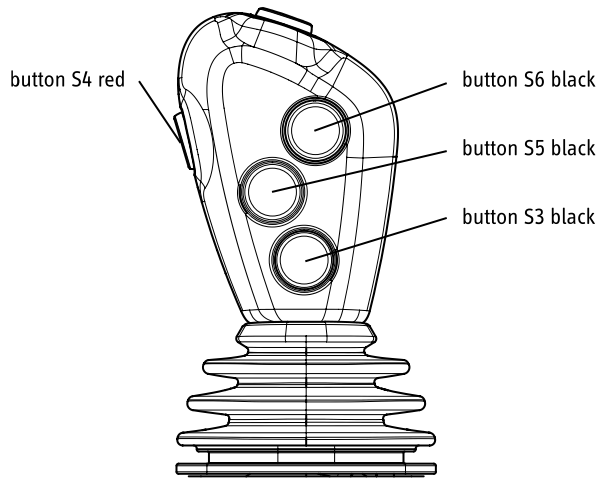


IMAGE 2/3

## Installation opening for 321G handle

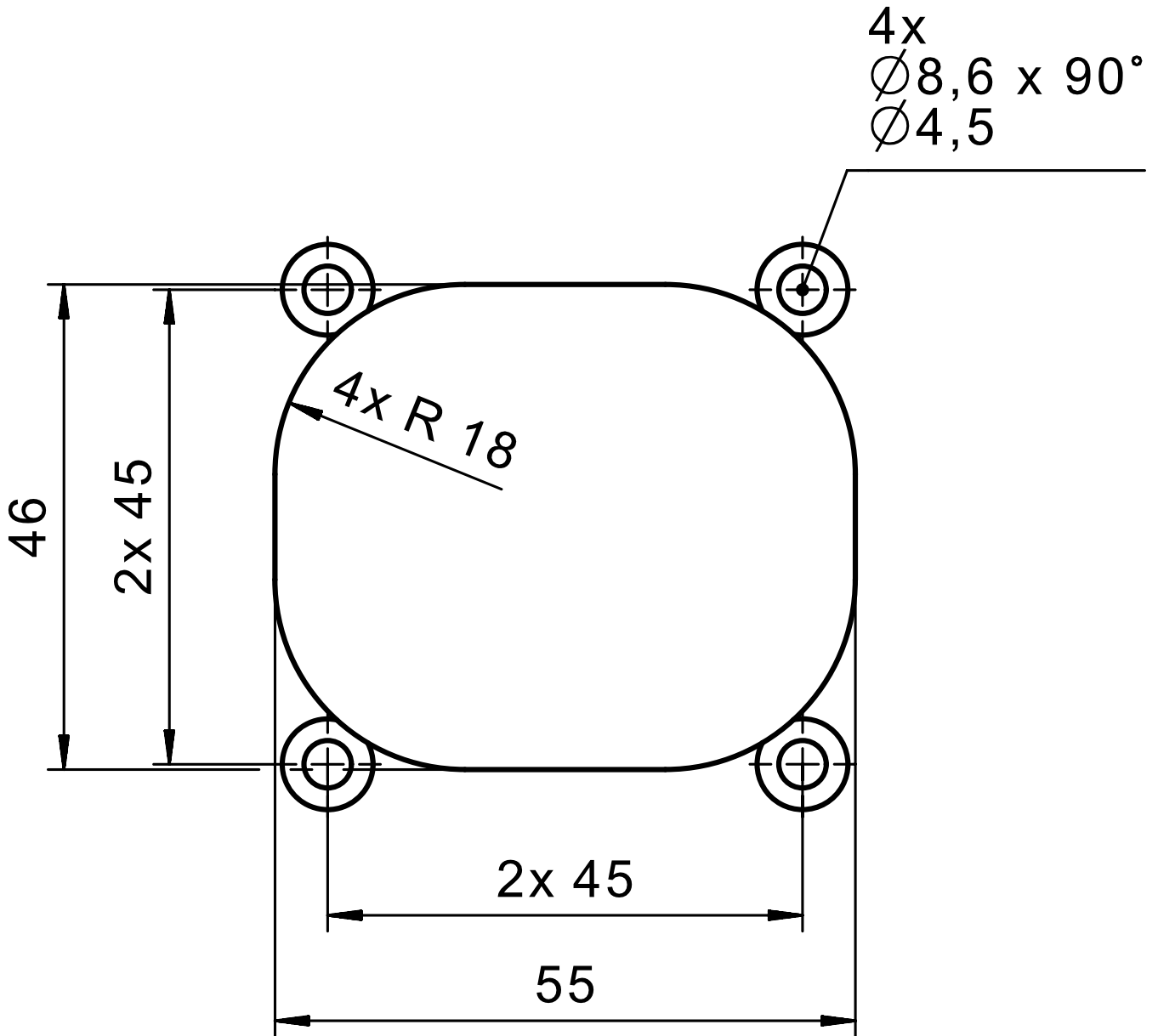
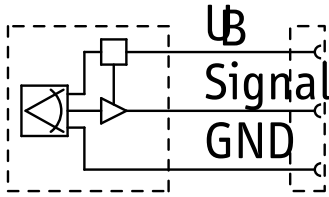


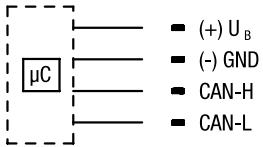
IMAGE 3/3

### Standard

**Analogue each  
X- and Y-axis**

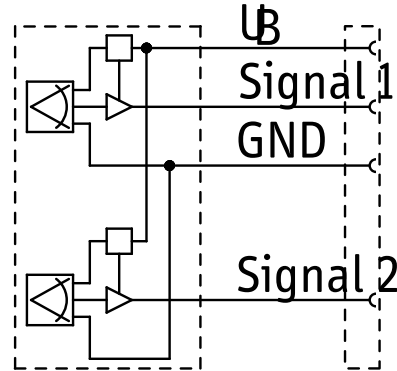


### CAN



### Optional

**Redundant each  
X- und Y-axis**



**Semi-redundant each  
X- and Y-axis**

