



Connection cable K5.G

Product characteristics

- Preassembled connection cable sets
- Straight and angled versions available
- • M12 connector and socket, compatible with all sensors and T-connectors with 4-pin/8-pin circular connector and M12 thread
- High protection class
- Various cable lengths available

Technical drawing

IMAGE 1/9

K54G00.K

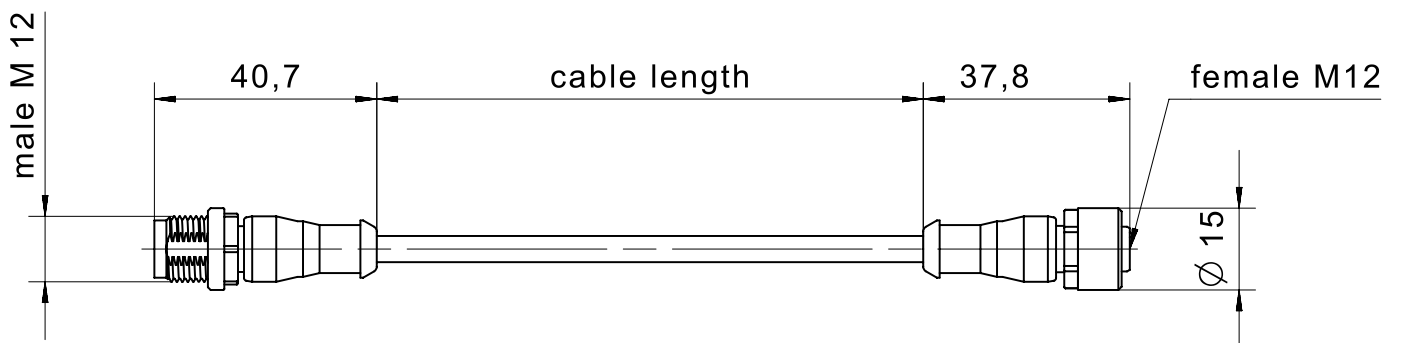
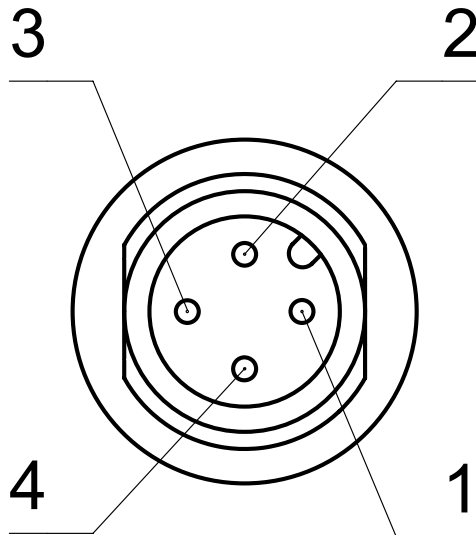


IMAGE 2/9

male M12



female M12

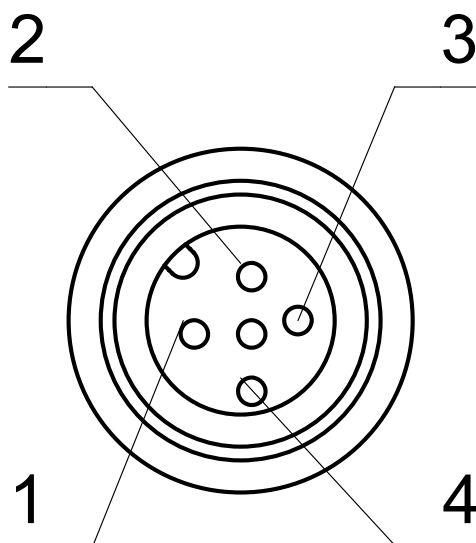


IMAGE 3/9

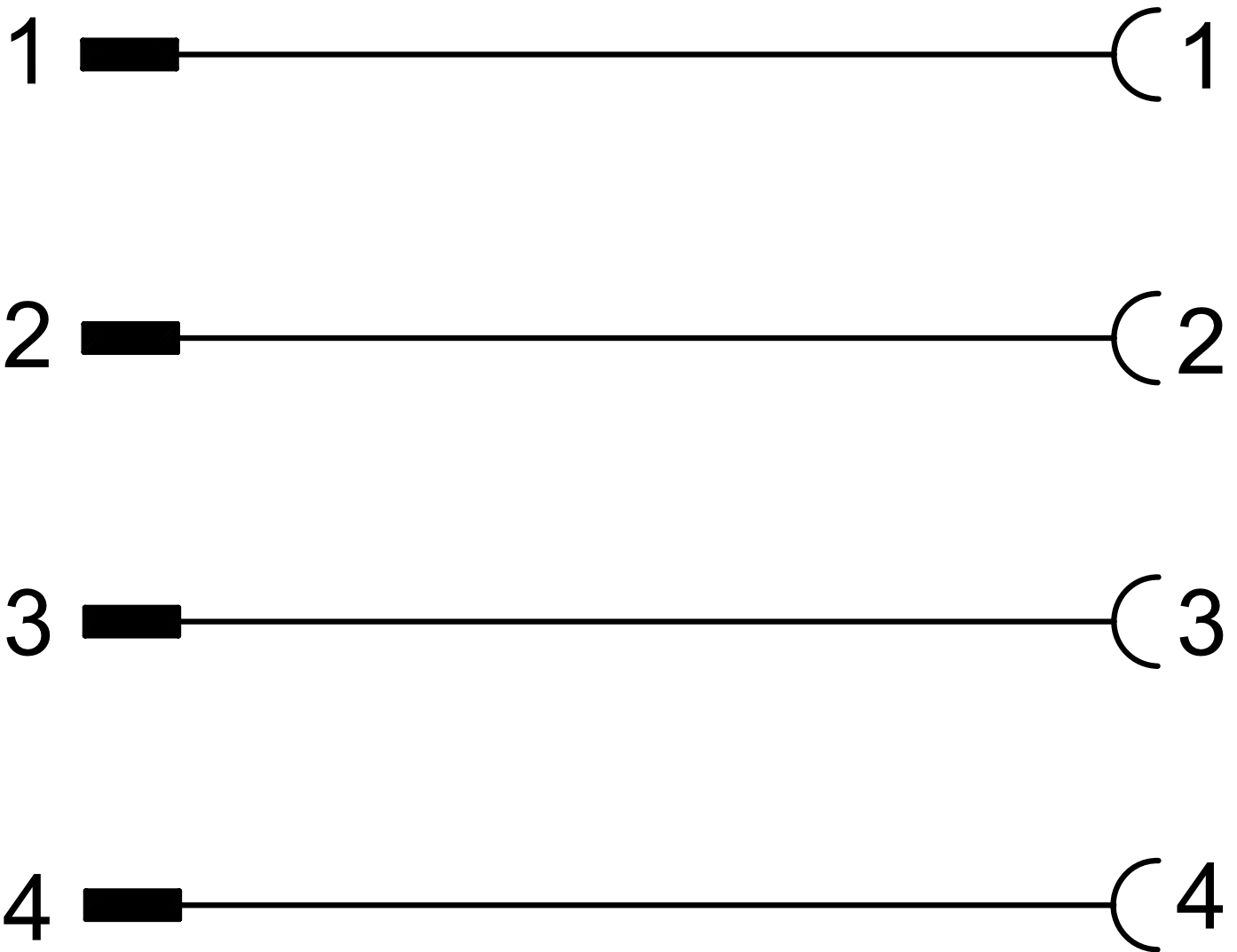


IMAGE 4/9

K58G00.K

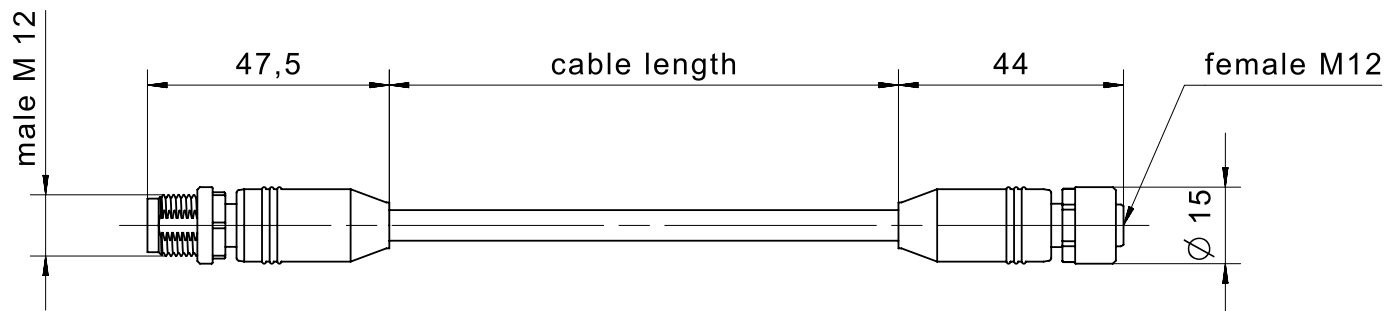
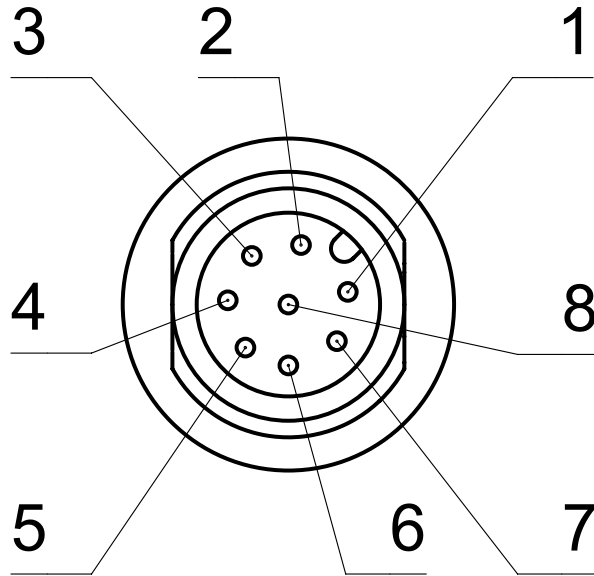


IMAGE 5/9

male M12



female M12

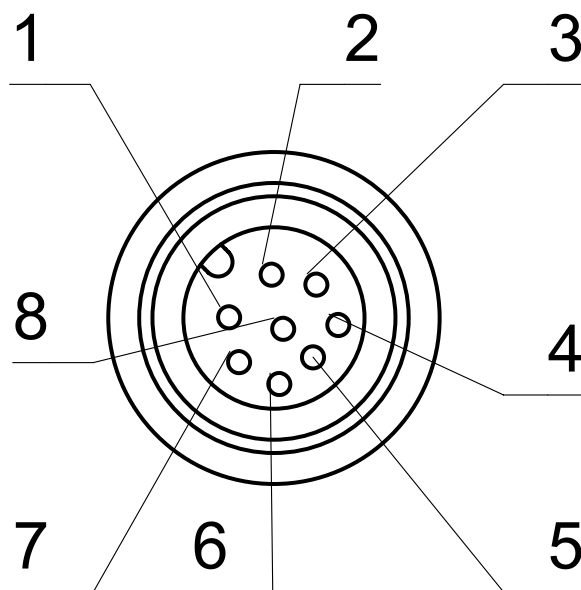


IMAGE 6/9

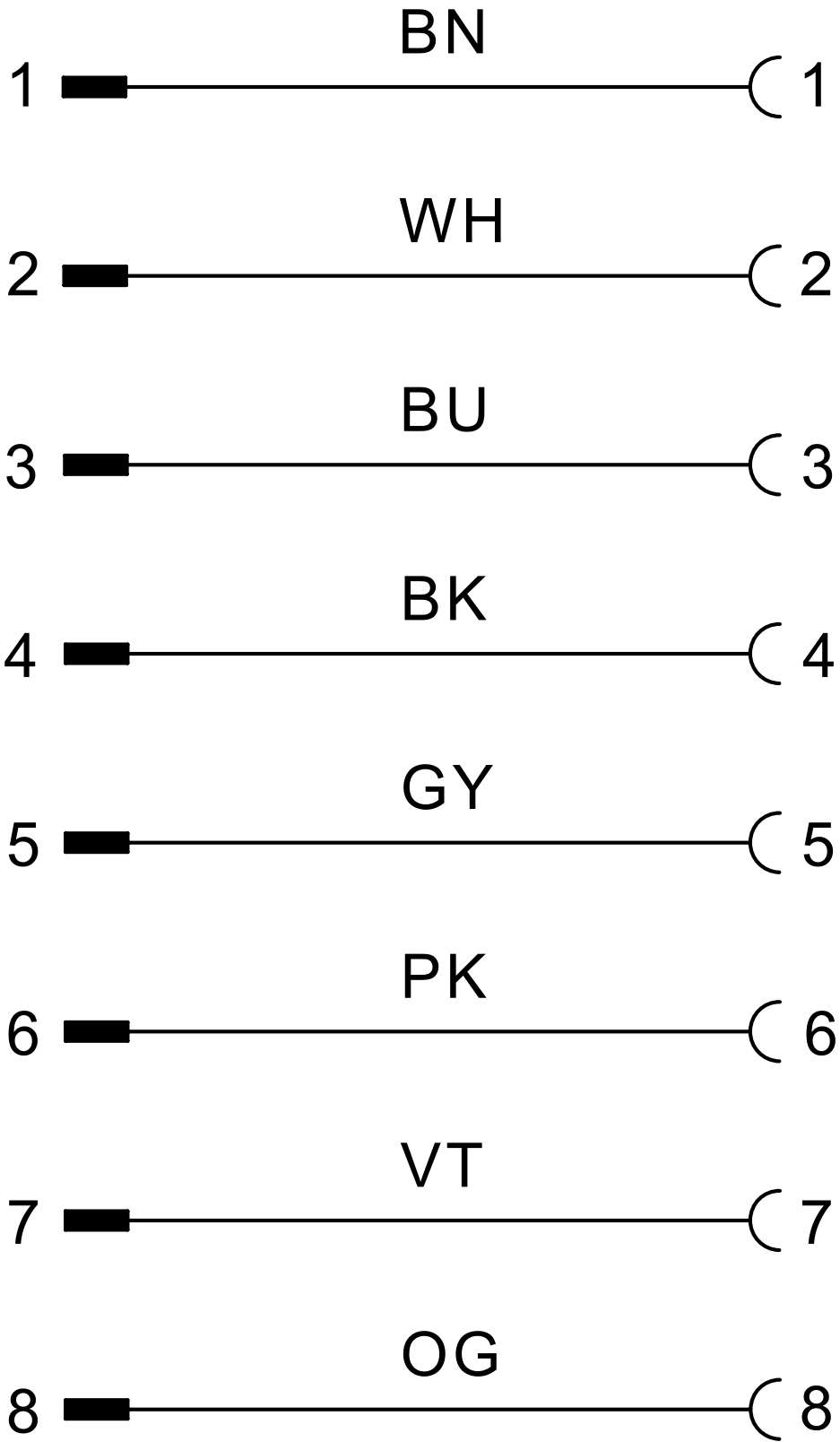


IMAGE 7/9

K55G00.K

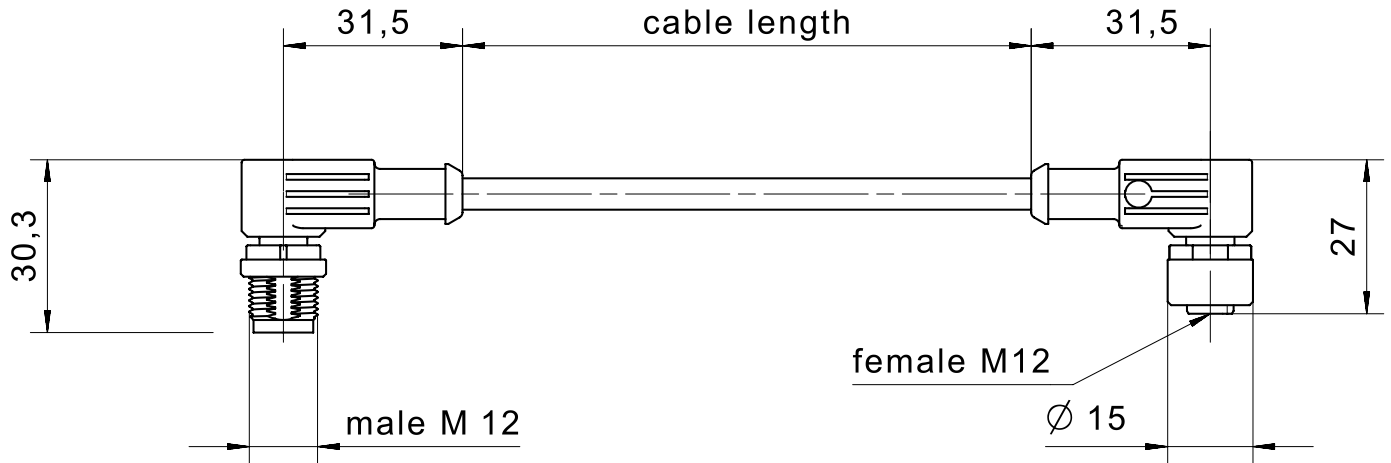
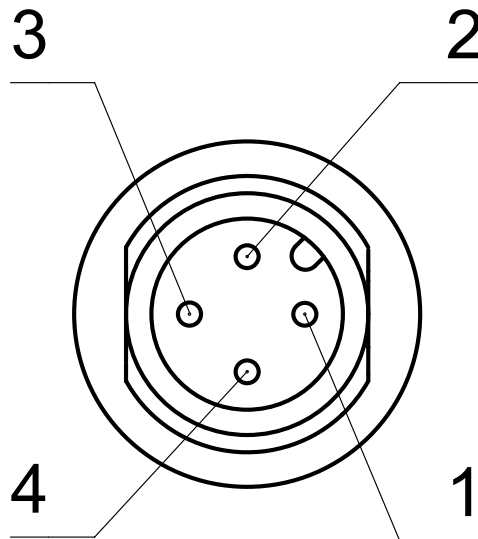


IMAGE 8/9

male M12



female M12

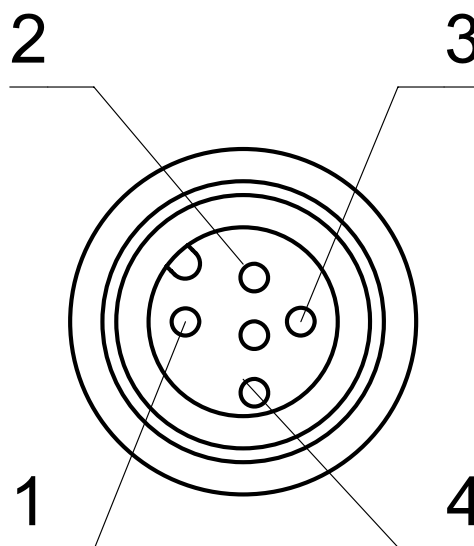
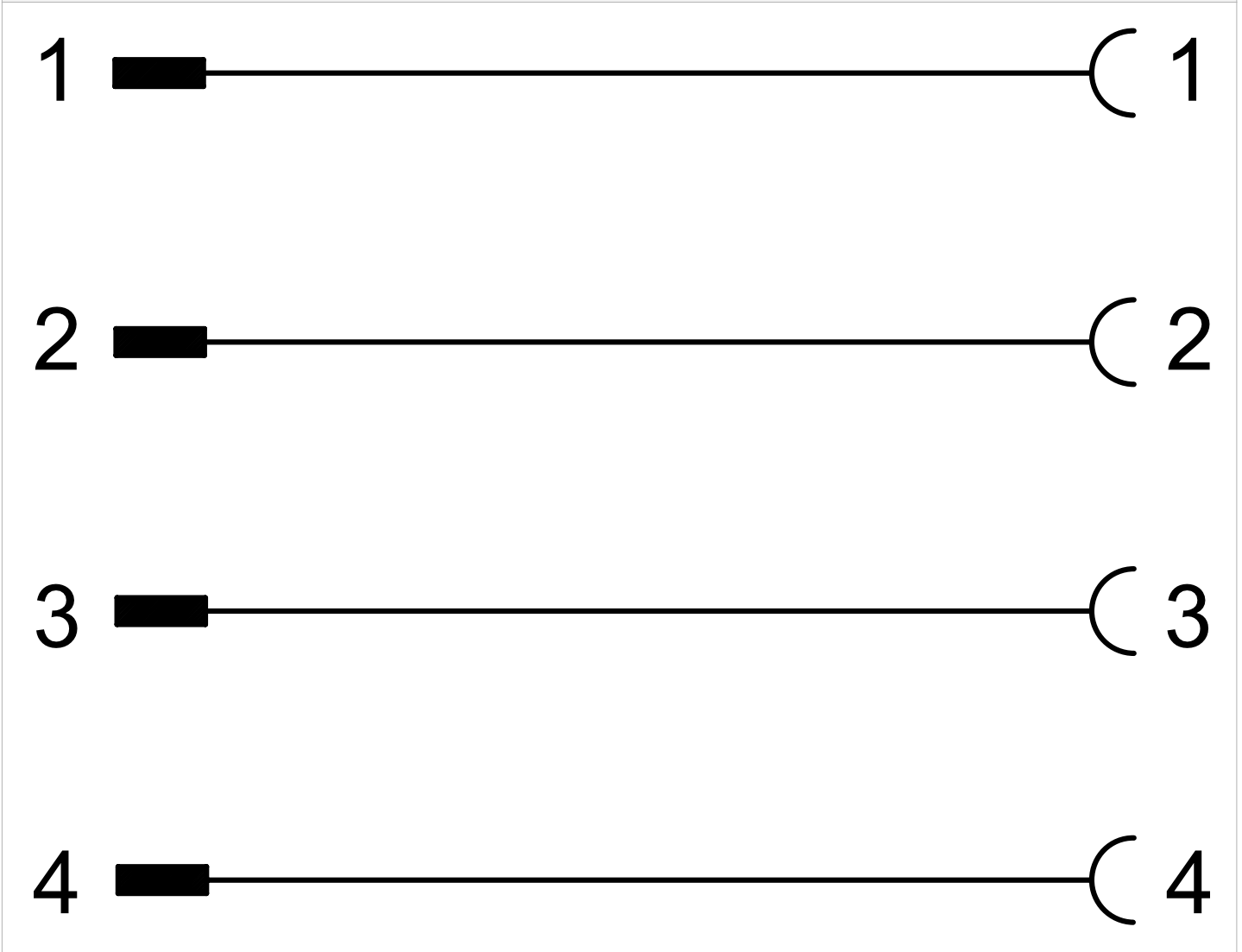


IMAGE 9/9



Product options

IMAGE 1/1

ORDERING KEY

K5	Connection cable sheath material PVC		
4G			4-pin – connector/socket straight
5G			5-pin – connector/socket angled
8G			8-pin – connector/socket straight
	001	K	Cable length 1 m
	003	K	Cable length 3 m
	005	K	Cable length 5 m
	000	K	Cable length 10 m
			Other cable materials and cable lengths on request

Article characteristics

Attribute	K54G...K	K55G...K	K58G000K	K58G001K	K58G003K	K58G005K
Min. storage temperature	-25 °C	-30 °C	-25 °C			
Max. storage temperature	80 °C					
Cable type	-		LIYY			
Weight	-		551 g	74 g	180 g	286 g
Max. switching current per contact	4 A		2 A			
Rated impulse withstand voltage (Uimp)	2500 V		800 V			
Pollution degree	-		3			
Operating voltage max.	30 V DC					
Operating voltage max.	30 V AC					
Nut material	PA					
Overmould material	PUR					
Cable material	PVC					
Protection class, connector	-		IP67 DIN EN 60529			
Min. cable temperature range, moving	-5 °C					
Max. cable temperature range, moving	80 °C					
Min. cable temperature range, fixed installation	-25 °C	-30 °C	-25 °C			
Max. cable temperature range, fixed installation	80 °C					
Torque for nuts	0,6 N m					
Connector type	M12 connector / socket, straight	M12 connector / socket, angled	M12 Stecker / Buchse gerade			
Cable colour	Grey		grau			
Cable length	10 m			1 m	3 m	5 m
Cable diameter	4,8 mm		6 mm			
Number of pins	4		8			
Number of strands	4		8			
Wire cross section	0.25 mm ²					
Certified in accordance with	UL/CSA ECOLAB					