



Connection cable M12 4-pin with coupling ring, plastic

Product characteristics

- Good resistance to chemicals and oil
- High protection class and high temperature range to meet the demands of adverse industrial environments
- Suitable for the elo USB IO-Link Master used for connecting IO-Link-capable sensors

Technical drawing

IMAGE 1/6

K54G00.K

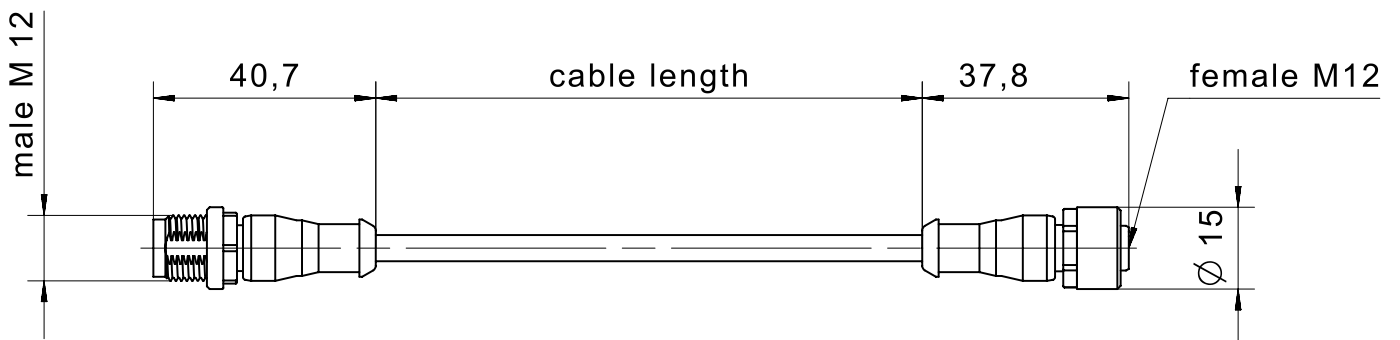
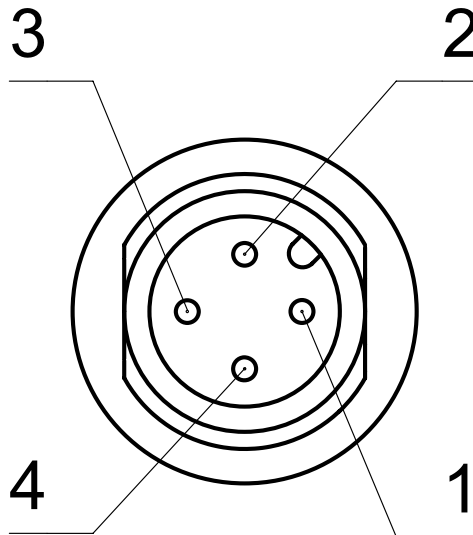


IMAGE 2/6

male M12



female M12

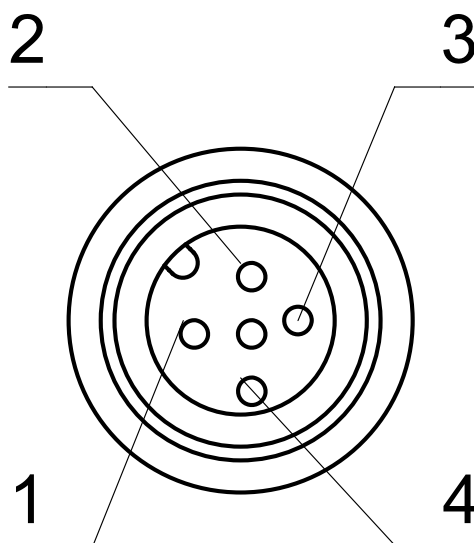


IMAGE 3/6

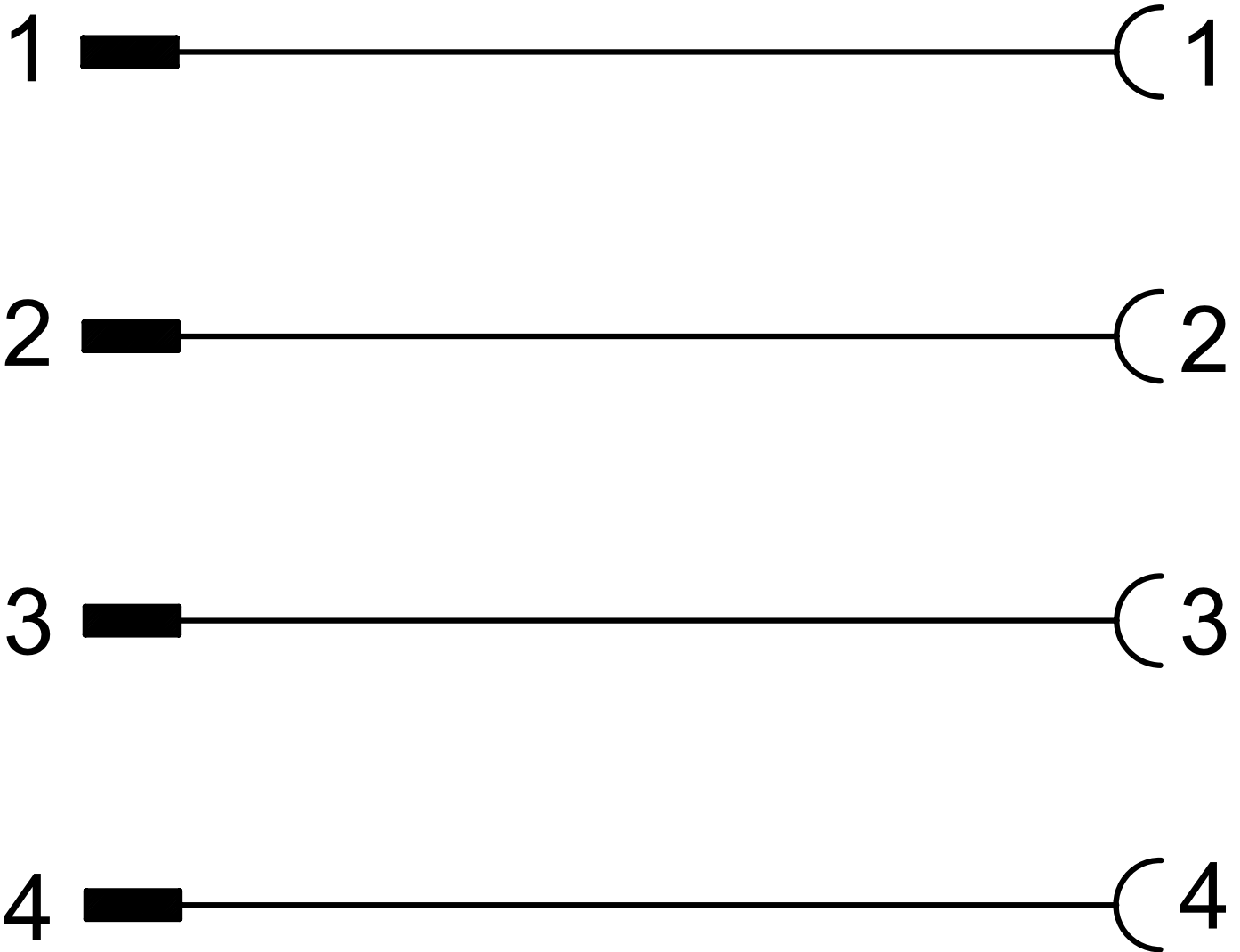


IMAGE 4/6

K55G00.K

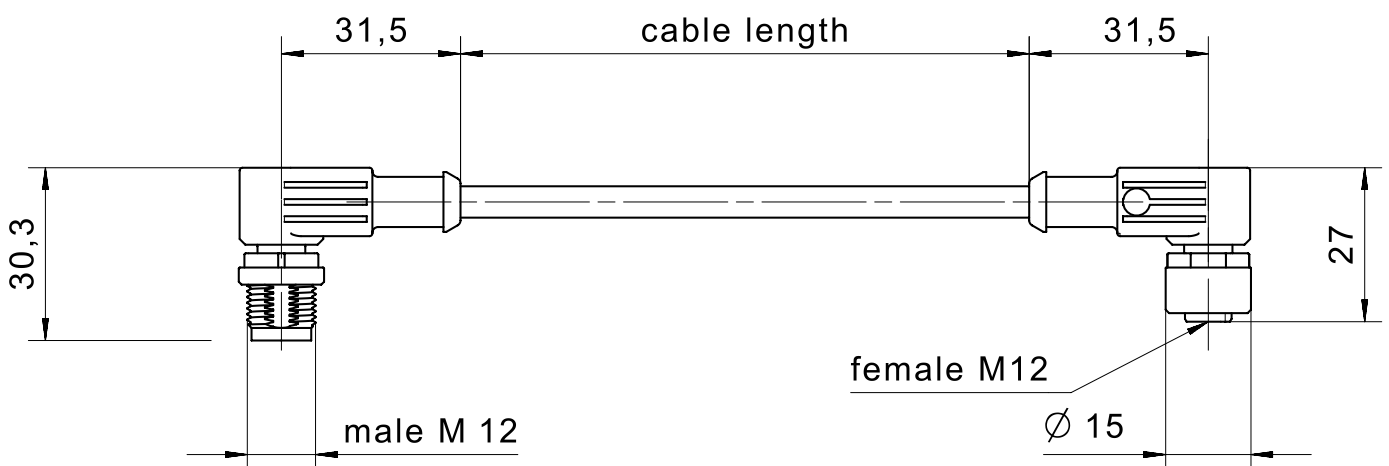
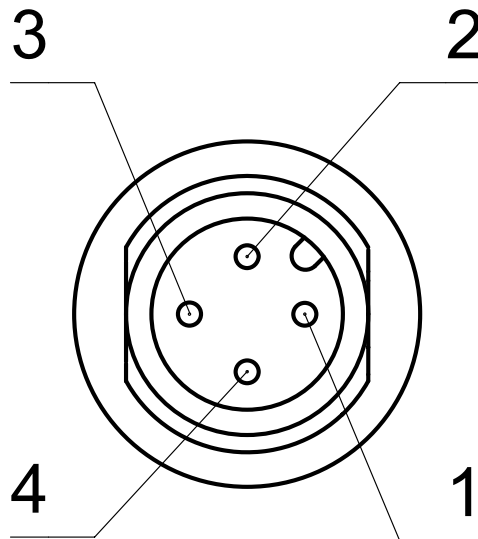


IMAGE 5/6

male M12



female M12

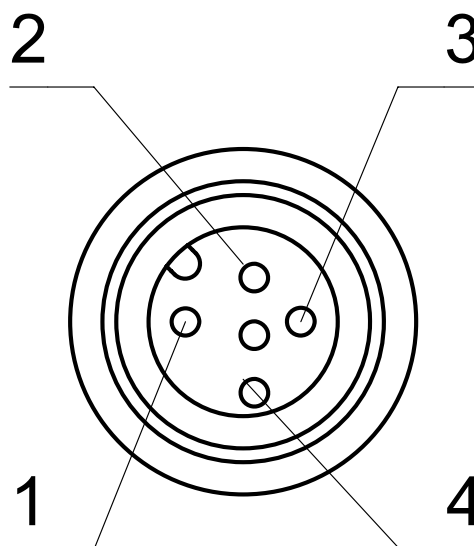
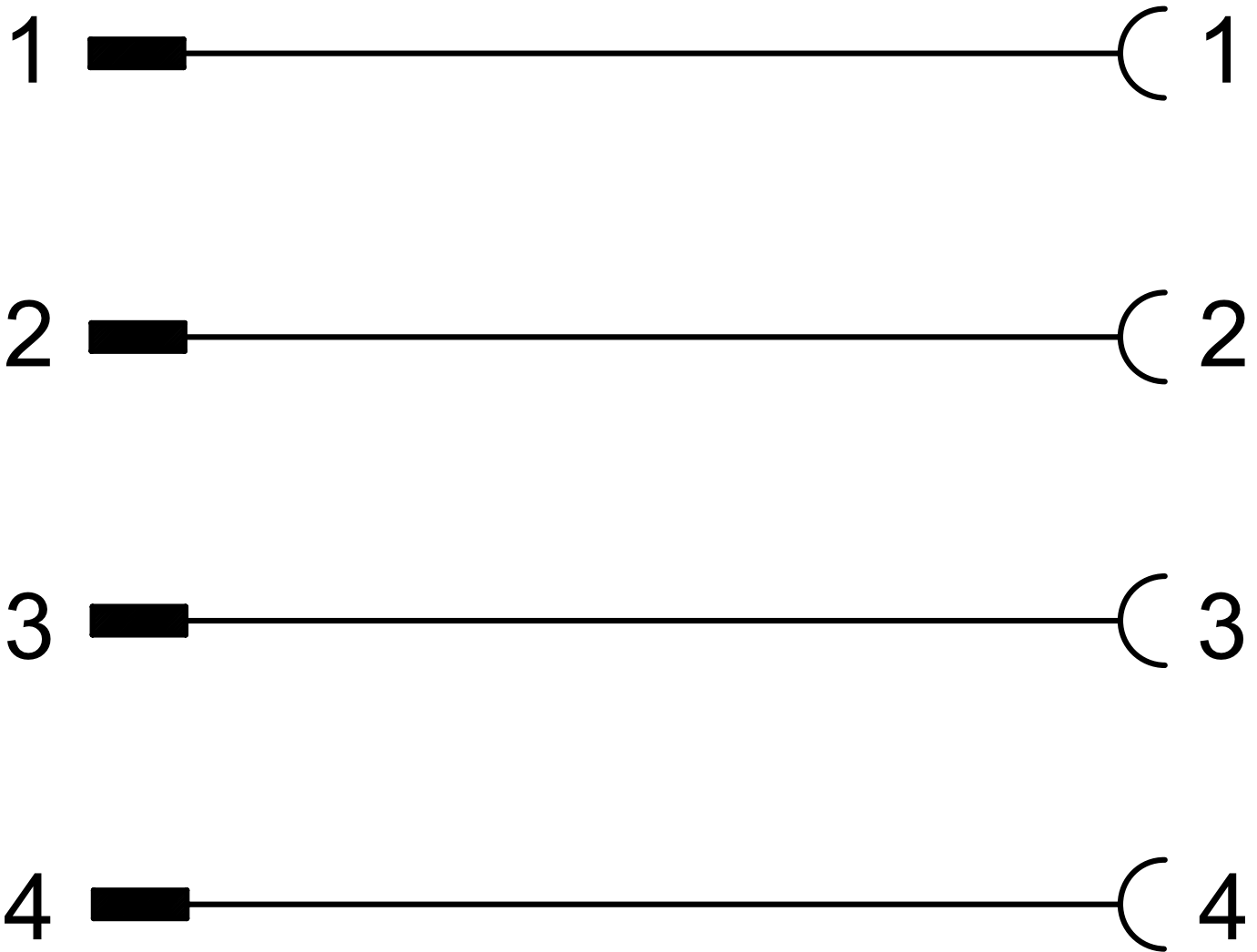


IMAGE 6/6



Product options

IMAGE 1/1

ORDERING KEY

K5			Connection cable M12 4-pin with coupling ring, plastic
	4G		4-pin, connector / socket, straight, sheath material PVC
	5G		4-pin, connector / socket, angled, sheath material PVC
		001K	Cable length 1m ± 30mm
		003K	Cable length 3m ± 40mm
		005K	Cable length 5m ± 60mm
		000K	Cable length 10m ± 80mm
			Other cable materials and cable lengths on request

Article characteristics

Attribute	K54G...K	K55G...K
Max. switching current per contact	4 A	
Rated impulse withstand voltage (Uimp)	2500 V	
Operating voltage max.	30 V DC	
Operating voltage max.	30 V AC	
Cable colour	Grey	
Cable material	PVC	
Nut material	PA	
Overmould material	PUR	
Min. storage temperature	-25 °C	-30 °C
Max. storage temperature	80 °C	
Min. cable temperature range, moving	-5 °C	
Max. cable temperature range, moving	80 °C	
Min. cable temperature range, fixed installation	-25 °C	-30 °C
Max. cable temperature range, fixed installation	80 °C	
Torque for nuts	0,6 N m	
Connector type	M12 connector / socket, straight	M12 connector / socket, angled
Cable length	10 m	
Cable diameter	4,8 mm	
Number of pins	4	
Number of strands	4	
Wire cross section	0.25 mm ²	
Certified in accordance with	UL/CSA ECOLAB	