



## Emergency stop button NHT01D

The most compact emergency stop button, specially intended for installation in control panels with its space-saving design.

### Technical specifications

- Latching detent for anti-rotation protection and to prevent easy removal
- Optical switch position indicator (green ring)
- Simple rotary release
- Matching installation wrench MS01 for simple installation

### Suitable contact elements:

KE20 Contact element with 2 N.C. contacts

KE20SF Contact element with 2 N.C. contacts + failure protection\*

KE21 Contact element with 2 N.C. contacts + 1 N.O. contact

KE21SF Contact element with 2 N.C. contacts + 1 N.O. contact  
+ failure protection\*

\*The failure protection system detects whether the contact elements are assembled correctly and switches the safety circuit off if a contact element should detach due to external influences.

### The following safety control units / safety relays are suited for integration into the safety product line:

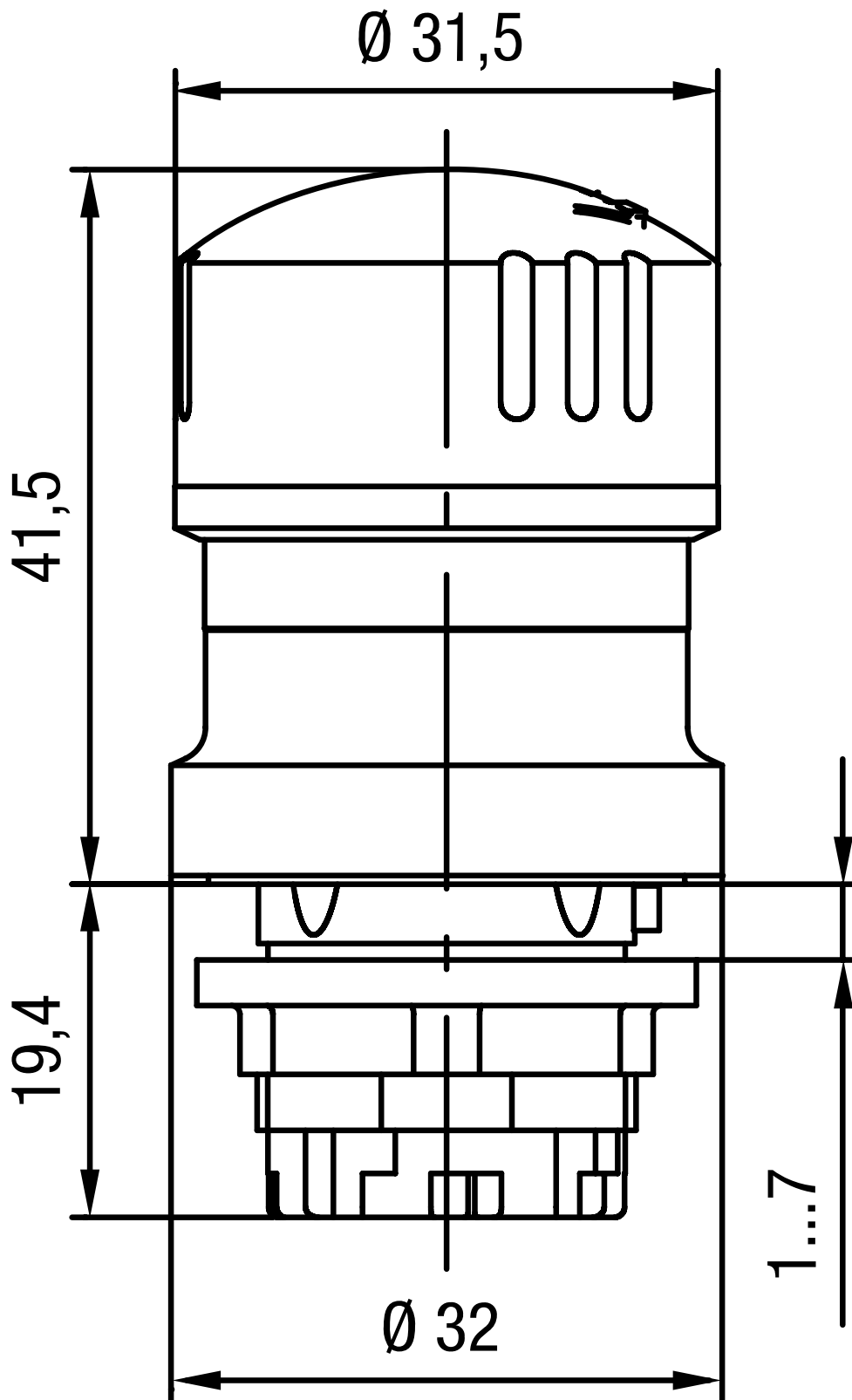
470... eloFlex Mini 2 two-channel inputs, freely configurable

471... eloFlex 4 two-channel inputs, freely configurable

485 EP... eloProg up to 128 inputs, freely configurable

Technical drawing

IMAGE 1/1



### Article characteristics

Attribute	NHT01D
Unlocking device	Rotary release left/right
Anti-obstruction protective collar	no
Operation protective collar	no
Service life, mechanical (Cycles)	100000
Dimensions	Ø32 x 60,9 mm
Detent present	yes
Housing material	Plastic
Housing colour	Front bezel: yellow; Mushroom head: red
Protection class	IP65 DIN EN 60529
Operating temperature min.	-30 °C
Max. operating temperature	70 °C
Min. storage temperature	-50 °C
Max. storage temperature	85 °C
Mounting type	Fastening nut
Installation opening	Ø22,3 mm
Installation	from above
Torque for nuts	2,2 N m
Installation depth	19.4 mm
Certified in accordance with	EN 60947-5-5 EN 60947-5-1 EN ISO 13850 UL 508 / CSA 22.2
CE label	yes
Hygienic approval	no