



Emergency stop button NHT02D

Thanks to its gaiter-sealed design and hygiene certification, the emergency stop button NHT02D is suitable for use on food-processing machinery – in the food zone as well as in the splash and non-food zone.

Technical specifications

- High IP6K9K protection class ensures resistance to aggressive cleaning agents and disinfectants, and ability to withstand intensive cleaning.
- Latching detent for anti-rotation protection and to prevent easy removal
- Simple rotary release
- Matching installation wrench MS01 for simple installation

Suitable contact elements:

KE20 Contact element with 2 N.C. contacts

KE20SF Contact element with 2 N.C. contacts + failure protection*

KE21 Contact element with 2 N.C. contacts + 1 N.O. contact

KE21SF Contact element with 2 N.C. contacts + 1 N.O. contact + failure protection*

*The failure protection system detects whether the contact elements are assembled correctly and switches the safety circuit off if a contact element should detach due to external influences.

The following safety control units / safety relays are suited for integration into the safety product line:

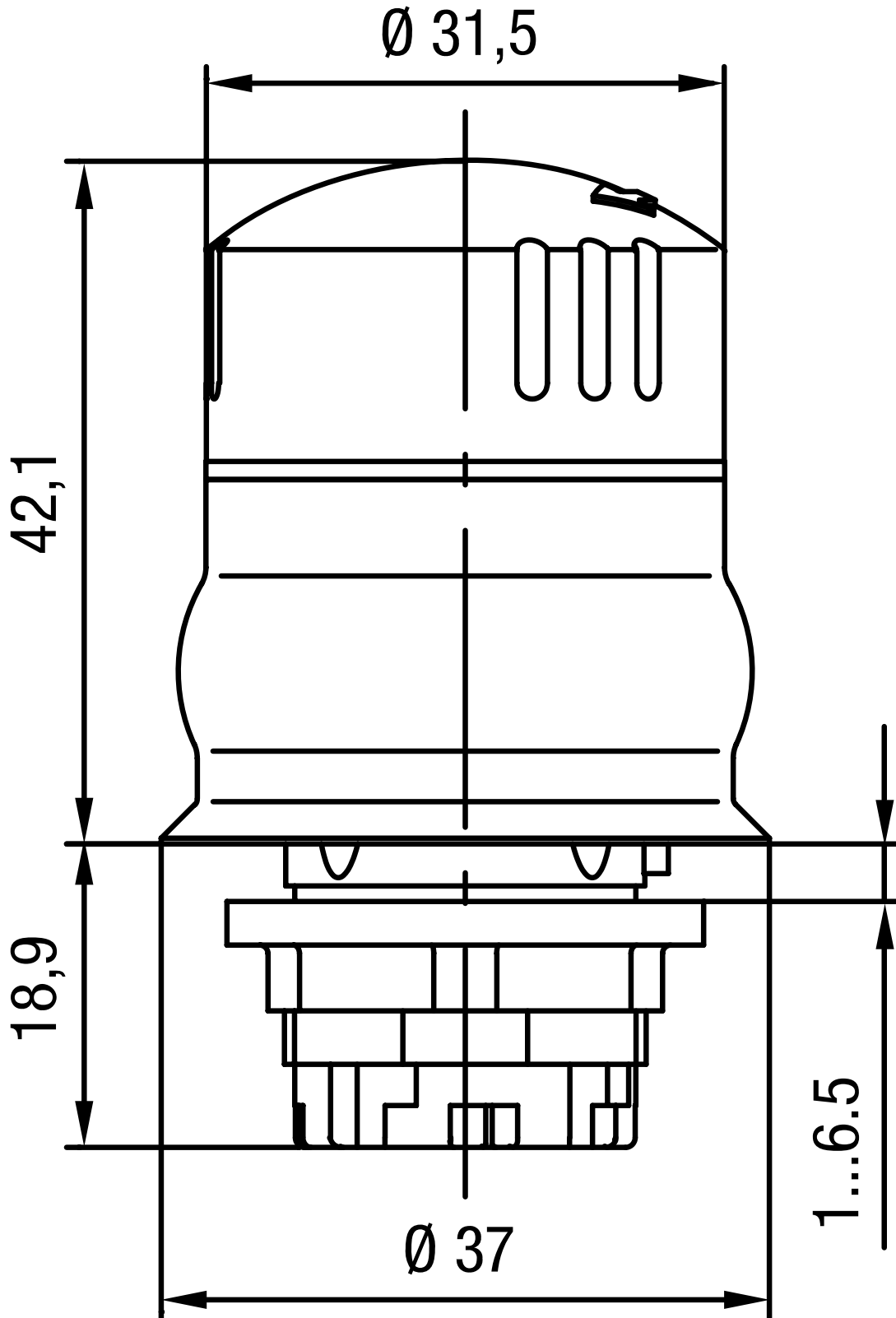
470... eloFlex Mini 2 two-channel inputs, freely configurable

471... eloFlex 4 two-channel inputs, freely configurable

485 EP... eloProg up to 128 inputs, freely configurable

Technical drawing

IMAGE 1/1



Article characteristics

| Attribute | NHT02D |
|------------------------------------|--|
| Illumination | No |
| Unlocking device | Rotary release left/right |
| Anti-obstruction protective collar | no |
| Operation protective collar | no |
| Service life, mechanical (Cycles) | 6050 |
| Dimensions | Ø37 x 61 mm |
| Detent present | yes |
| Housing material | Plastic |
| Housing colour | Front bezel: yellow; Mushroom head: red |
| Protection class | IP69K DIN EN 60529 |
| Operating temperature min. | -30 °C |
| Max. operating temperature | 70 °C |
| Min. storage temperature | -50 °C |
| Max. storage temperature | 85 °C |
| Mounting type | Fastening nut |
| Installation opening | Ø22,3 mm |
| Installation | from above |
| Torque for nuts | 1,5 - 2,2 N m |
| Installation depth | 18.9 mm |
| Certified in accordance with | EN 60947-5-5 EN 60947-5-1 EN ISO 13850 DIN EN 1672-2 GS-FW 01/01 UL 508 / CSA 22.2 |
| CE label | yes |
| Hygienic approval | yes |