

Emergency stop enclosure NHG01

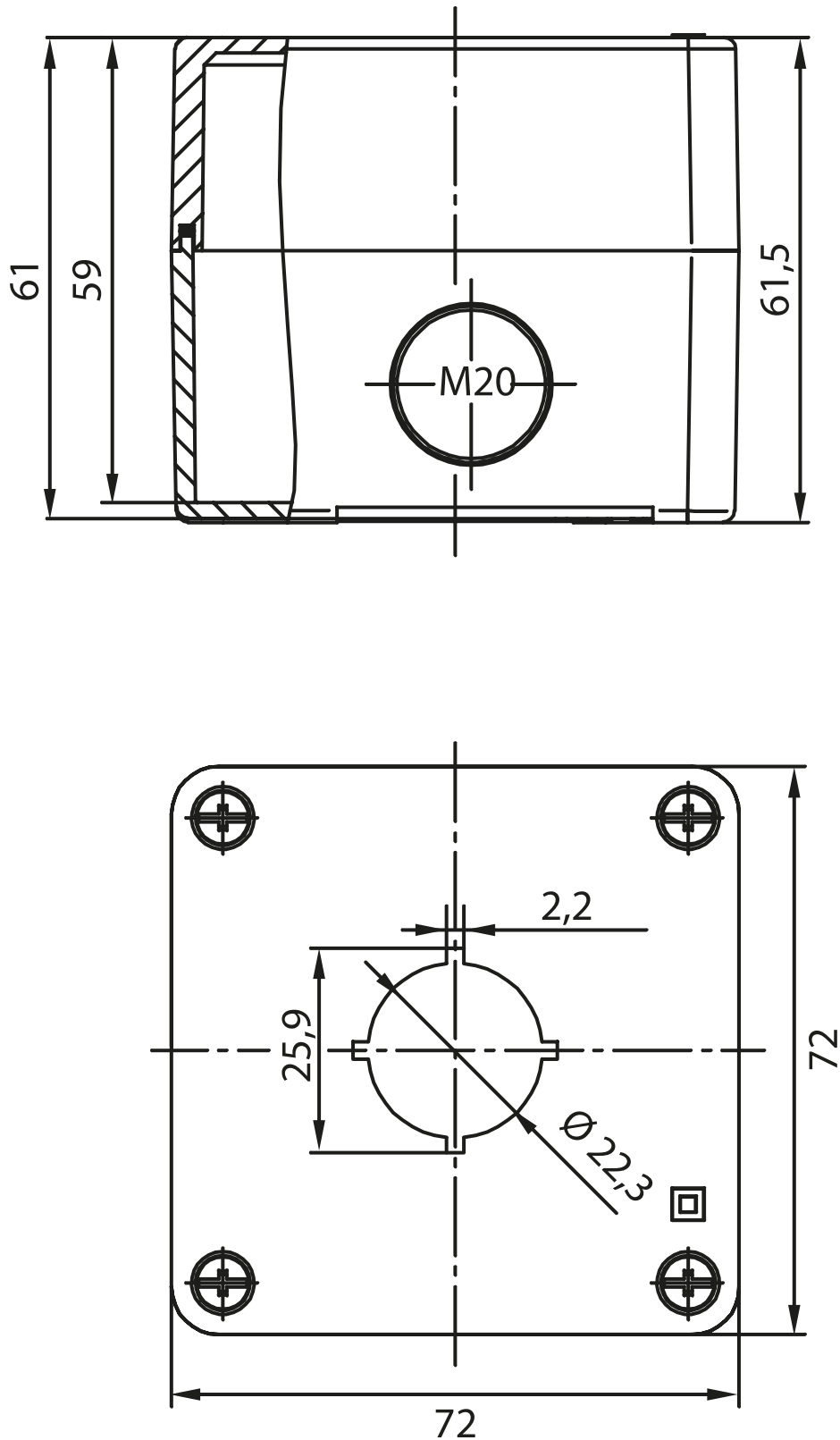
Surface-mounted housing for installing emergency stop buttons

Product characteristics

- ISO surface-mounted housing in IP65/IP69K (depending on the used E-stop button)
- For simple installation of the NHT.. emergency stop buttons with KE.. contact elements

Technical drawing

IMAGE 1/1



Article characteristics

Attribute	NHG01
Dimensions	72 x 72 x 62,5 mm (H/B/T)
Housing material	Kunststoff
Housing colour	Unterteil: schwarz Oberteil: gelb
Protection class	IP68 DIN EN 60529
Mounting type	screwed
Weight	96 g
Installation	arbitrary
Installation opening	Ø22,3 mm
Installation depth	59 mm
Certified in accordance with	UL 508 / CSA 22.2