



Fingertip Joystick JFT

The compact design of the Fingertip joystick JFT makes it ideal for use in control panels and armrests. The areas of application range from industrial trucks, agricultural and construction machinery to countless industry applications.

Technical specifications

- Simple “on top” installation in control panels
- Parallel arrangement is possible in the smallest of installation spaces
- Angled actuator with soft-touch finger rest for ergonomic operation
- Colour-coded actuator cap and customised symbol imprint
- High reliability and long service life thanks to contactless, shielded Hall-effect technology
- Two available variants:
 - Standard: Long proven, for use inside the cabin.
 - Dust-optimized: For slightly rougher applications with slightly different feel.

Technical drawing

IMAGE 1/2

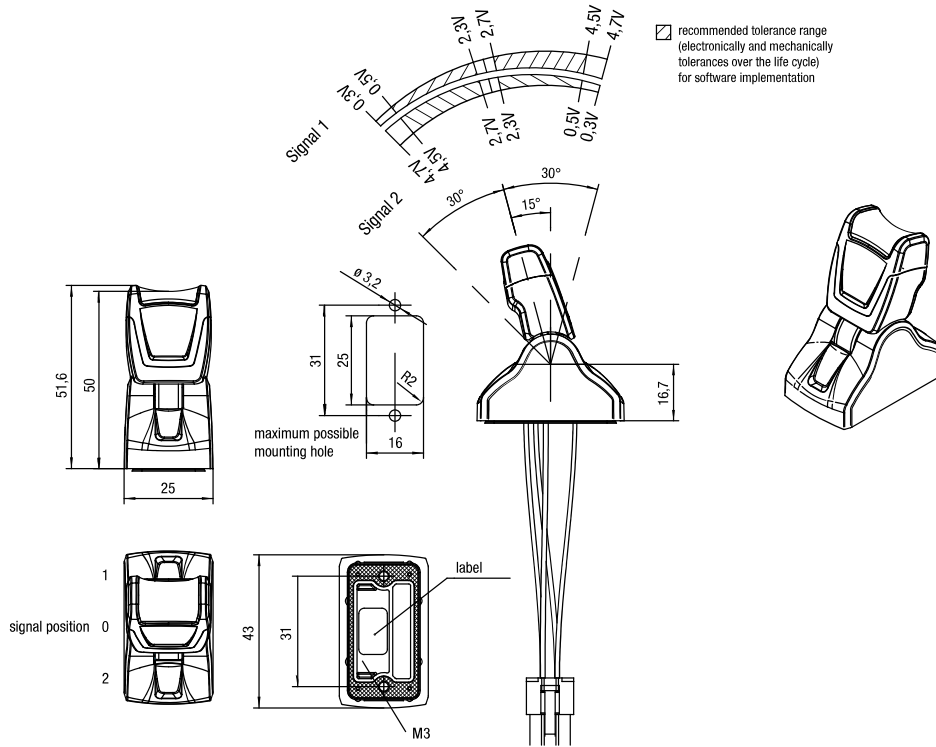
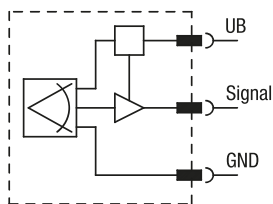


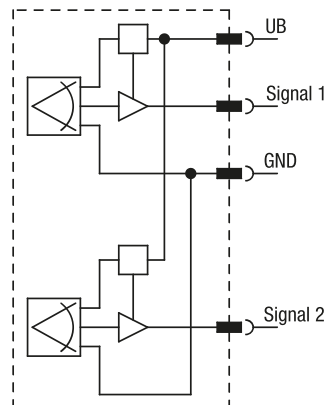
IMAGE 2/2

Standard

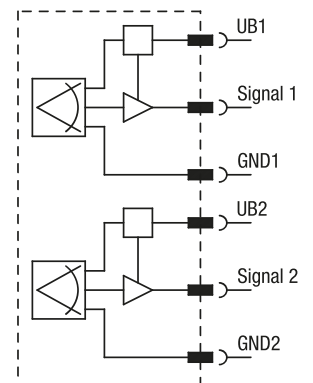
Analogue



Analogue semi-redundant



Analogue redundant



Article characteristics

| Attribute | JFT... |
|---|---|
| Protection class, mechanical | IP54 DIN EN 60529 |
| Polarity reversal protection | yes |
| Output signal min. | 0.5 V DC |
| Output signal max. | 4.5 V DC |
| Output signal | analogue |
| Output signal - centre position/zero position | 2.5 V DC |
| EMC immunity (Norm) | DIN EN 12895, DIN EN 13309, DIN EN ISO 14982, ISO 13766 |
| EMC emission (Norm) | DIN EN 12895, DIN EN 13309, DIN EN ISO 14982, ISO 13766 |
| Operating voltage min. | 4.5 V DC |
| Operating voltage max. | 5.5 V DC |
| Current consumption | max. 15 mA |
| Load resistance min. | 20000 Ohm |
| Short-circuit resistance to GND | yes |
| Short-circuit resistance to supply | yes |
| Technology | Hall |
| Max. lever load with specified lever length | 35 mm/200 N |
| Deflection | ± 30 ° |
| Actuation type | single axis |
| Service life, mechanical (Cycles) | hard detent 4 mio. / without detent 5 mio. |
| Protection class, electronic | IP69K DIN EN 60529 |
| Operating temperature min. | -40 °C |
| Max. operating temperature | 85 °C |
| Min. storage temperature | -40 °C |
| Max. storage temperature | 105 °C |
| Installation | from above |
| Mounting type | screwed from below |
| Connector type | Mini-Fit Jr. |
| Cable type | Lify-t |
| Cable length | 0.3 m |