



Float switch 204KS

The float switch side mount 204KS is extremely compact and has two different mounting options, making it ideal for use in a range of applications and industries, eg the detection of fluid levels in water treatment containers, mechanical engineering and plant construction. The float switch also has a specially designed compression grommet which allows it to be installed from the outside. The switching function is reversible by simply rotating the float switch, making this a highly flexible and cost-effective solution.

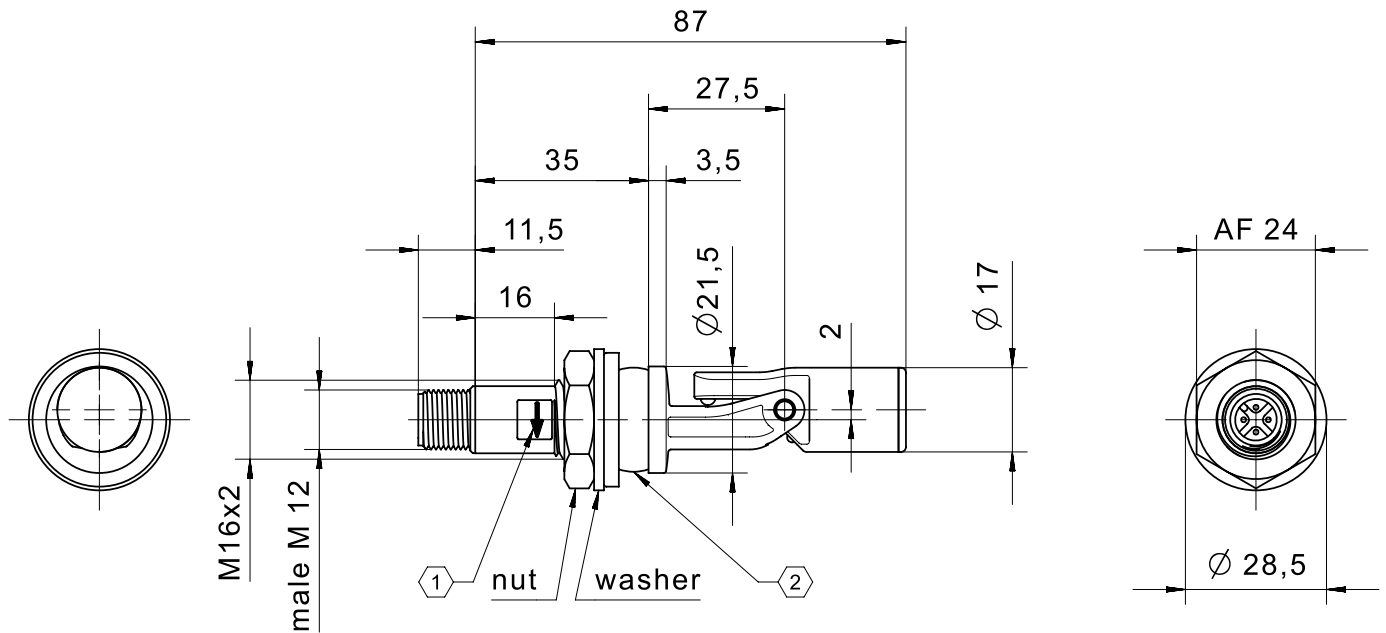
Product characteristics

- Level measurement on reed-contact basis
- Extremely compact design
- Mechanical hinge allows use in powerful flows
- Material: PP or PA12
- Mounting options: G 1/2 thread or compression grommet
- Available connection types: cable outlet, M12 connector or pigtail
- Contact form: N.O, N.C or changeover
- Temperature range from -25 °C to +105 °C
- Switching voltage up to max. 250V
- IP67 protection class

Technical drawing

IMAGE 1/12

204KS..C.....



① marking for mounting position

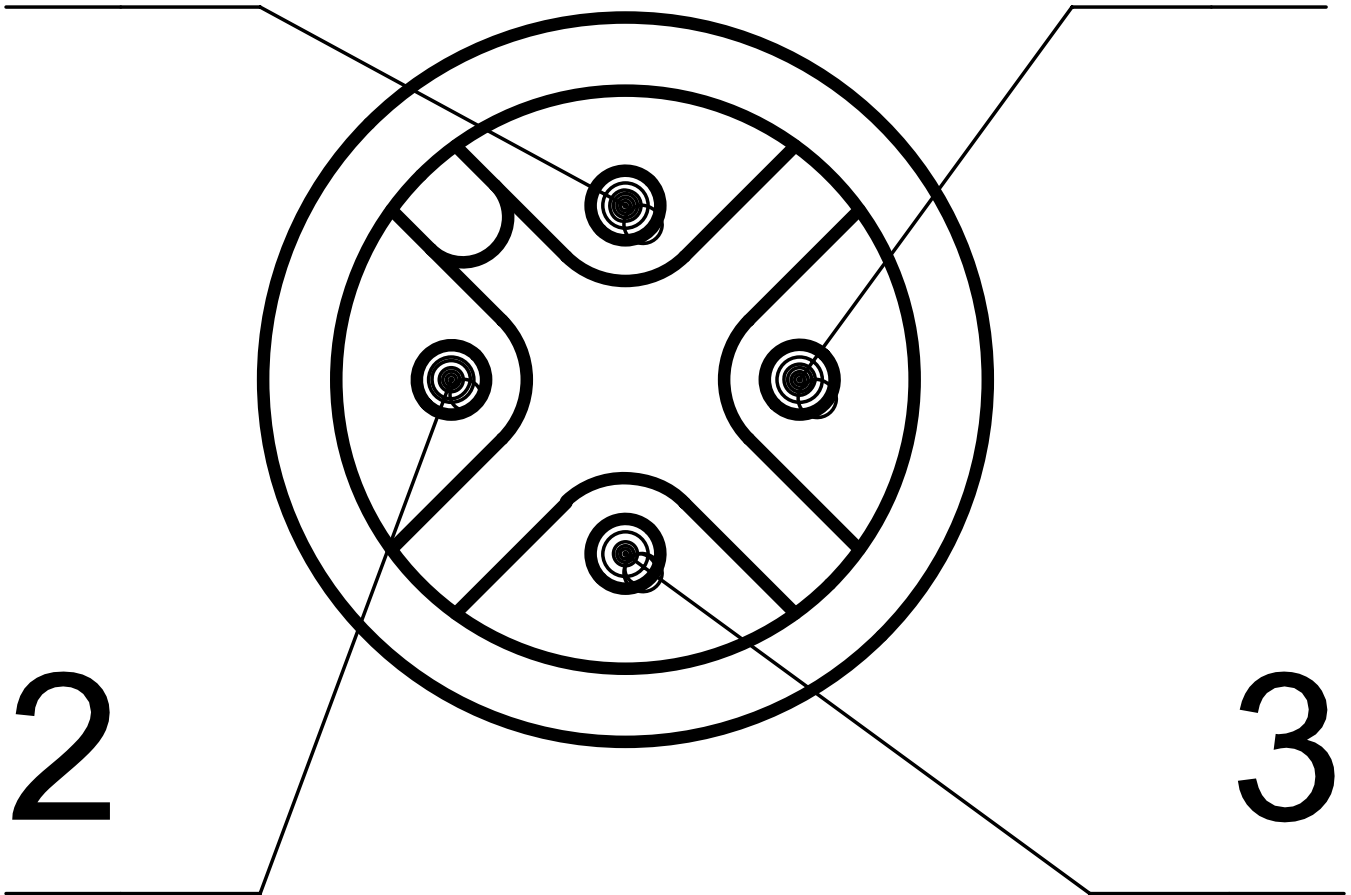
② compression grommet for
maximum wall thickness 3
and hole Ø22 till Ø23

IMAGE 2/12

male M12

1

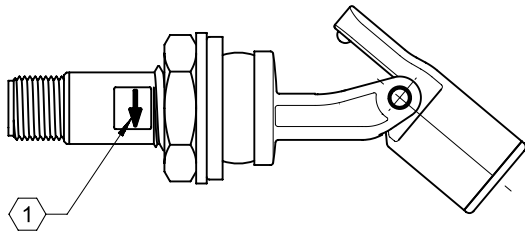
4



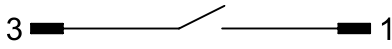
2

3

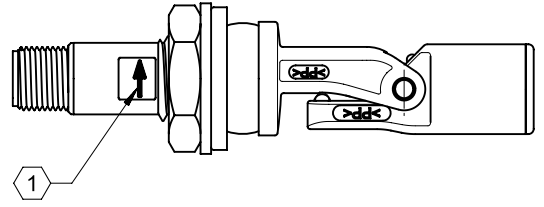
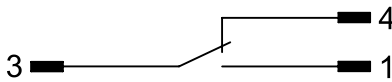
IMAGE 3/12



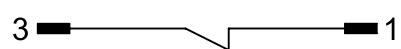
204KS0.C.....
204KS1.C.....



204KS2.C.....



204KS0.C.....
204KS1.C.....



204KS2.C.....

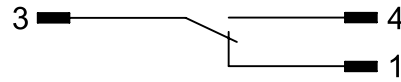
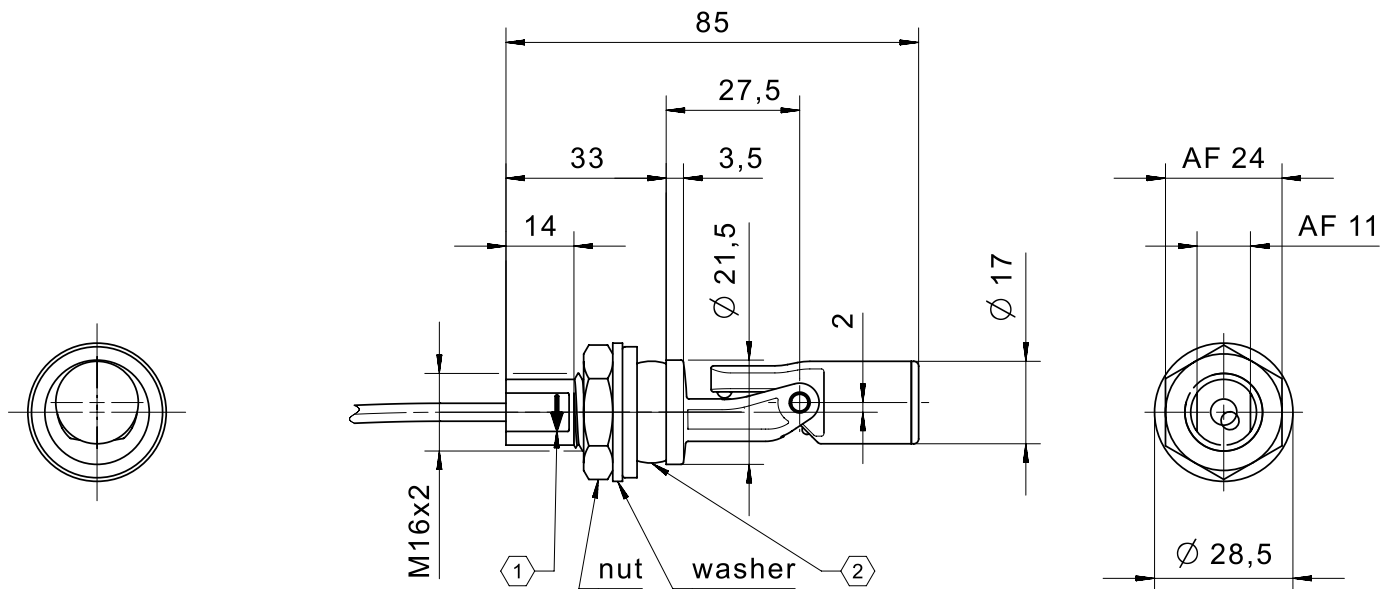


IMAGE 4/12

204KS..D.....



① marking for mounting position

② compression grommet for maximum wall thickness 3 and hole Ø22 till Ø23

IMAGE 5/12

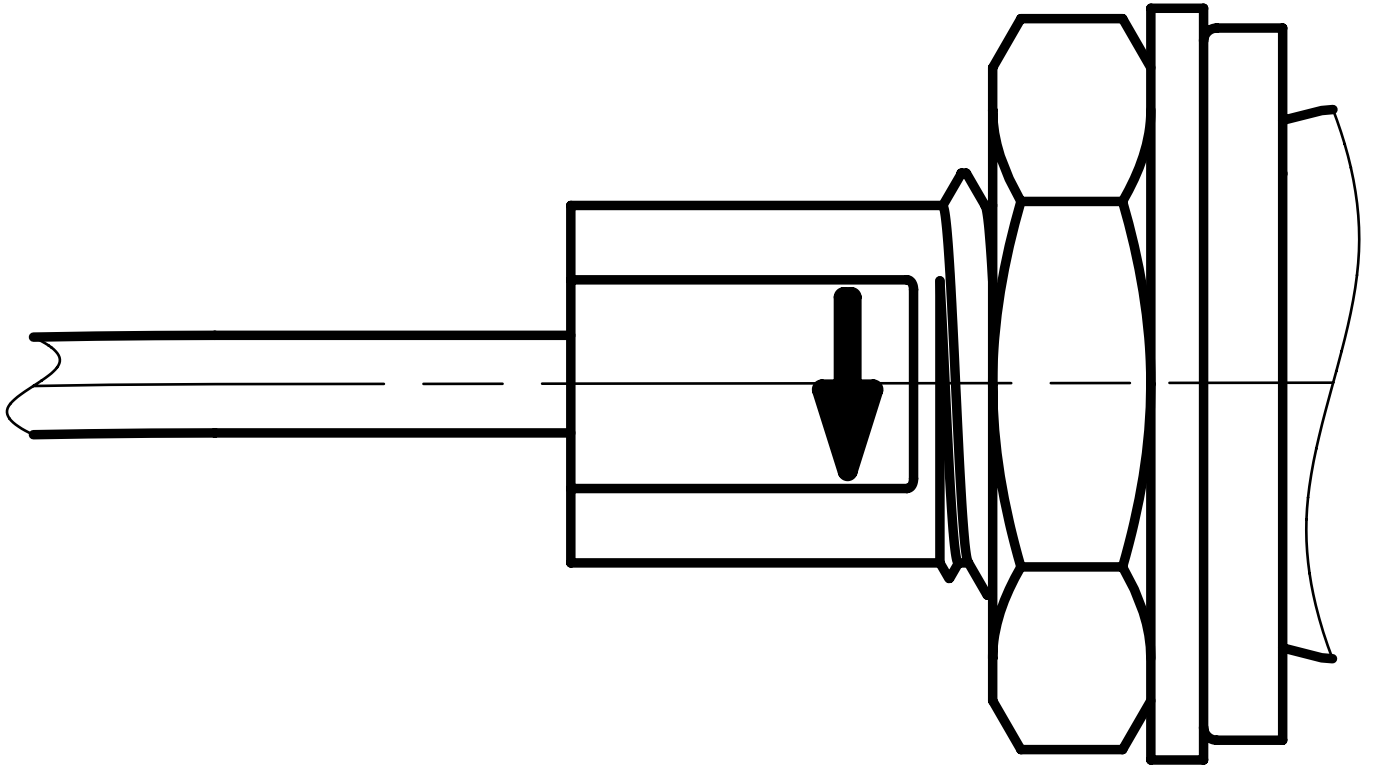
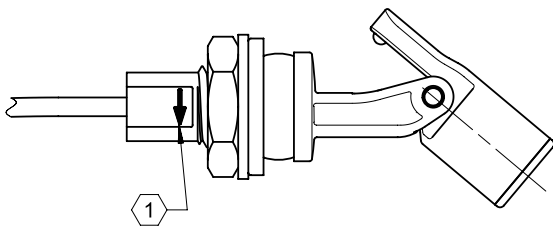


IMAGE 6/12

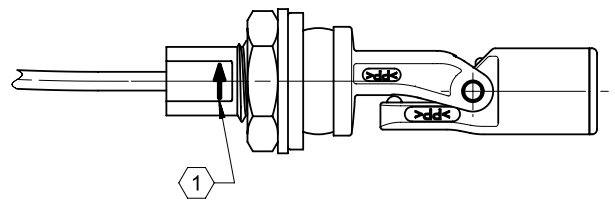


204KS0.D.....
204KS1.D.....

BN ———— WH

204KS2.D.....

BN ———— GN
 WH



204KS0.D.....
204KS1.D.....

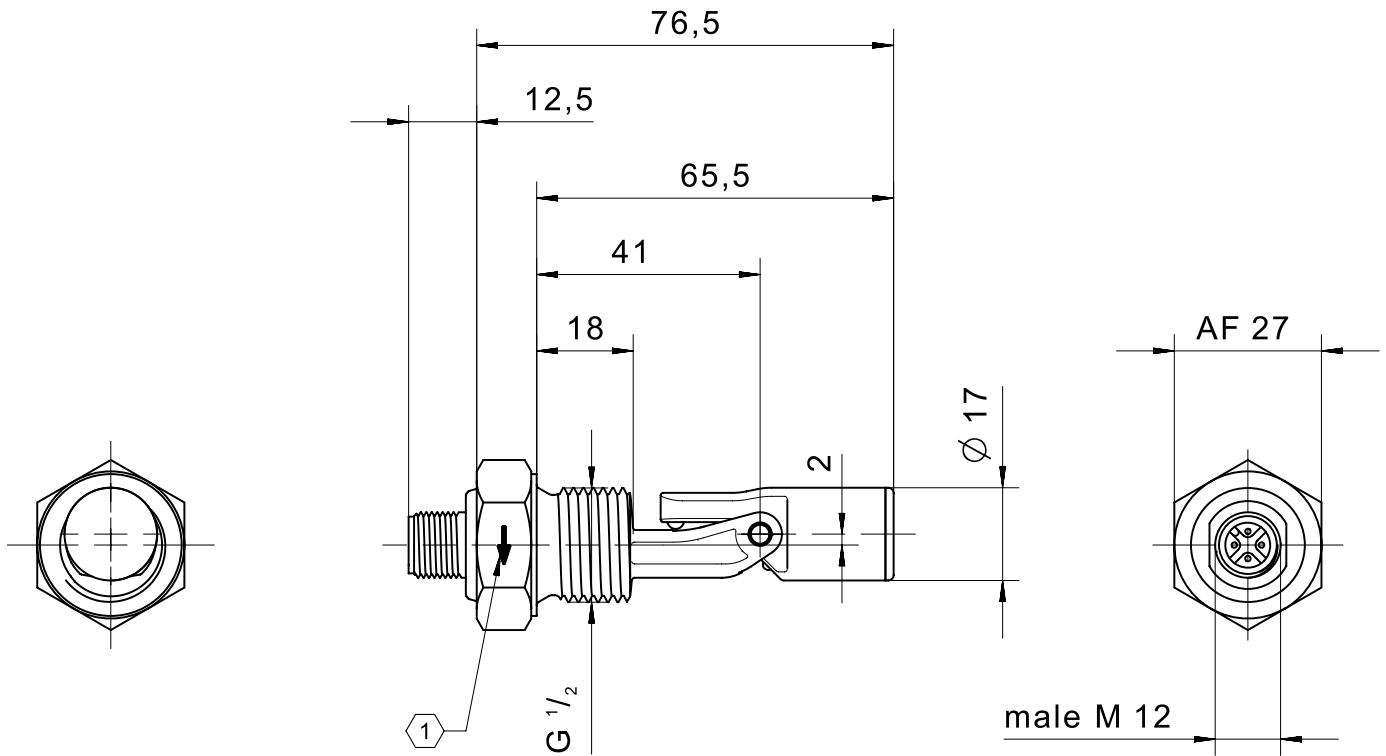
BN ———— WH

204KS2.D.....

BN ———— GN
 WH

IMAGE 7/12

204KS..E.....



 marking for mounting position

IMAGE 8/12

male M12

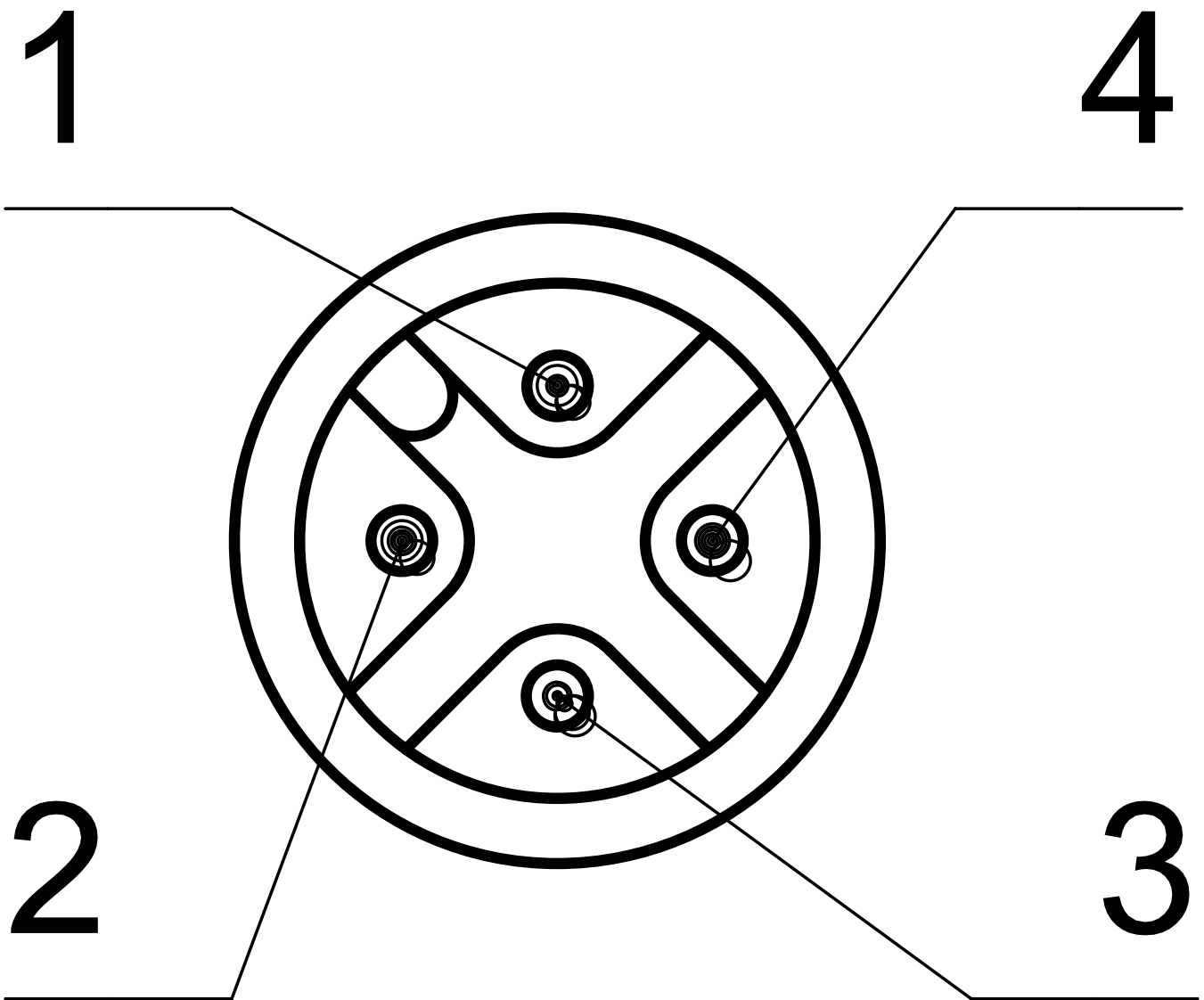
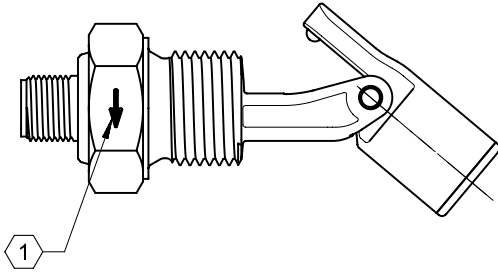
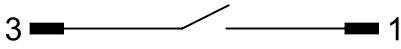


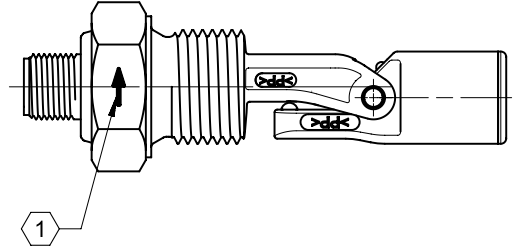
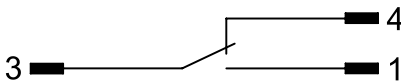
IMAGE 9/12



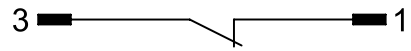
204KS0.E.....
204KS1.E.....



204KS2.E.....



204KS0.E.....
204KS1.E.....



204KS2.E.....

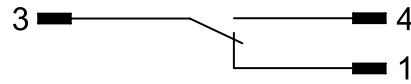
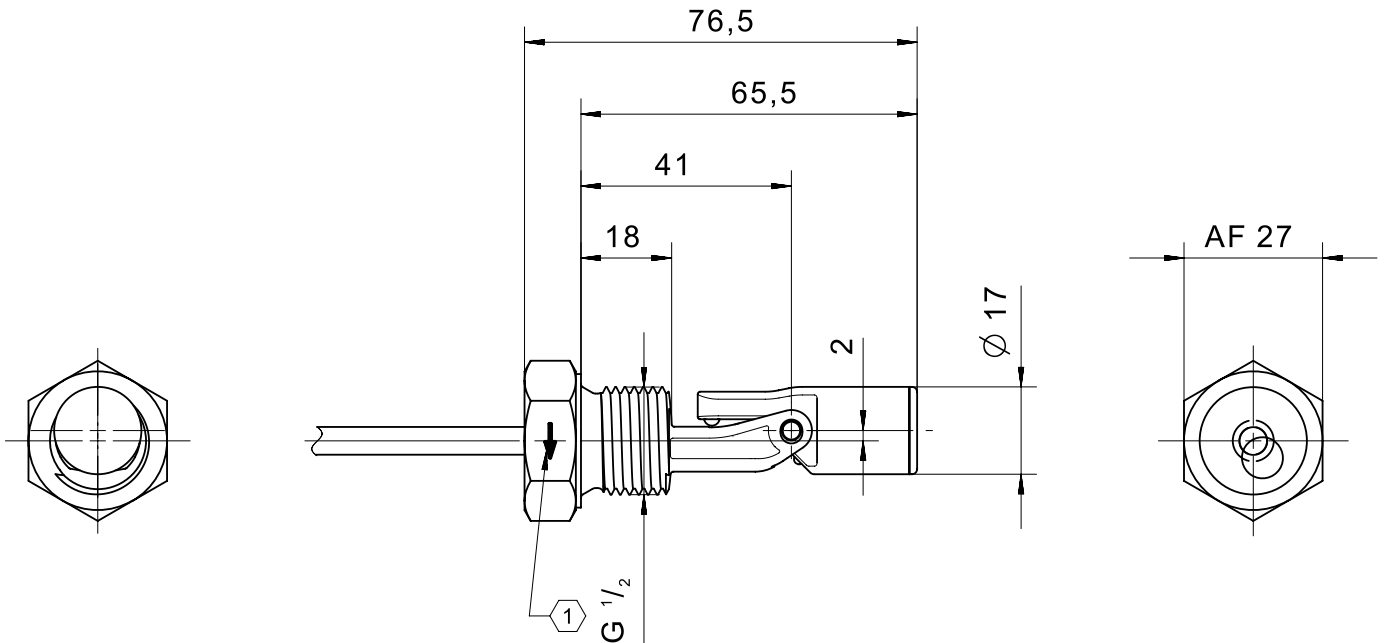


IMAGE 10/12

204KS..G.....



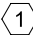
 marking for mounting position

IMAGE 11/12

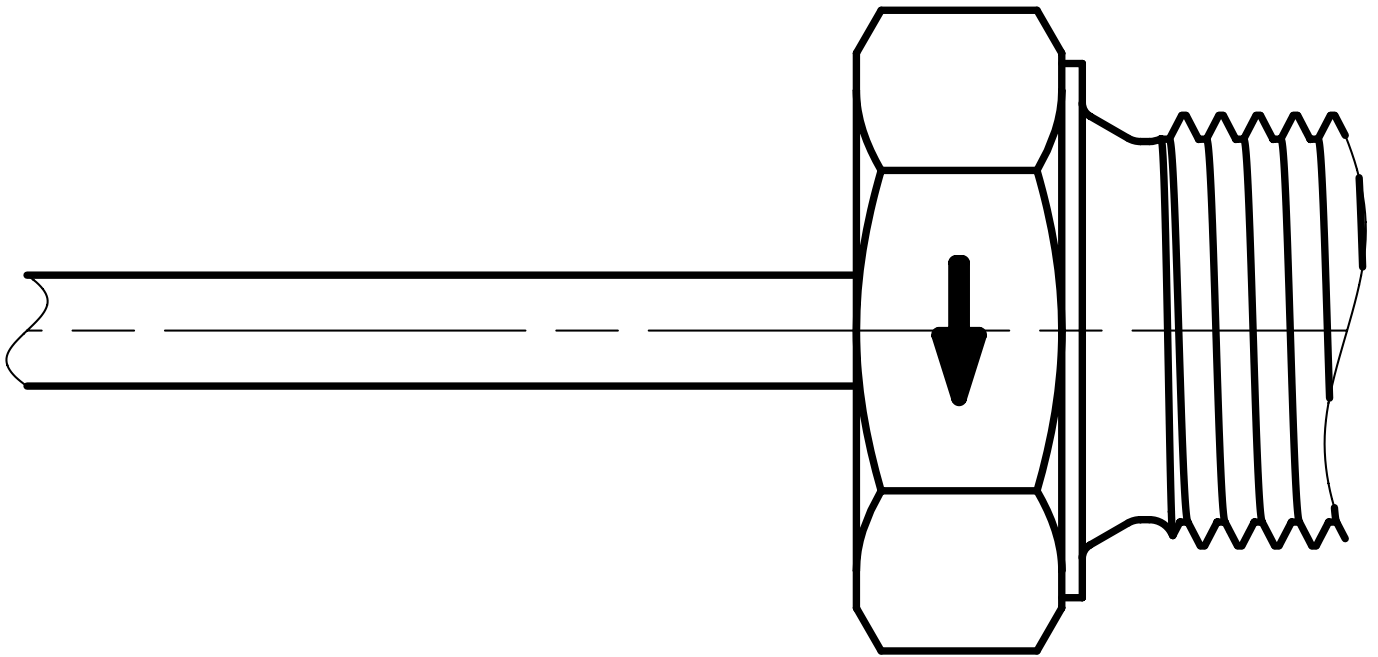
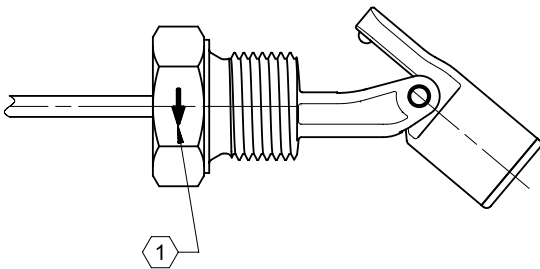


IMAGE 12/12

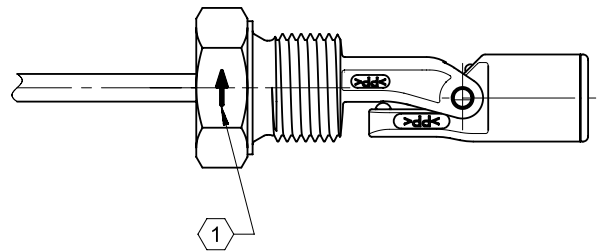


204KS0.G.....
204KS1.G.....

BN ———— / ———— WH

204KS2.G.....

BN ———— / ———— GN
 / ———— WH



204KS0.G.....
204KS1.G.....

BN ———— / ———— WH

204KS2.G.....

BN ———— / ———— GN
 / ———— WH

Product options

IMAGE 1/1

ORDERING KEY

204KS						Float switch side mount, short, mechanical hinge	
						Contact form	
	1					N.O. / N.C. max. 250 V	
	2					C.O. max. 48V	
						Housing material	
		2				PP	
		4				PA12	
						Connections	
			C			Connection thread M16x2, M12 connector, compression grommet	
			D			Connection thread M16x2, cable connection 1m, compression grommet	
			E			Connection thread G1/2, M12 connector	
			G			Connection thread G1/2, cable connection 1m	
						Material of compression grommet	
				0		No seal*	* Only for connections E and G
				T		TPE (Santoprene)	
						Material of cable sheath	
					1H	PVC, cable length 1m*	* Only for connections D and G
					00	Only if selected with M12 connector*	* Only for connections C and E
						Other cable lengths*	* Only for connections D and G
					-3	Cable length 3m	
					-5	Cable length 5m	
					-10	Cable length 10m	

Optional

More materials for housings, compression grommets, cable sheathing on request

Article characteristics

Attribute	204KS12CT00	204KS12DT1H	204KS12E000	204KS12G01H	204KS14CT00	204KS14DT1H ▶
Max. switching voltage	250 V DC					
Max. switching voltage	250 V AC					
Max. switching current	1 A					
Max. switching power	50 W					
Contact form	1A or 1B					
Output signal	digital					
Technology	Reed					
Float diameter	17 mm					
Version	Mechanical hinge, small version					
Housing material	PP			PA12		
Float material	PP			PA12		
Cable material	-	PVC	-	PVC	-	PVC
Operating temperature min.	-25 °C					
Max. operating temperature	105 °C					
Pressure resistance	3 bar					
Protection class outside container	IP67 DIN EN 60529					
Protection class inside container	IP68 DIN EN 60529					
Mounting type	Compression grommet		Thread		Compression grommet	
Thread	-		G 1/2		-	
Installation opening	D22-23		G1/2		D22-23	
Connector type	M12	-	M12	-	M12	-
Cable length	-	1 m	-	1 m	-	1 m

Article characteristics

Attribute	204KS14E000	204KS14G01H	204KS22CT00	204KS22DT1H	204KS22E000	204KS22G01H ▶
Max. switching voltage	250 V DC		48 V DC			
Max. switching voltage	250 V AC		48 V AC			
Max. switching current	1 A		0.5 A			
Max. switching power	50 W		10 W			
Contact form	1A or 1B		1C			
Output signal	digital					
Technology	Reed					
Float diameter	17 mm					
Version	Mechanical hinge, small version					
Housing material	PA12		PP			
Float material	PA12		PP			
Cable material	-	PVC	-	PVC	-	PVC
Operating temperature min.	-25 °C					
Max. operating temperature	105 °C					
Pressure resistance	3 bar					
Protection class outside container	IP67 DIN EN 60529					
Protection class inside container	IP68 DIN EN 60529					
Mounting type	Thread		Compression grommet		Thread	
Thread	G 1/2		-		G 1/2	
Installation opening	G1/2		D22-23		G1/2	
Connector type	M12	-	M12	-	M12	-
Cable length	-	1 m	-	1 m	-	1 m

Article characteristics

Attribute	204KS24CT00	204KS24DT1H	204KS24E000	204KS24G01H
Max. switching voltage	48 V DC			
Max. switching voltage	48 V AC			
Max. switching current	0.5 A			
Max. switching power	10 W			
Contact form	1C			
Output signal	digital			
Technology	Reed			
Float diameter	17 mm			
Version	Mechanical hinge, small version			
Housing material	PA12			
Float material	PA12			
Cable material	-	PVC	-	PVC
Operating temperature min.	-25 °C			
Max. operating temperature	105 °C			
Pressure resistance	3 bar			
Protection class outside container	IP67 DIN EN 60529			
Protection class inside container	IP68 DIN EN 60529			
Mounting type	Compression grommet		Thread	
Thread	-		G 1/2	
Installation opening	D22-23		G1/2	
Connector type	M12	-	M12	-
Cable length	-	1 m	-	1 m