



## Joystick Handle 361G/362G

### Ergonomic actuation for right or left hand users.

The modular design of the ergonomic joystick handle allows it to be flexibly adapted to suit many applications. It offers a cost effective solution, even in low purchase quantities.

### Technical specifications

- The Joystick grip 361G has been ergonomically designed for right handed operators, and 362G for left handed operators
- Fully illuminated, night and function illumination options are also available
- The CAN controller integrated in the handle facilitates a simple bus connection (CANopen / SAE J1939)
- Optionally available with capacitive presence detection
- Handle available with micro push button switches for use outside of the cabin
- Various colour choices are available for the mounted operator controls

### Technical drawing

IMAGE 1/2

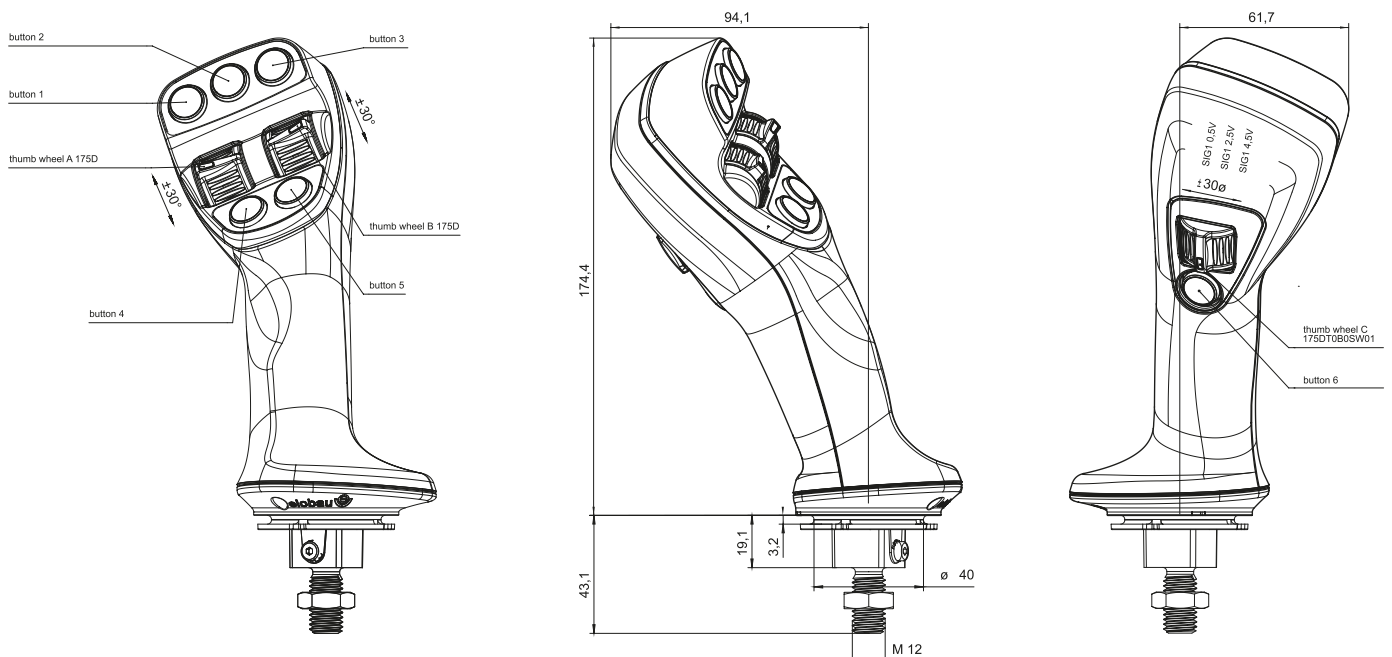
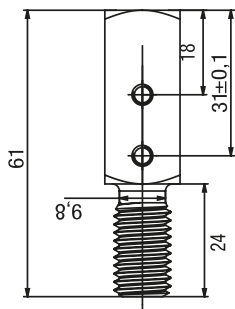


IMAGE 2/2

## Installation adapter

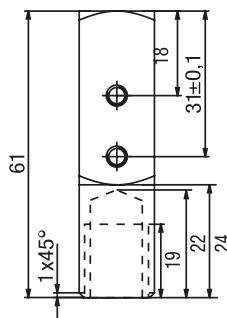
### Standard

Handle axis  
External thread M12

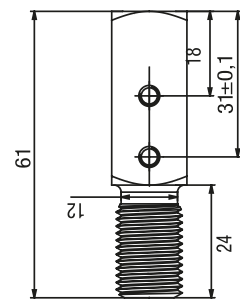


### Optional

Handle axis  
Inner thread M12

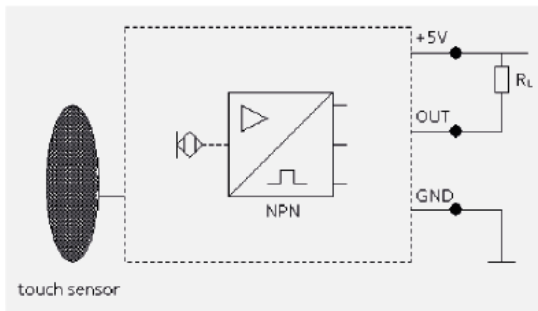


Handle axis  
External thread M14 x 1.5



## Product options

IMAGE 1/1



### Capacitive presence detection

The 361G/362G is optionally available with a capacitive touch sensor to detect when operators are touching the handle.

*Capacitive presence detection is not permissible for safety-critical applications!*

### Article characteristics

Attribute	36.G...
Operating temperature min.	-25 °C
Max. operating temperature	85 °C
Min. storage temperature	-40 °C
Max. storage temperature	85 °C
Shock resistance (Norm)	EN 60068-2-27
Cable length	0.5 m