

Lockout bar for guardlocking

Unintentional closing of the guard door is prevented by the bolt. The bolt is secured by 3 \varnothing 7.2 mm holes. A bolt diameter of 4.5 mm to 7.0 mm secures the locking function.

To lock the actuator head, the bolt must be fed into the actuator head in the open position.

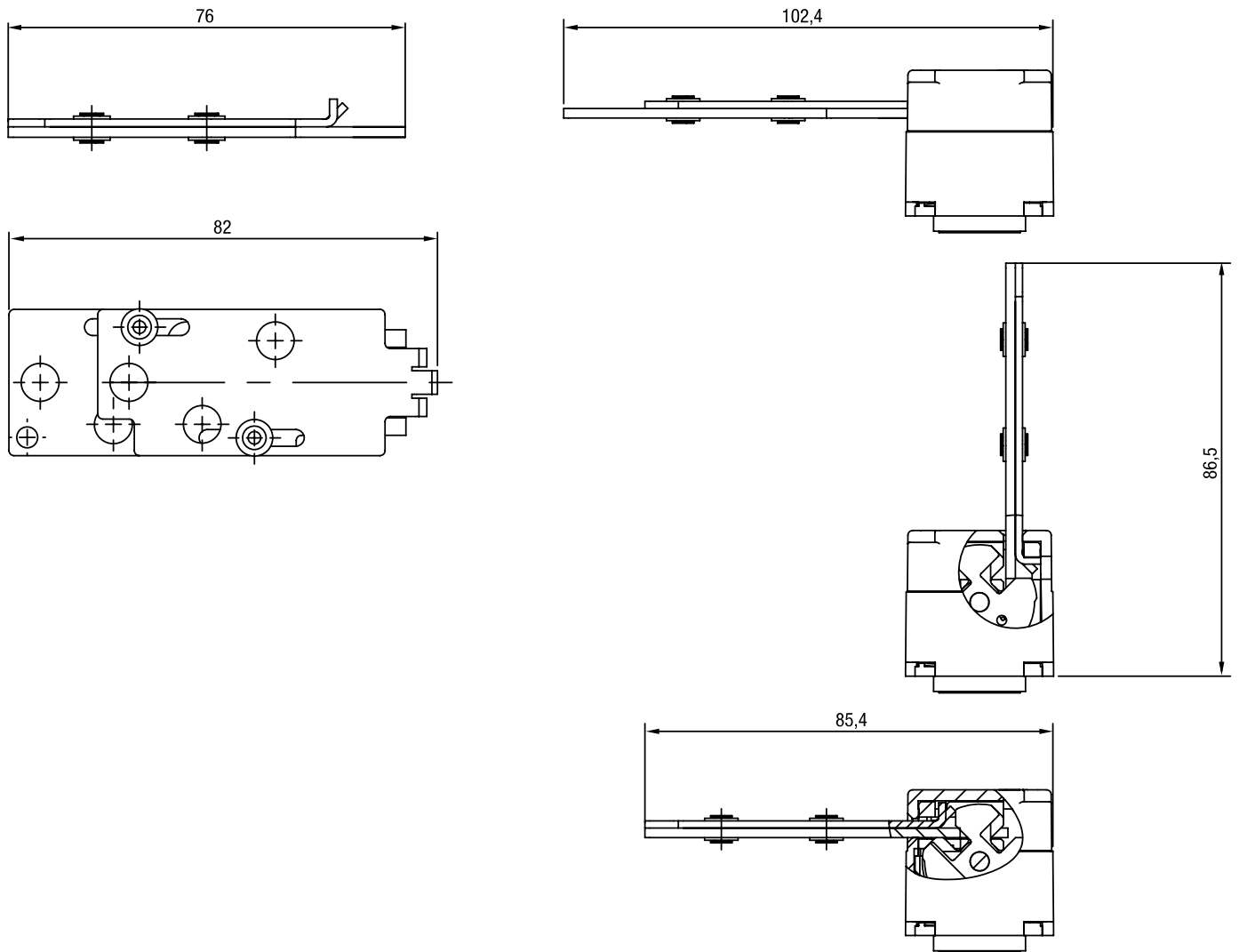
Then, the feeder is inserted into the actuator head until the holes overlap.

Product characteristics

- Material: stainless steel 1.4301

Technical drawing

IMAGE 1/1



Article characteristics

Attribute	ZEOS
Pin diameter	4,5 - 7 mm
Number of bore holes	3
Dimensions	76 x 28 x 3 mm (H/B/T)
Housing material	Edelstahl 1.4308
Mounting type	inserted