

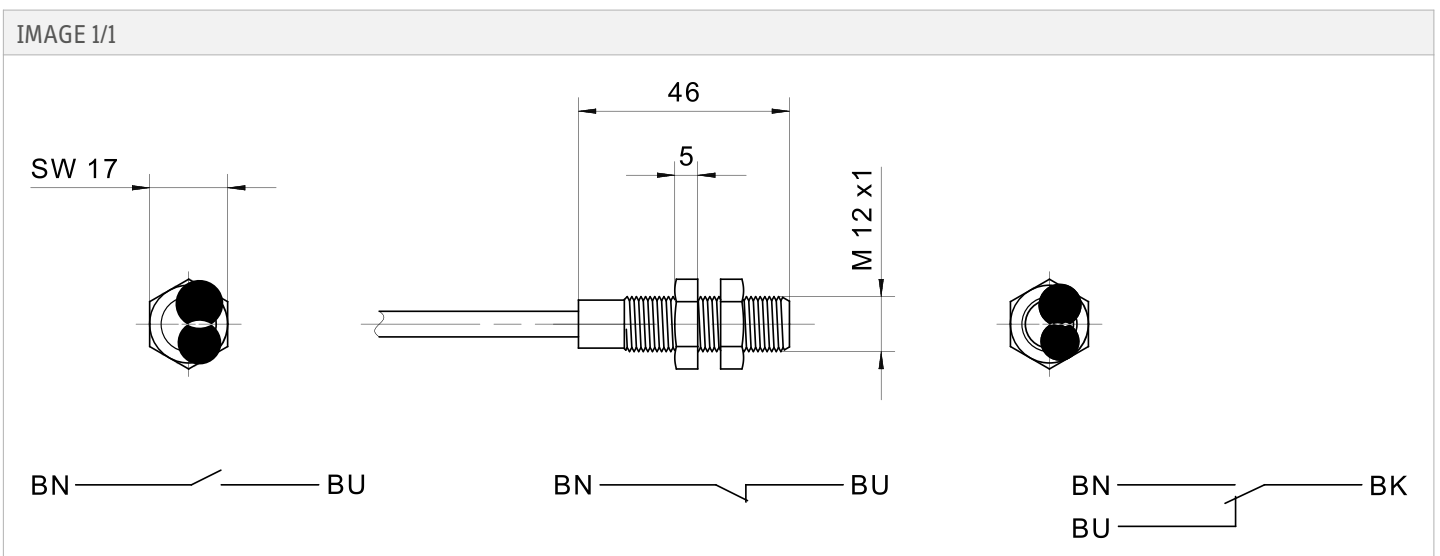


Magnetic sensor 122

Product characteristics

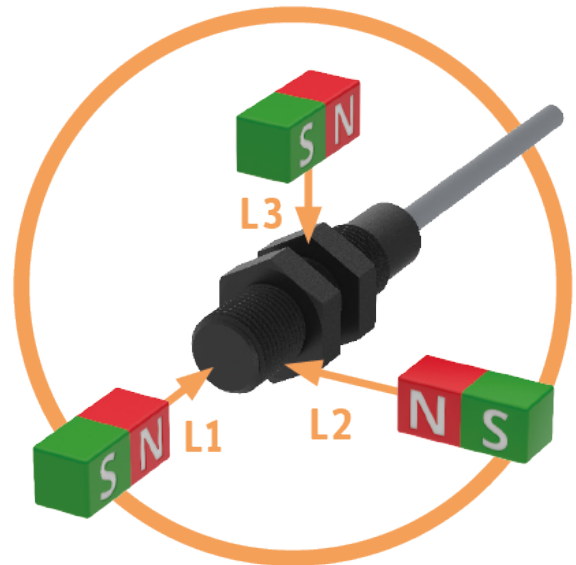
- Magnetic sensor on reed-contact basis
- Small sensor design
- Simple mounting with external thread and fastening nuts
- PA housing
- M12 x 1 x 46 mm
- PVC cable

Technical drawing



Product options

IMAGE 1/2



TYPICAL SWITCHING DISTANCES

	122210			122210V			122220		
ACTUATORS	L1	L2	L3	L1	L2	L3	L1	L2	L3
324790	12	10	6	12	10	6	8	8	4
300790	15	14	10	15	14	10	11	12	7
300780	24	16	16	24	16	16	18	15	12

	122230		
ACTUATORS	L1	L2	L3
324790	17	15	10
300790	22	19	14
300780	32	25	23

Further actuators and switching distances on request

IMAGE 2/2

ORDERING KEY

122			Magnetic sensor, reed contact
	210		N.O. – cable connection 1 m
	210V		N.O. – cable connection 1 m – stainless steel
	220		N.C. – cable connection 1 m
	230		C.O. – cable connection 1 m
			Other electrical data on request
			Other available cable lengths
		-3	3 m
		-5	5 m
		-10	10 m
			Other cable materials and cable lengths on request

Article characteristics

Attribute	122230	122210	122210V	122220
Max. switching voltage	48 V DC			
Max. switching voltage	48 V AC			
Max. switching current	0.3 A	1 A		
Max. switching power	3 W	20 W		
Technology	Reed			
Contact form	CO	NO	NC	
LED display	No			
Actuation	arbitrary			
Switching principle	magnetic			
Dimensions	M12x1 L=46			
Housing design	cylindrical			
Mounting type	Thread			
Housing material	PA6	Edelstahl 1.4305	PA6	
Nut material	PA6	Edelstahl 1.4305	PA6	
Cable material	PVC			
Protection class	IP67 DIN EN 60529			
Operating temperature min.	-25 °C			
Max. operating temperature	75 °C			
Min. storage temperature	-25 °C			
Max. storage temperature	75 °C			
Min. cable temperature range, moving	-5 °C			
Max. cable temperature range, moving	70 °C			
Min. cable temperature range, fixed installation	-25 °C			
Max. cable temperature range, fixed installation	70 °C			
Cable length	1 m			