



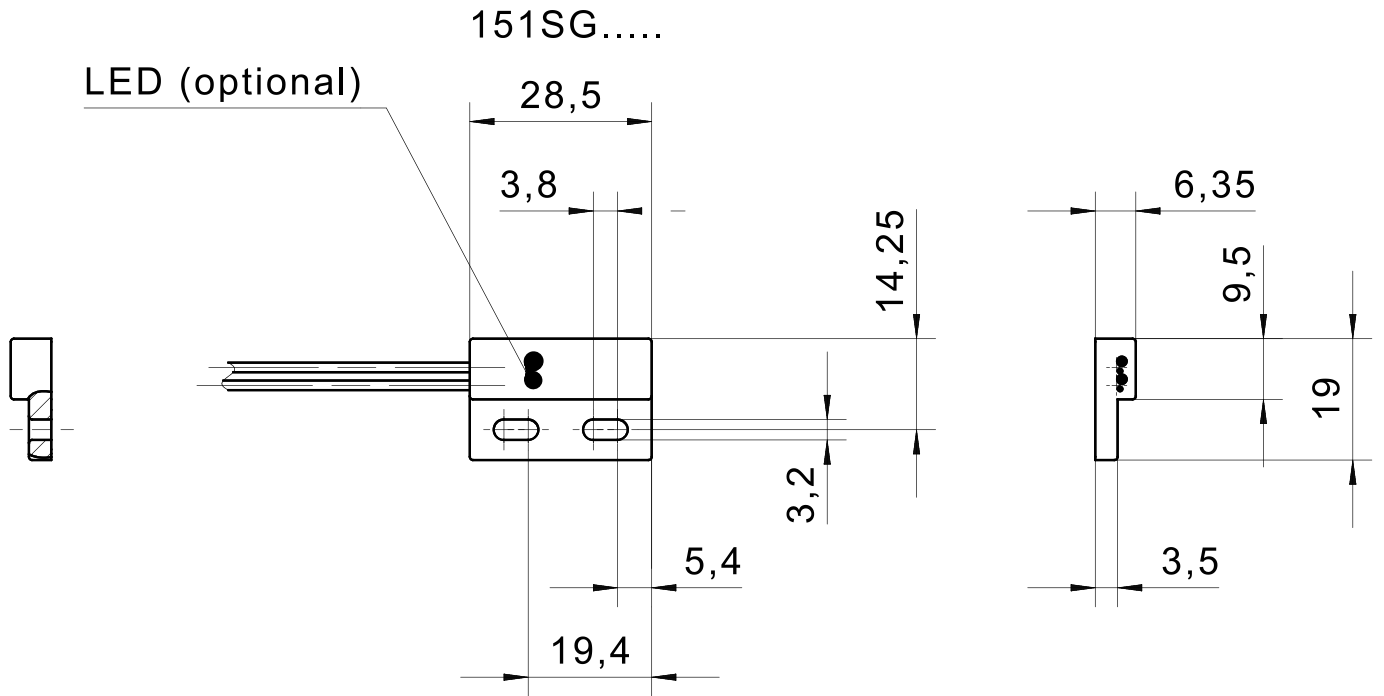
Magnetic sensor 151SG0

Product characteristics

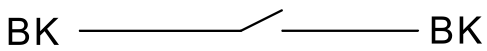
- Magnetic sensor on reed-contact basis
- Extremely flat housing with cable outlet for fast and flexible installation
- LED for simple visual status display
- PEI housing
- 28.5 x 19 x 6.35 mm
- PVC cable

Technical drawing

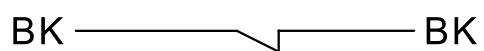
IMAGE 1/1



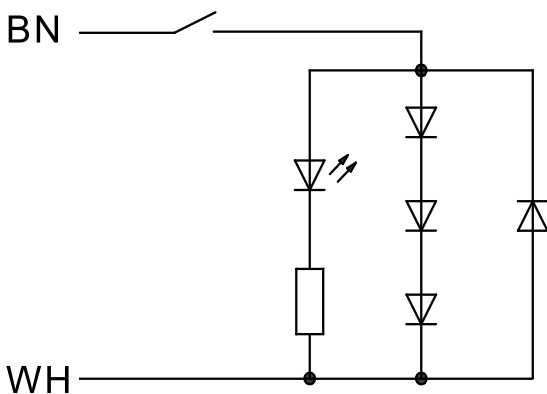
151SG010..



151SG020..

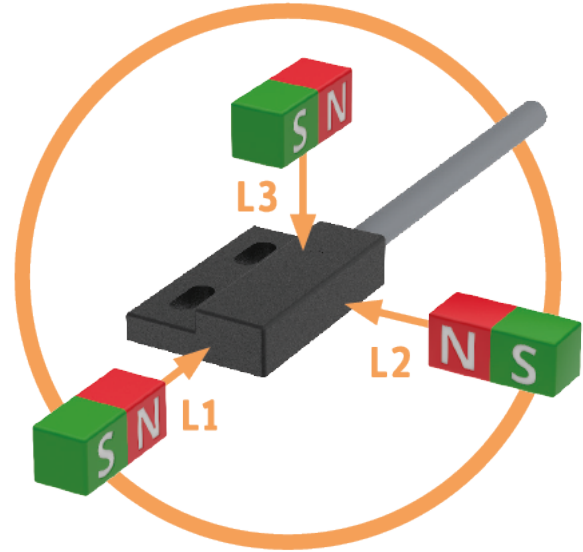


151SG01003



Product options

IMAGE 1/2



TYPICAL SWITCHING DISTANCES

	151SG010			151SG020			151SG030		
ACTUATORS	L1	L2	L3	L1	L2	L3	L1	L2	L3
324790	16 mm	14 mm	14 mm	15 mm	15 mm	12 mm	14 mm	15 mm	12 mm
324SG001S	8 mm	8 mm	17 mm	8 mm	8 mm	17 mm	7 mm	10 mm	17 mm

	151SG01003			151SG02003		
ACTUATORS	L1	L2	L3	L1	L2	L3
324790	15	8	7	12	15	11
324SG001S	9	4	13	5	8	14

Further actuators and switching distances on request

IMAGE 2/2

ORDERING KEY

151SG0			Flat switch, reed contact
	10		N.O. – wire outlet 0.3 m
	20		N.C. – wire outlet 0.3 m
	30		C.O. – cable connection 1 m
			Other electrical data on request
			Other available cable lengths
		-3	3 m
		-5	5 m
		-10	10 m
			Other cable materials and cable lengths on request
151SG0			Flat switch with LED, reed contact
	1003	-1	N.O. – cable connection 1 m
			Other available cable lengths
		-3	3 m
		-5	5 m
		-10	10 m
			Other cable materials and cable lengths on request

Article characteristics

Attribute	151SG010	151SG01003-1	151SG020	151SG030
Max. switching voltage	48 V DC	24 V DC	48 V DC	
Max. switching voltage	48 V AC	24 V AC	48 V AC	
Max. switching current	0.5 A	0.2 A	0.3 A	
Max. switching power	10 W		3 W	
Contact form	NO		NC	CO
Technology	Reed			
LED display	No	Yes	No	
Actuation	arbitrary			
Switching principle	magnetic			
Dimensions	28,5x19x6,4			
Housing design	cuboid			
Housing material	PA6	PEI	PA6	
Cable material	PVC			
Protection class	IP67 DIN EN 60529			
Operating temperature min.	-25 °C			
Max. operating temperature	70 °C	75 °C	70 °C	75 °C
Min. storage temperature	-25 °C			
Max. storage temperature	70 °C	75 °C	70 °C	
Min. cable temperature range, moving	-5 °C	-10 °C		-5 °C
Max. cable temperature range, moving	70 °C	90 °C	70 °C	
Min. cable temperature range, fixed installation	-30 °C	-25 °C	-30 °C	-25 °C
Max. cable temperature range, fixed installation	70 °C	90 °C	70 °C	
Mounting type	screwed			
Cable length	0.3 m	2 m	0.3 m	1 m