



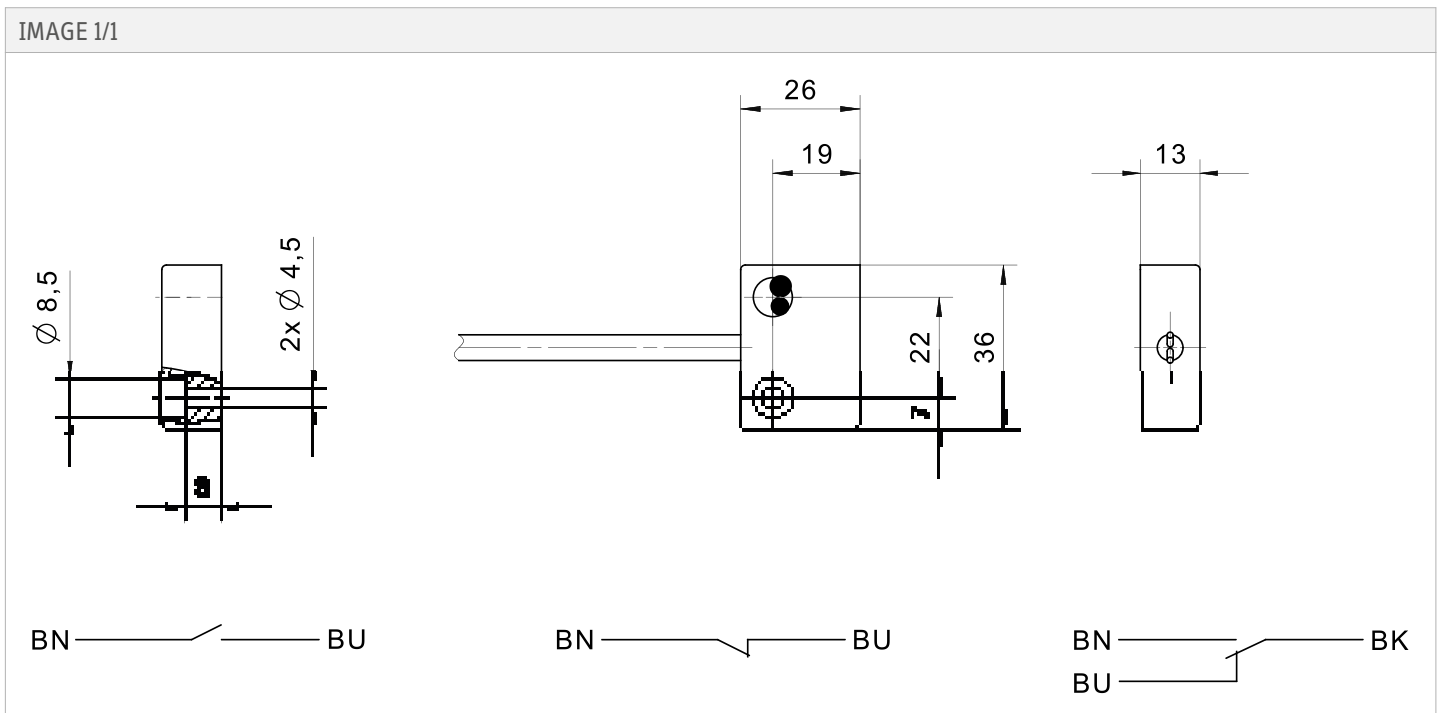
## Magnetic sensor 153

### Product characteristics

- Flat magnetic sensor on reed-contact basis
- PA housing
- 26 x 36 x 13 mm
- PVC cable

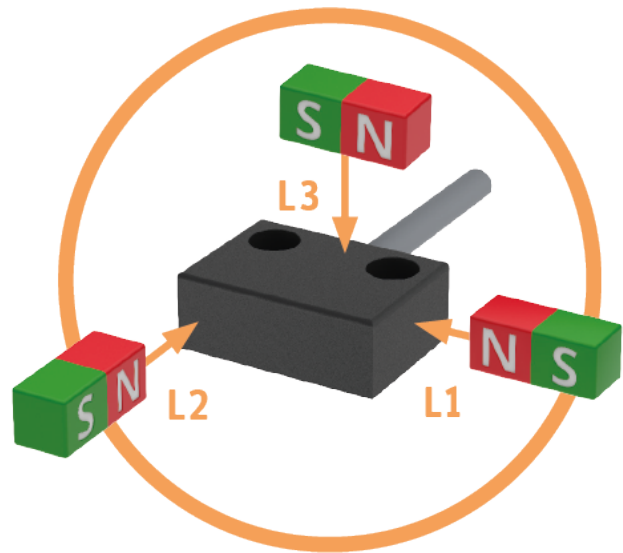
### Technical drawing

IMAGE 1/1



**Product options**

IMAGE 1/2



**TYPICAL SWITCHING DISTANCES**

	153210			153220			153230		
<b>ACTUATORS</b>	L1	L2	L3	L1	L2	L3	L1	L2	L3
324790	13 mm	6 mm	-	10 mm	5 mm	-	11 mm	12 mm	9 mm
300790	17 mm	9 mm	mm	13 mm	7 mm	6 mm	15 mm	15 mm	13 mm
300780	25 mm	12 mm	13 mm	22 mm	12 mm	13 mm	23 mm	20 mm	20 mm

Further actuators and switching distances on request

IMAGE 2/2

**ORDERING KEY**

153			Flat switch, reed contact
	210		N.O. – cable connection 1 m
	220		N.C. – cable connection 1 m
	230		C.O. – cable connection 1 m
			Other electrical data, housing with LED, on request
			<b>Other available cable lengths</b>
		-3	3 m
		-5	5 m
		-10	10 m
			Other cable materials and cable lengths on request

### Article characteristics

Attribute	153210	153220	153230
Max. switching voltage	48 V DC		
Max. switching voltage	48 V AC		
Max. switching current	0.5 A		1 A
Max. switching power	10 W		
Contact form	NO	NC	CO
Technology	Reed		
LED display	No		
Actuation	arbitrary		
Switching principle	magnetic		
Dimensions	36x26x13		
Housing design	cuboid		
Housing material	PA6		
Cable material	PVC		
Protection class	IP67 DIN EN 60529		
Operating temperature min.	-25 °C		
Max. operating temperature	70 °C	75 °C	
Min. storage temperature	-25 °C		
Max. storage temperature	70 °C		75 °C
Min. cable temperature range, moving	-5 °C		-15 °C
Max. cable temperature range, moving	70 °C		80 °C
Min. cable temperature range, fixed installation	-25 °C		-40 °C
Max. cable temperature range, fixed installation	70 °C		80 °C
Mounting type	screwed		
Cable length	1 m		