



Miniature float switch 2011

elobau miniature float switch 2011.0 with G 3/8 thread is typically used for level detection in medical applications, e.g., in cleaning containers of dialysis devices. The compact design and reliability also make this ideal for use in water processing plants and tanks.

At elobau, you set the standard. The miniature float switch can be fully customised using our online configurator.

Product characteristics

- Level measurement on reed-contact basis
- Extremely compact design, one of the smallest float switches available on the market
- Mounting options: G 3/8
- With lock nut for easy installation
- Material: PVC (other materials on request: PP or PA)
- Switching voltage max. 48 V
- Contact form: N.O., N.C., changeover
- One switching point as standard
- Temperature range (PVC) from -10 °C to +65 °C max.
- IP67 protection class

Technical drawing

IMAGE 1/2

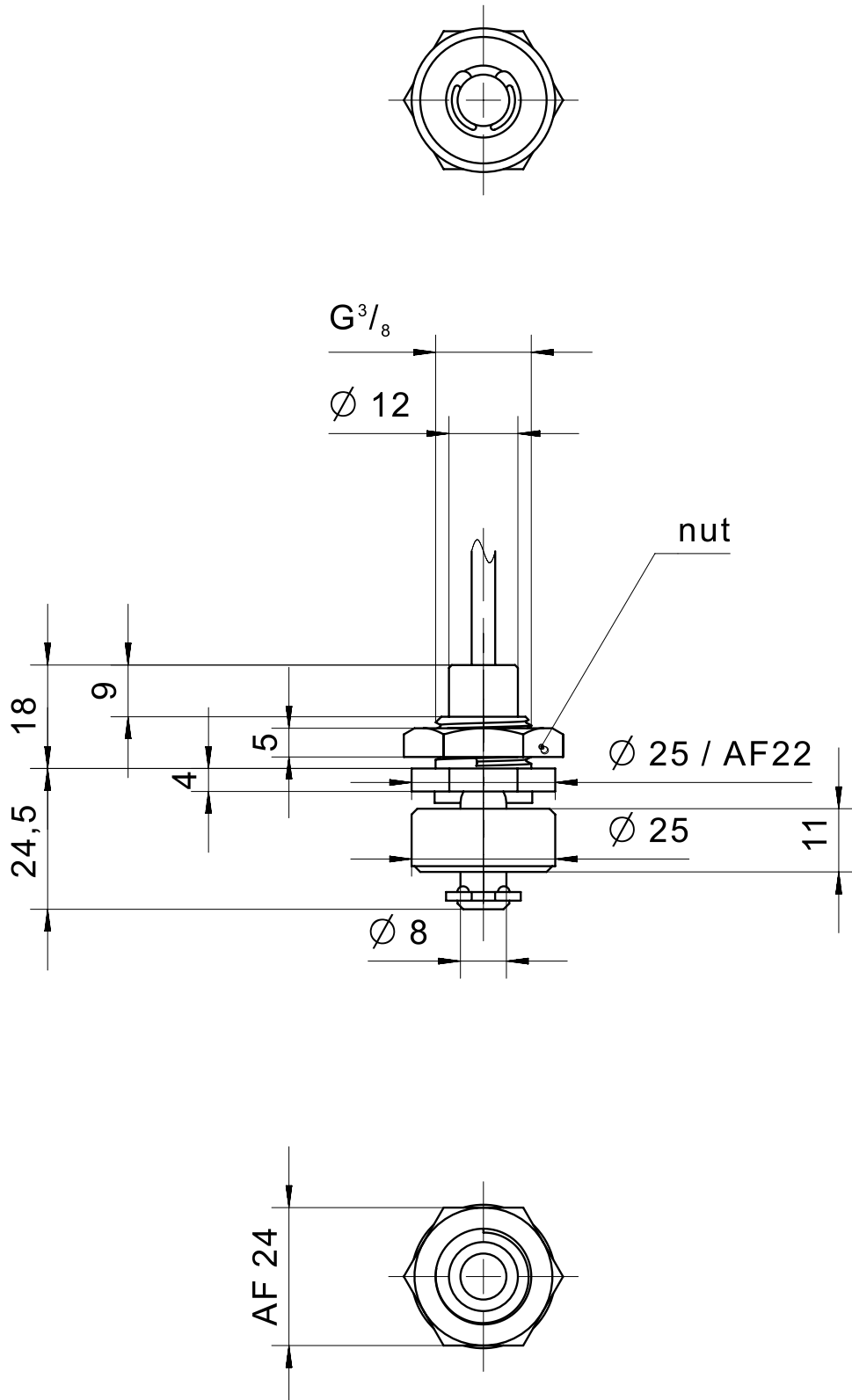
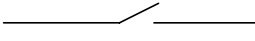
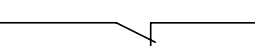


IMAGE 2/2

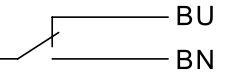
201110..

BN  WH

201120..

BN  WH

201130..

BK  BU
BN

Product options

IMAGE 1/1

ORDERING KEY

2011			Miniature float switch G3/8, compact design
	10		N.O. – material PVC – cable connection 1m
	20		N.C. – material PVC – cable connection 1m
	30		C.O. – material PVC – cable connection 1m
			Other materials (PP, PA) on request
			Other available cable lengths
		-3	3 m
		-5	5 m
		-10	10 m
			Other cable materials and cable lengths on request

Article characteristics

Attribute	201110	201120	201130
Max. switching voltage	48 V DC		
Max. switching voltage	48 V AC		
Max. switching current	0.5 A		0.3 A
Max. switching power	10 W		3 W
Contact form	1A	1B	1C
Output signal	digital		
Technology	Reed		
Switching point function	Rising level		
Change of switching function by turning the float	no		
Recommended minimum density of the medium	0.8 g/cm ³		
Float diameter	25 mm		
Version	Straight		
Housing material	PVC		
Float material	PVC		
Riser material	PVC		
Cable material	PVC		
Operating temperature min.	-10 °C		
Max. operating temperature	65 °C		
Pressure resistance	3 bar		
Protection class outside container	IP67 DIN EN 60529		
Protection class inside container	IP68 DIN EN 60529		
Installation	from inside		
Mounting type	Thread		
Thread	G 3/8		
Riser diameter	8 mm		
Riser length	25 mm		
Installation opening	G 3/8		
Torque	3 N m		
Connector type	-		
Cable length	1 m		