



Miniature float switch 20341103

Miniature float switch 20341103 made of stainless steel is used primarily in the chemical industry. The level detection sensor was developed for use in aggressive media, such as acids.

The miniature float switch is a cost-effective solution that can be fully customised to suit your needs, and is reversible by rotating the float. At elobau, you set the standard. The miniature float switch can be fully customised using our online configurator.

Product characteristics

- Level measurement on reed-contact basis
- Mounting options: G 1/8 thread
- Material: stainless steel
- Switching voltage max. 48 V
- Contact form: N.O.
- One switching point as standard
- Temperature range from -25 °C to +100 °C
- IP67 protection class
- Extremely high pressure resistance up to 33 bar
- Optionally with temperature contact

Technical drawing

IMAGE 1/2

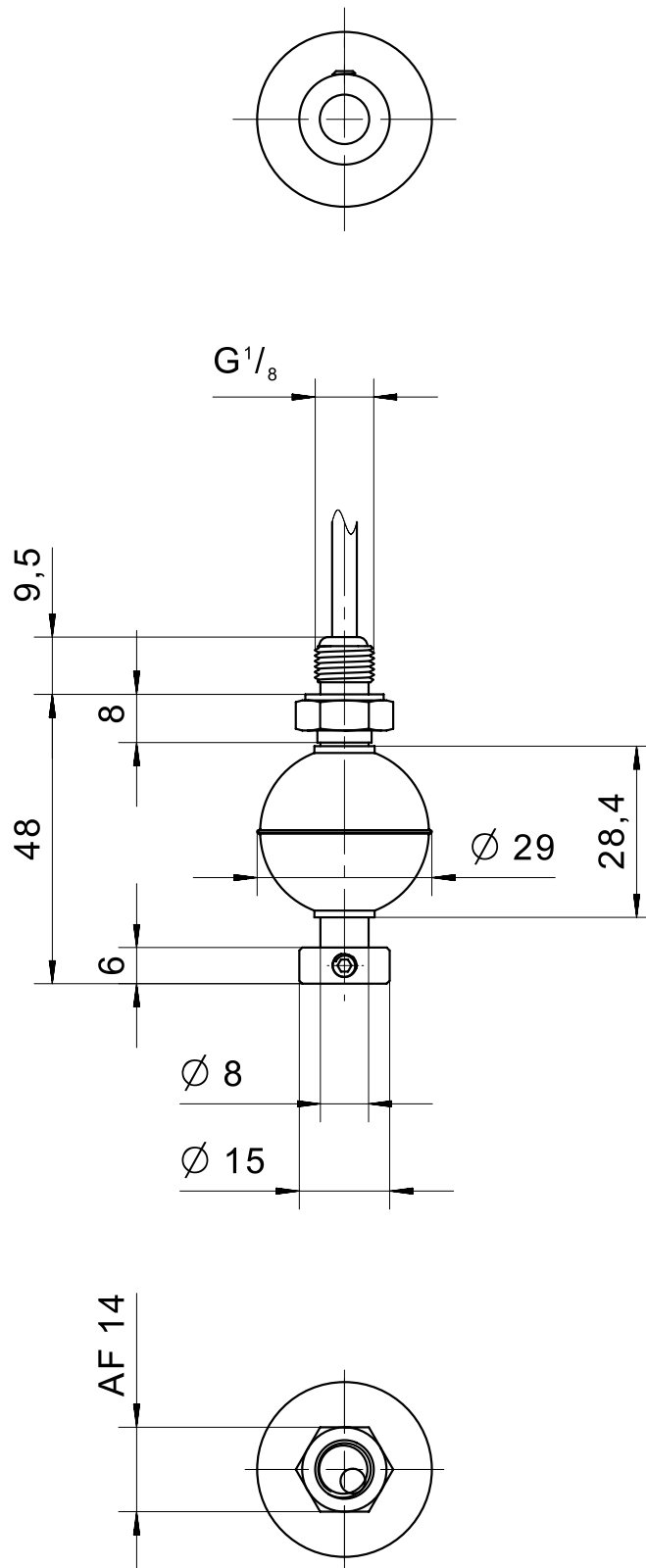
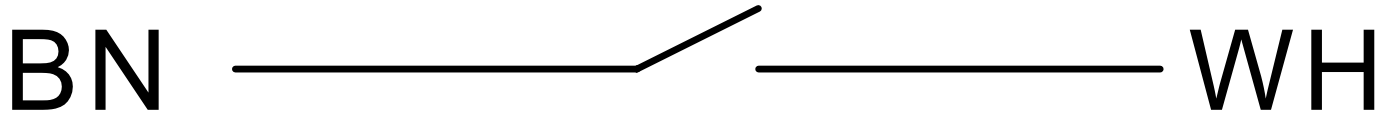


IMAGE 2/2



Product options

IMAGE 1/1

ORDERING KEY

Miniature float switch G1/8, stainless steel		
20341103		N.O. – material VA – cable connection 1m
		Other available cable lengths
	-3	3 m
	-5	5 m
	-10	10 m
		Other cable materials and cable lengths on request

Article characteristics

Attribute	20341103
Max. switching voltage	48 V DC
Max. switching voltage	48 V AC
Max. switching current	0.5 A
Max. switching power	10 W
Contact form	1A
Output signal	digital
Technology	Reed
Switching point function	Rising level
Change of switching function by turning the float	yes
Recommended minimum density of the medium	0.7 g/cm ³
Float diameter	29 mm
Version	Straight
Housing material	VA 1.4571
Float material	VA 1.4571
Riser material	VA 1.4571
Cable material	PVC
Operating temperature min.	-25 °C
Max. operating temperature	100 °C
Pressure resistance	33 bar
Protection class outside container	IP67 DIN EN 60529
Protection class inside container	IP68 DIN EN 60529
Installation	from inside
Mounting type	Thread
Thread	G 1/8
Riser diameter	8 mm
Riser length	48 mm
Installation opening	G 1/8
Torque	5 N m
Connector type	-
Cable length	1 m