



Miniature float switch 207A

elobau miniature float switch 207A with G 3/4 thread is used for level detection in tank monitoring, water processing, medical applications as well as in ink monitoring for automatic ink supply in industrial printers.

Float switch 207A is ideal for use in extremely tight spaces, as the outside mounting requires minimal installation space, and it has an extremely narrow float.

At elobau, you set the standard. The miniature float switch can be fully customised using our online configurator.

Product characteristics

- Level measurement on reed-contact basis
- Mounting options: G 3/4
- Material: housing – PVC / float – PP
- Switching voltage max. 48 V
- Contact form: N.O., N.C., changeover
- One switching point as standard
- Temperature range -10 °C to +65 °C
- IP67 protection class

Technical drawing

IMAGE 1/2

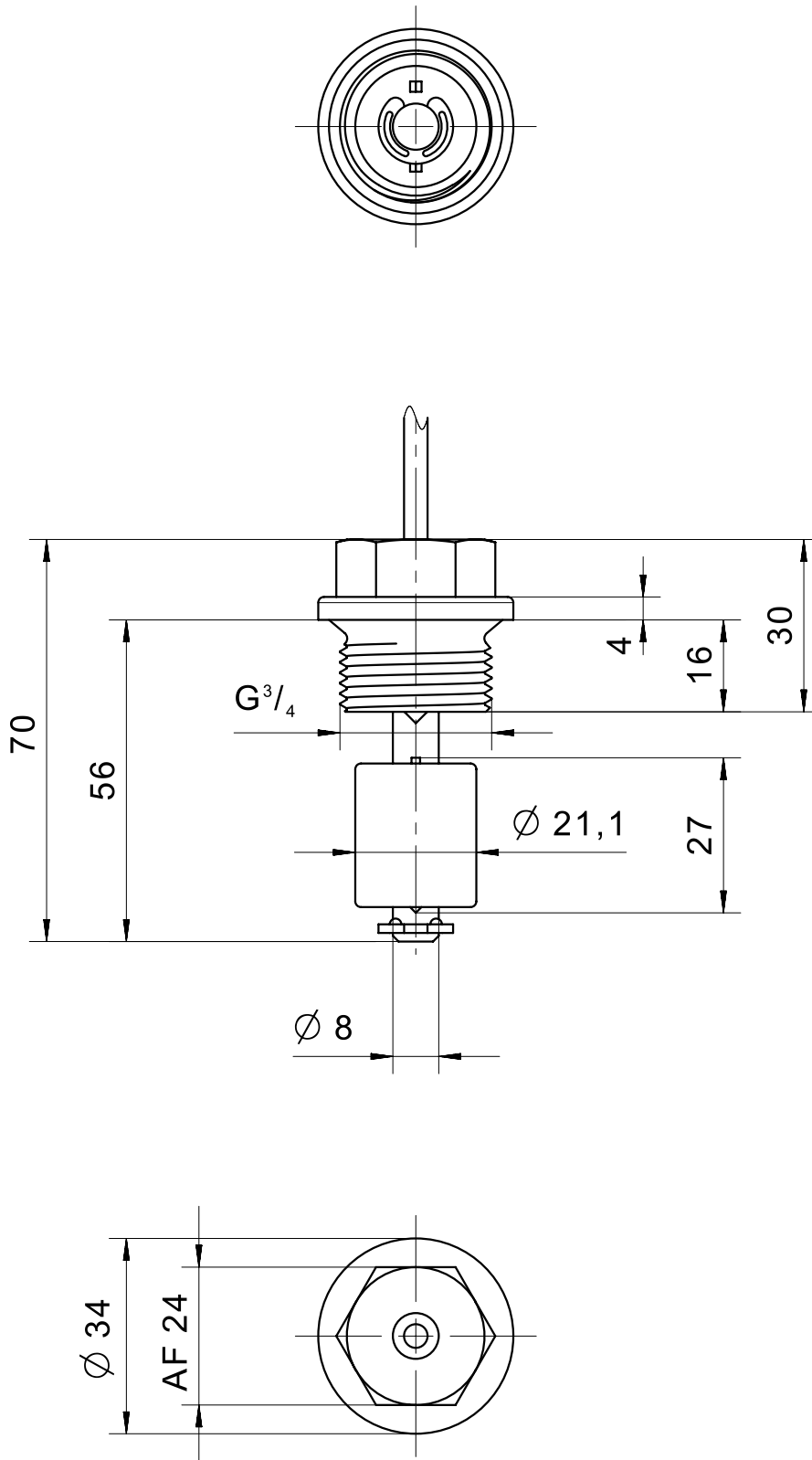
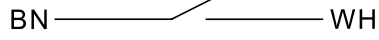
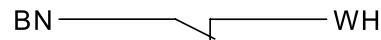


IMAGE 2/2

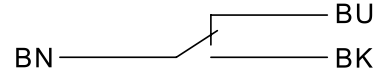
207A1..



207A2..



207A3..



Product options

IMAGE 1/1

ORDERING KEY

207A			Miniature float switch G3/4
	10		N.O. - material PVC/PP - cable connection 1 m
	20		N.C. - material PVC/PP - cable connection 1 m
	30		Changeover contact - material PVC/PP - cable connection 1 m
			Other available cable lengths
		-3	3 m
		-5	5 m
		-10	10 m
			Other cable materials and cable lengths on request

Article characteristics

Attribute	207A10	207A20	207A30
Max. switching voltage	48 V DC		
Max. switching voltage	48 V AC		
Max. switching current	0.5 A		0.3 A
Max. switching power	10 W		3 W
Contact form	1A	1B	1C
Output signal	digital		
Technology	Reed		
Switching point function	Rising level		
Change of switching function by turning the float	no	yes	no
Recommended minimum density of the medium	0.7 g/cm ³		
Float diameter	21 mm		
Version	Straight		
Housing material	PVC		
Float material	PP		
Riser material	PVC		
Cable material	PVC		
Operating temperature min.	-10 °C		
Max. operating temperature	65 °C		
Pressure resistance	3 bar		
Protection class outside container	IP67 DIN EN 60529		
Protection class inside container	IP68 DIN EN 60529		
Installation	from outside		
Mounting type	Thread		
Thread	G 3/4		
Riser diameter	8 mm		
Riser length	56 mm		
Installation opening	G 3/4		
Torque	10 N m		
Connector type	-		
Cable length	1 m		