



Miniature float switch 27481101

Miniature float switch 27481101 is made of stainless steel and was developed for the monitoring of aggressive or acidic fluids. It is ideal for use in extremely tight spaces, as the side mounting requires minimal installation space, and the M12 connector enables simple installation.

At elobau, you set the standard. The miniature float switch can be fully customised using our online configurator.

Product characteristics

- Level measurement on reed-contact basis
- Mounting options: G 1
- M12 connector
- Material: stainless steel
- Switching voltage max. 48 V
- Contact form: N.O.
- One switching point as standard
- Temperature range from -25 °C to +90 °C
- IP67 protection class

Technical drawing

IMAGE 1/3

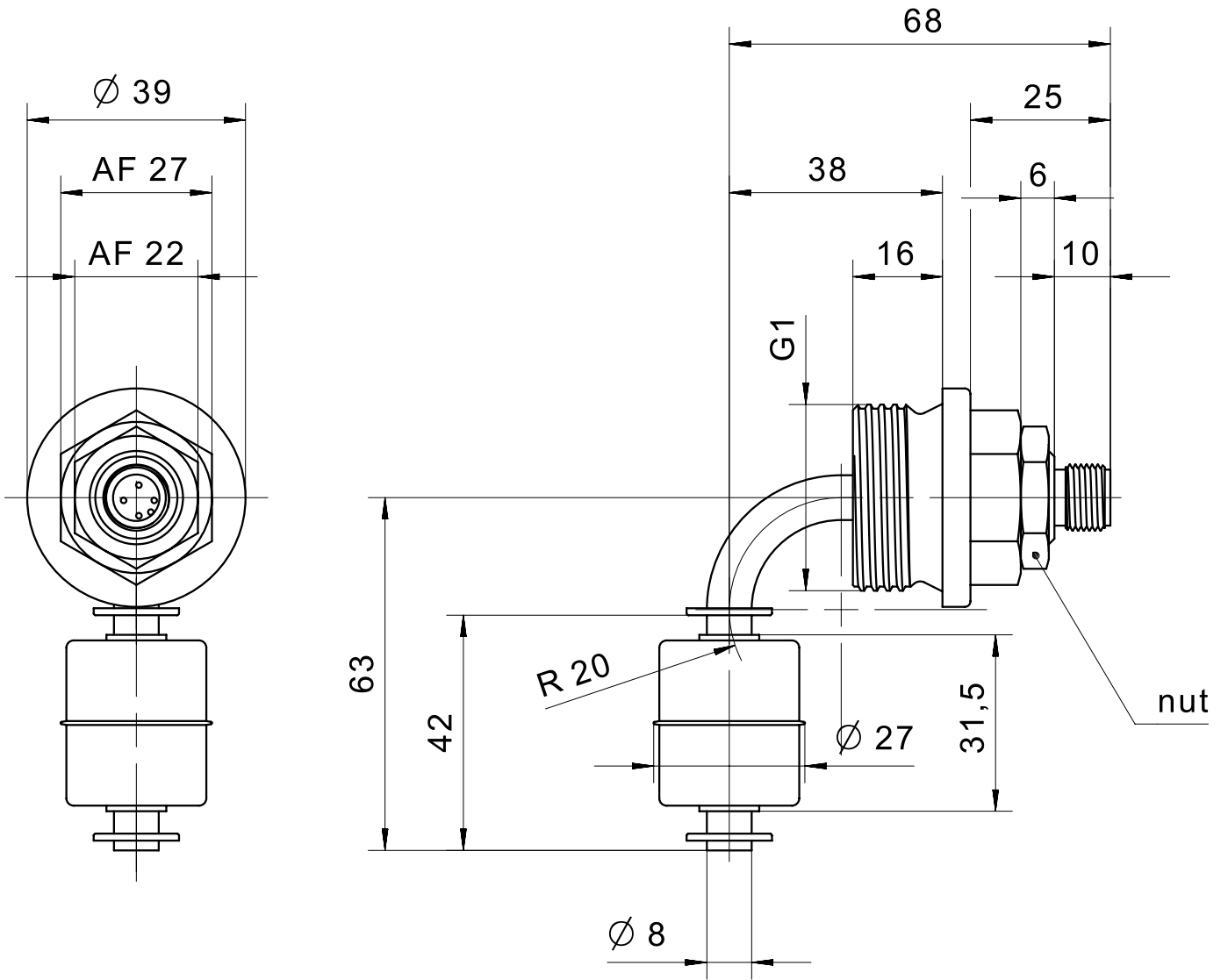


IMAGE 2/3

male M12

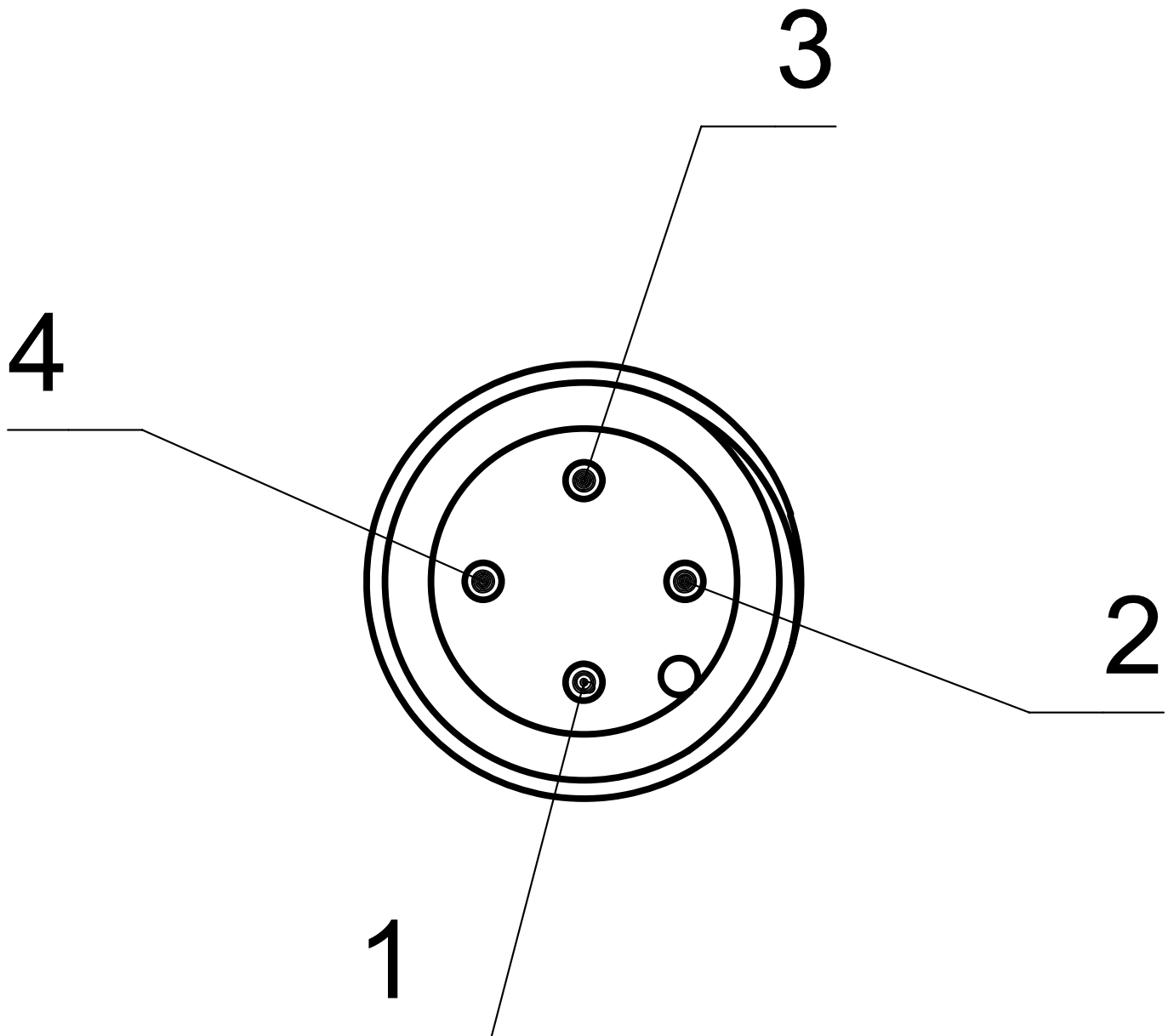
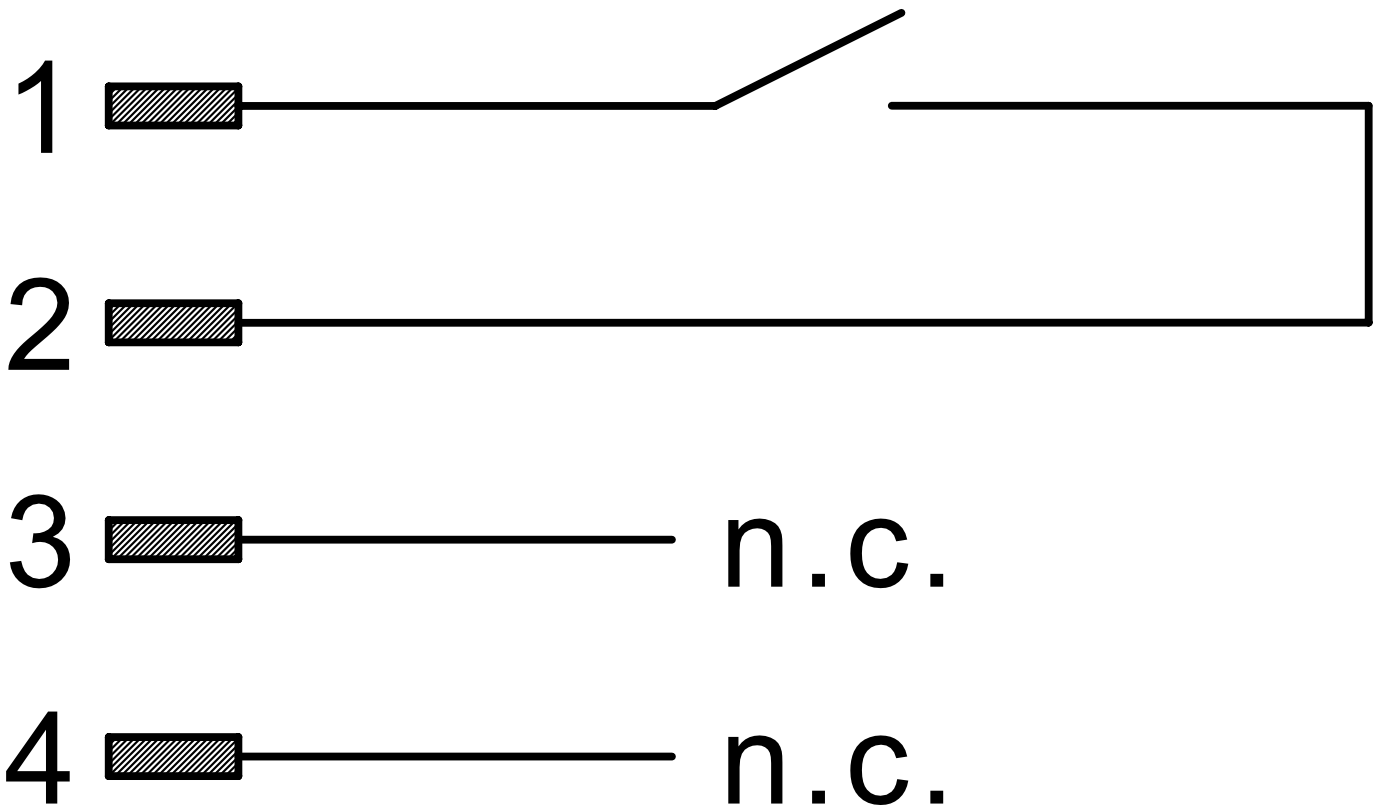


IMAGE 3/3



Product options

IMAGE 1/1

ORDERING KEY

	Miniature float switch G1, stainless steel
27481101	N.O. – material VA – M12 connector
	More connectors on request

Article characteristics

Attribute	27481101
Max. switching voltage	48 V DC
Max. switching voltage	48 V AC
Max. switching current	0.5 A
Max. switching power	10 W
Contact form	1A
Output signal	digital
Technology	Reed
Switching point function	Rising level
Change of switching function by turning the float	no
Recommended minimum density of the medium	0.67 g/cm ³
Float diameter	27 mm
Version	Angled
Housing material	VA 1.4571
Float material	VA 1.4571
Riser material	VA 1.4571
Operating temperature min.	-25 °C
Max. operating temperature	90 °C
Pressure resistance	25 bar
Protection class outside container	IP67 DIN EN 60529
Protection class inside container	IP68 DIN EN 60529
Installation	from outside
Mounting type	Thread
Thread	G 1
Riser diameter	8 mm
Installation opening	G 1
Torque	50 N m
Riser length	63/38mm
Connector type	M12x1 4pol.