



Mounting bracket for sensors

Product characteristics

- Suitable for M18 and M30 sensors
- Different materials and variants suitable for various installation situations

Technical drawing

IMAGE 1/4

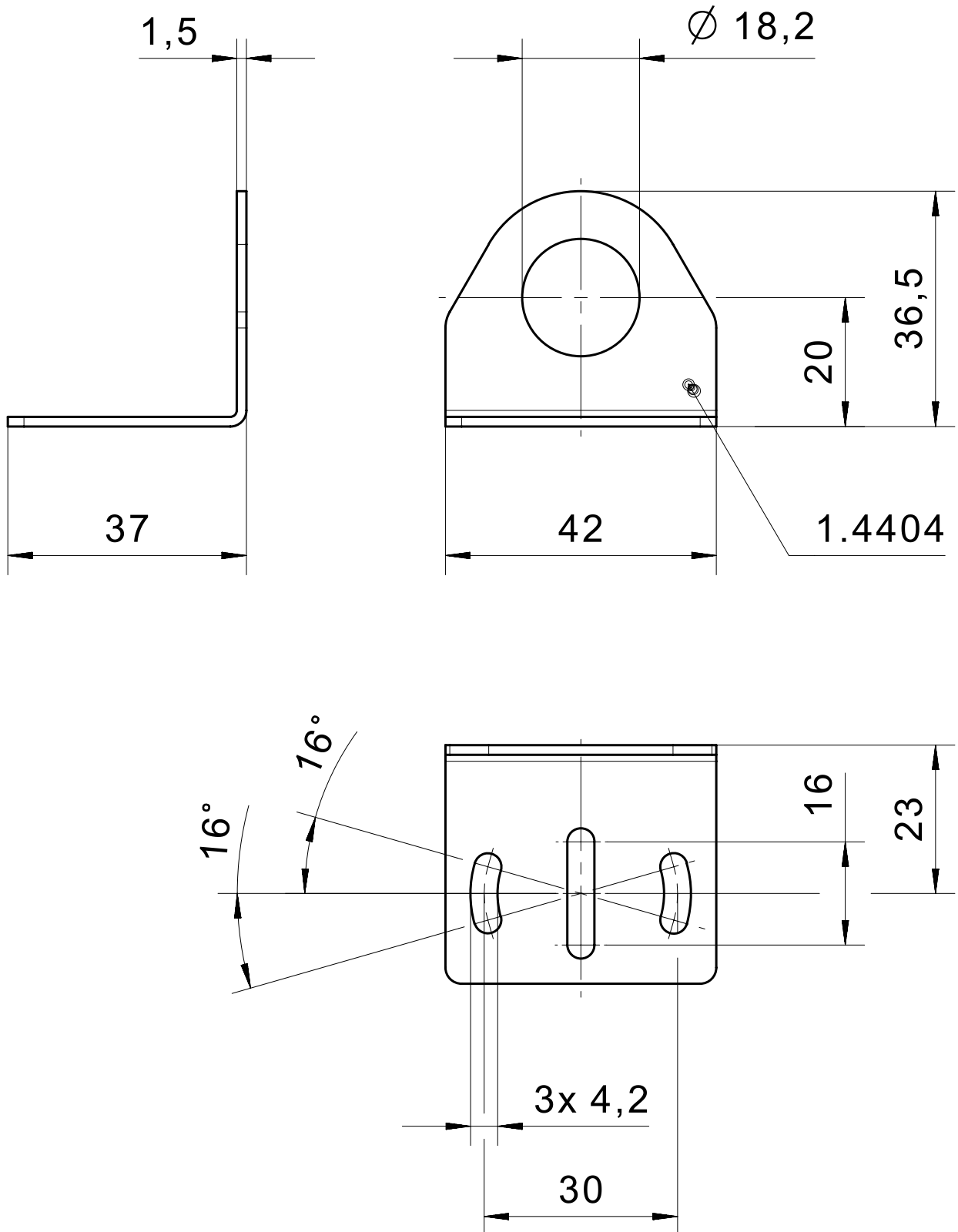


IMAGE 2/4

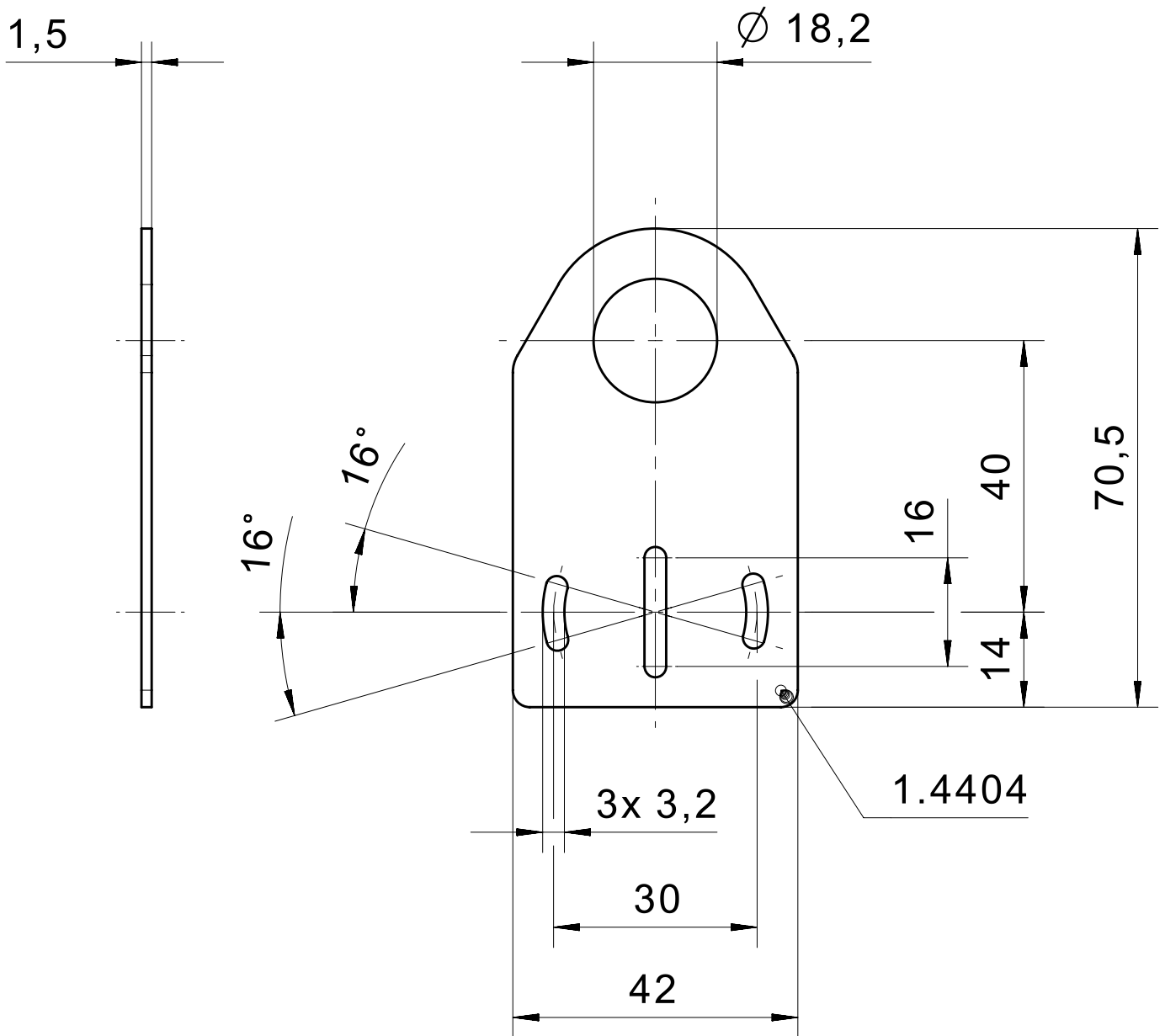


IMAGE 3/4

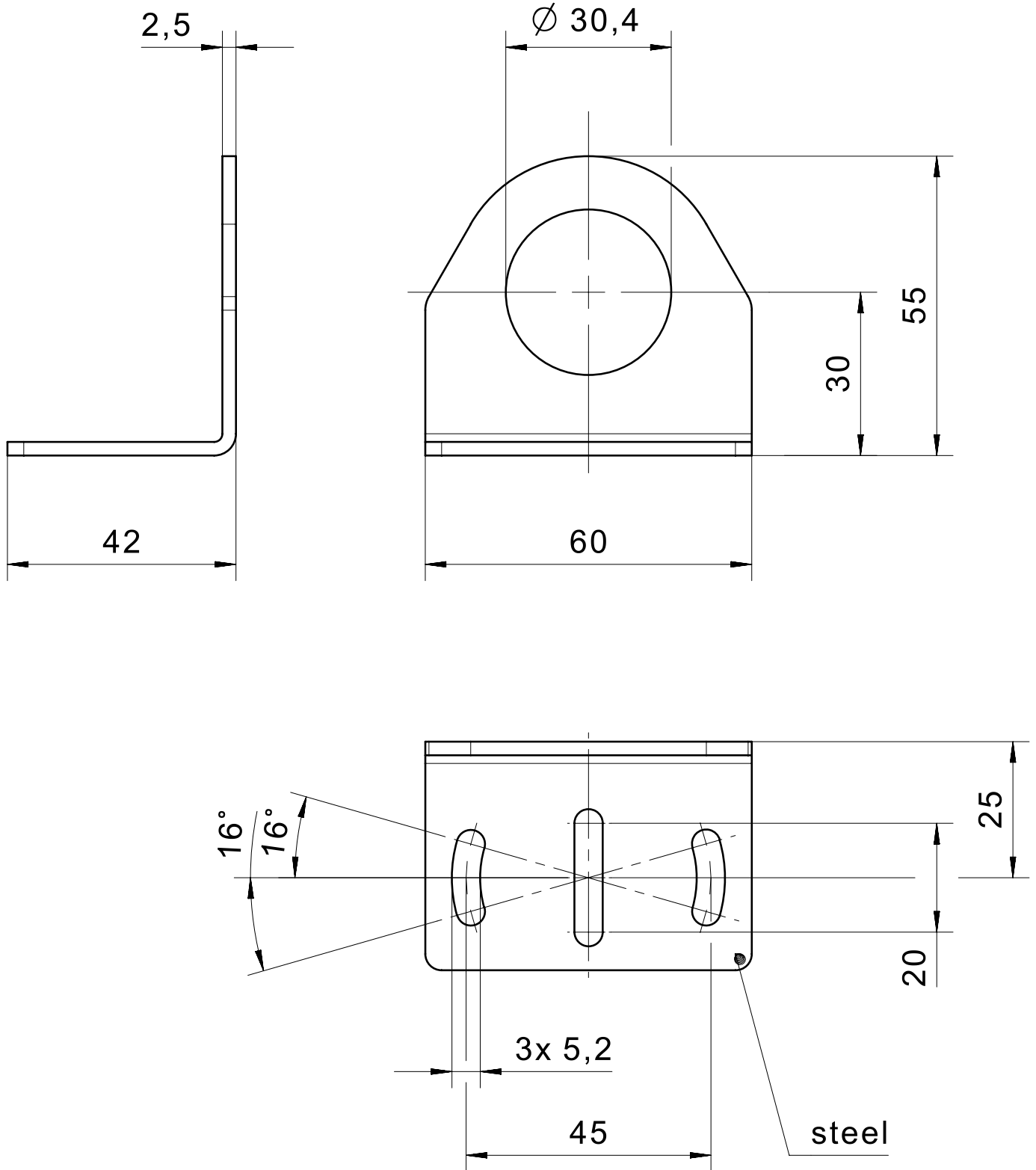
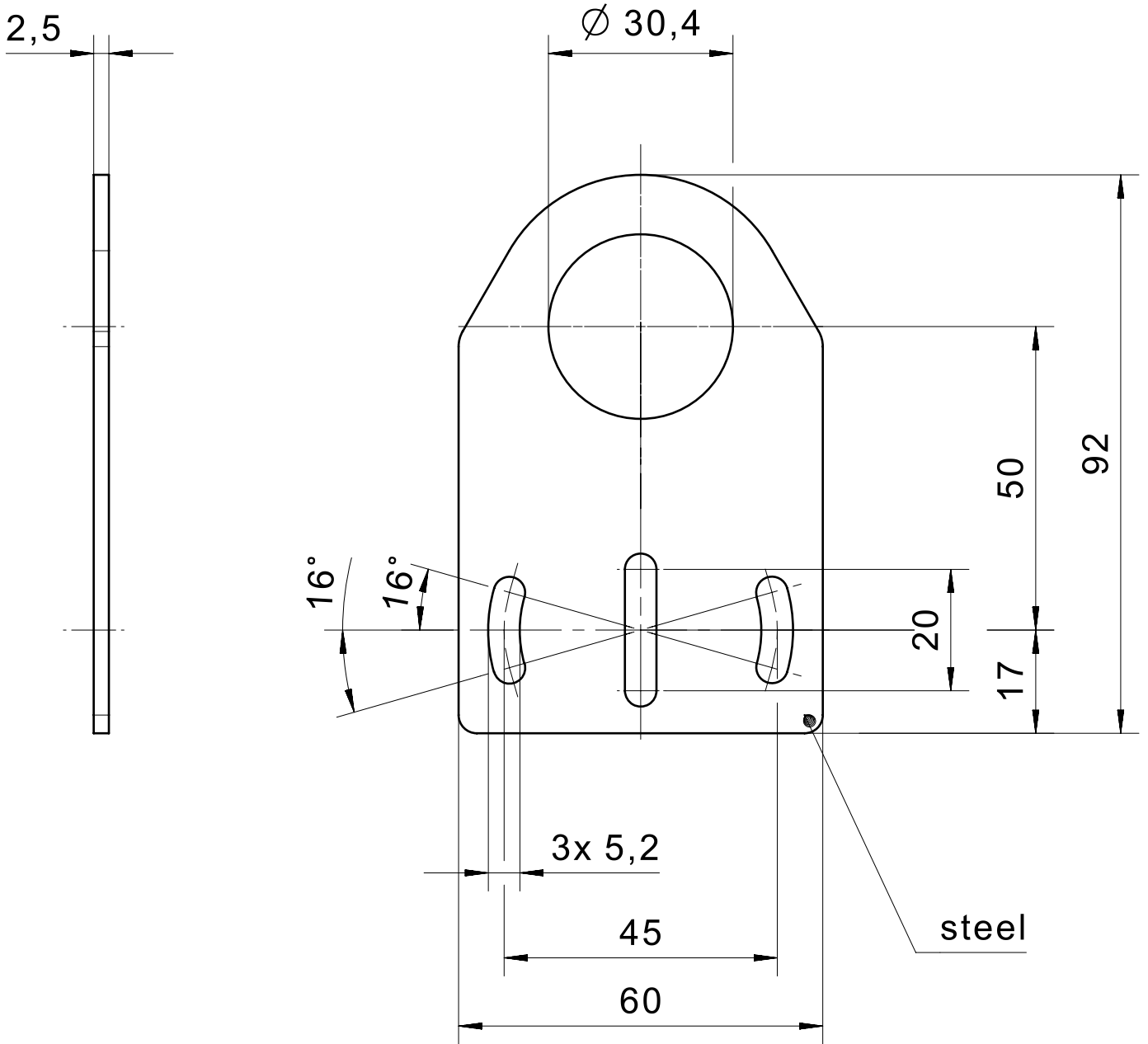


IMAGE 4/4



Product options

IMAGE 1/1

ORDERING KEY

M18VA-01	Mounting aid	M18 sensors (DIN 1.4404)
M18VA-090-01	Mounting brackets	M18 sensors (DIN 1.4404)
M30-01	Mounting aid	M30 sensors
M30-090-01	Mounting brackets	M30 sensors

Article characteristics

Attribute	M18VA-01	M18VA-090-01	M30-01	M30-090-01
Material	Stainless steel 1.4404		Metal	
Dimensions	70.5x42	36.5x42x37	92x60	55x60x42
Model	M18 design		M30 design	