



Mounting module

The mounting module is designed for use with the immersion float switch 20991102. The mounting module can connect up to 4 cable glands to which the immersion float switches are fixed. The screw connection allows maximum flexibility by free definition of the switching point height with minimum installation effort.

Product characteristics

- Suitable for immersion float switch 20991102
- G1 or G2 thread
- Up to 4 switching points can be achieved
- Switching point height flexibly adjustable by means of cable gland
- Materials: PA6 (mounting module) and NBR (seal)

Technical drawing

IMAGE 1/2

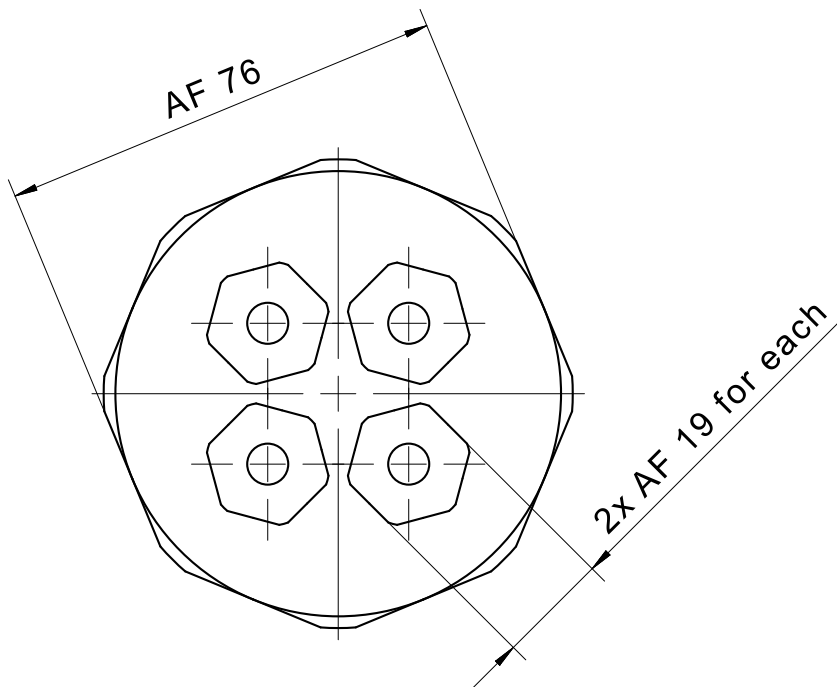
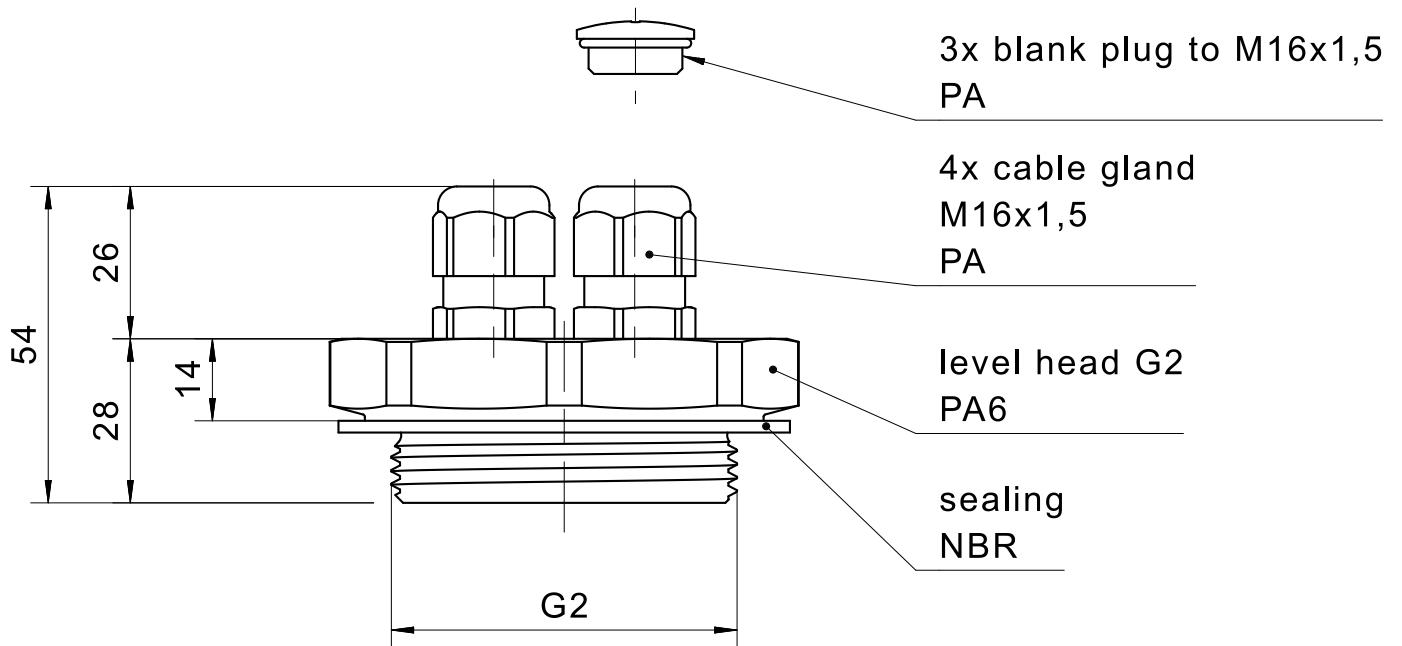
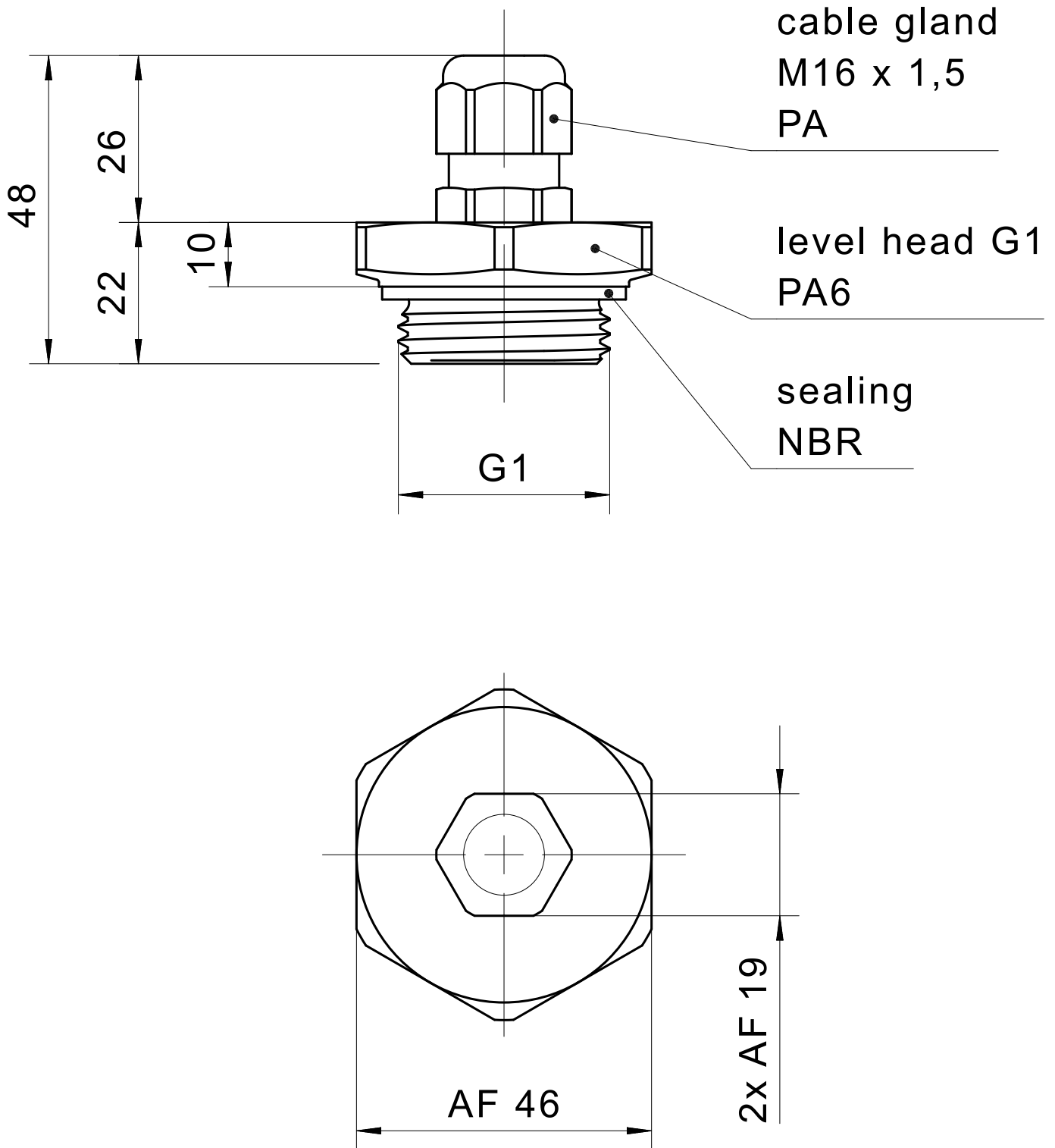


IMAGE 2/2



Article characteristics

Attribute	35020501	35020502
Suitable for	20991102	
Included with delivery	1xKabelverschraubung, 1xNiveaufkopf, 1xDichtring	4xKabelverschraubung, 1xNiveaufkopf, 1xDichtring, 3xBlindstopfen
Material	PA6 GF30	
Sealing material	NBR	
Operating temperature min.	-40 °C	
Operating temperature max.	90 °C	
Installation	from above	
Mounting type	screwed	
Thread	G 1	G 2
Installation opening	G1	G2
Torque	75 N m	125 N m
Number of cable glands	1	4