

Oxide magnet 30078 Ø26x11mm

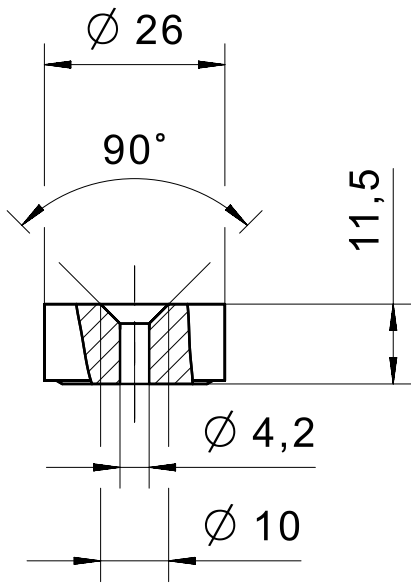
Product characteristics

- For use with magnetic sensors
- Simple installation with just one screw
- Large temperature range
- Hygienic design available
- Can be used in adverse environmental conditions thanks to the stainless steel housing

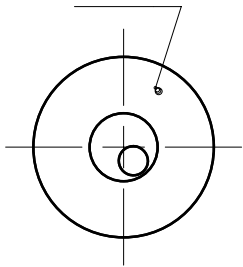
Technical drawing

IMAGE 1/1

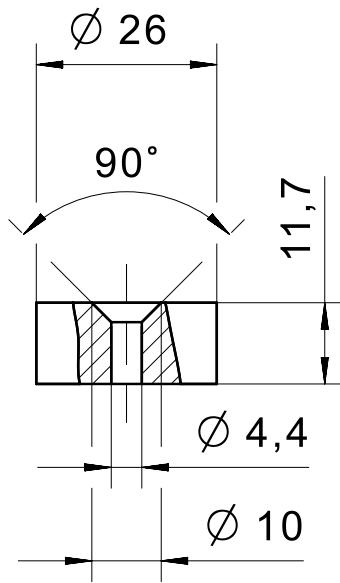
300780
300785



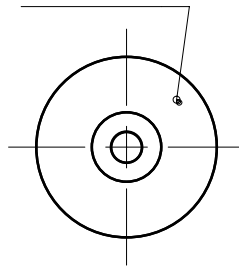
Pa6



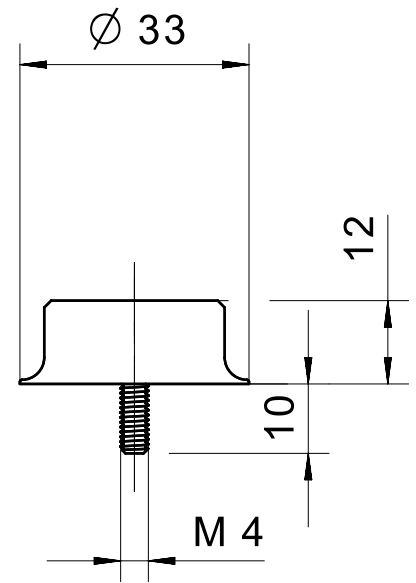
300780V
300785V



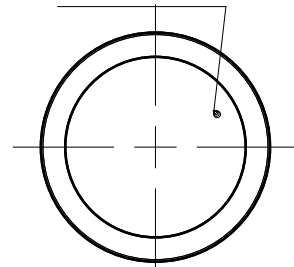
1.4404



300780VH
300785VH



1.4404



Product options

IMAGE 1/1

ORDERING KEY

3007			Oxide magnet with housing
	80		Magnetic field north – plastic housing
	80	V	Magnetic field north – stainless steel housing
	80	VH	Magnetic field north – hygienic version
	85		Magnetic field south – plastic housing
	85	V	Magnetic field south – stainless steel housing
	85	VH	Magnetic field north – hygienic version

Article characteristics

Attribute	300780	300780V	300780VH	300785	300785V	300785VH
Dimensions	Ø 26 / H=11,7		Ø 33 / H=12	Ø 26 / H=11,7		Ø 33 / H=12
Material	PA, hard ferrite	Stainless steel (1.4404), hard ferrite		PA, hard ferrite	Stainless steel (1.4404), hard ferrite	
Operating temperature min.	-20 °C					
Max. operating temperature	100 °C	80 °C		100 °C	80 °C	
Mounting type	Screw		Thread	Screw		Thread
Thread	-		M4x10	-		M4x10