

## Oxide magnet 30079 Ø23x8mm

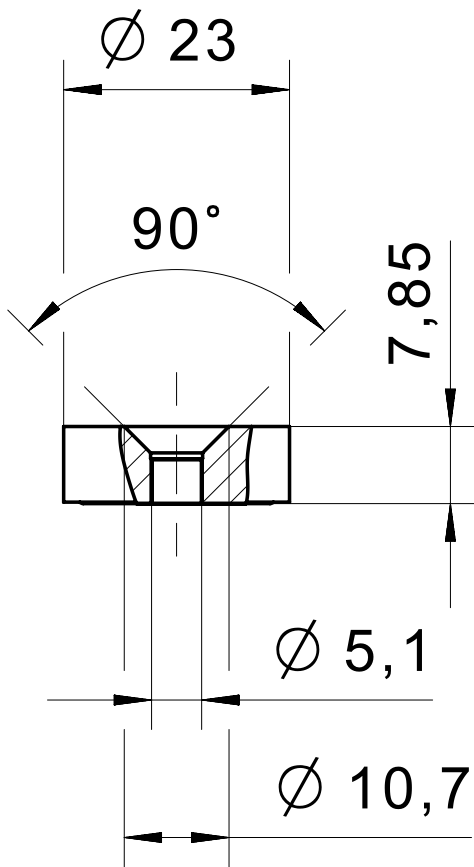
### Product characteristics

- For use with magnetic sensors
- Simple installation with just one screw
- Large temperature range
- Can be used in adverse environmental conditions thanks to the stainless steel housing

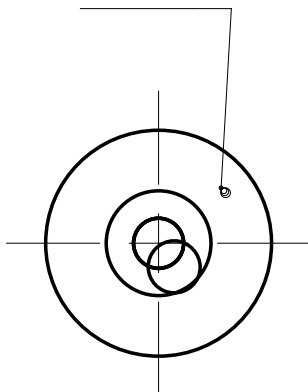
Technical drawing

IMAGE 1/1

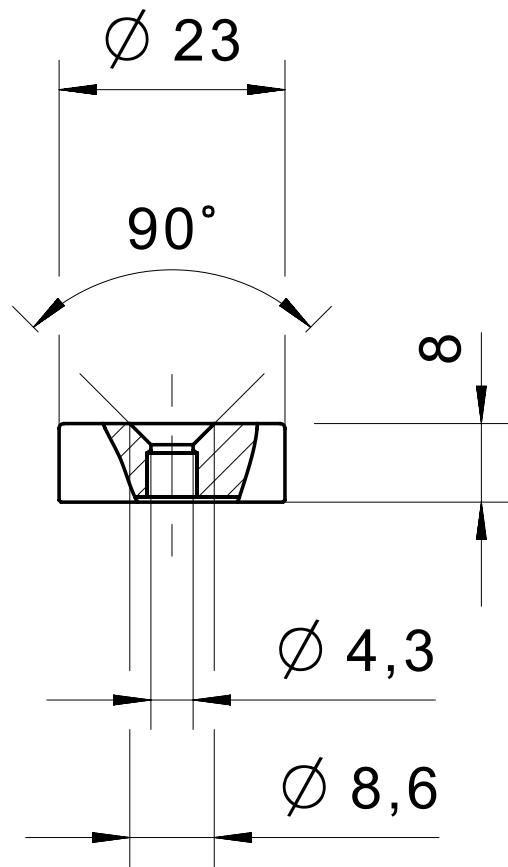
300790  
300795



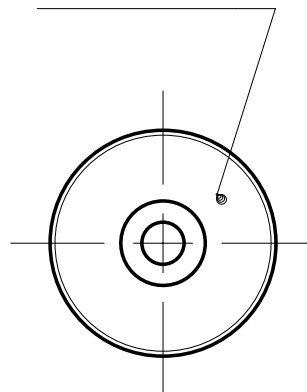
Pa6



300790V  
300795V



1.4404



**Product options**

IMAGE 1/1

**ORDERING KEY**

3007			Oxide magnet with housing
	90		Magnetic field north – plastic housing
	90	V	Magnetic field north – stainless steel housing
	95		Magnetic field south – plastic housing
	95	V	Magnetic field south – stainless steel housing

**Article characteristics**

Attribute	300790	300790V	300795	300795V
Dimensions	Ø 23 / H=8			
Material	PA, hard ferrite	Stainless steel (1.4404), hard ferrite	PA, hard ferrite	Stainless steel (1.4404), hard ferrite
Operating temperature min.	-20 °C			
Max. operating temperature	100 °C	80 °C	100 °C	80 °C
Mounting type	Screw			