

## Oxide magnet 3015.0 23x17.5x16mm

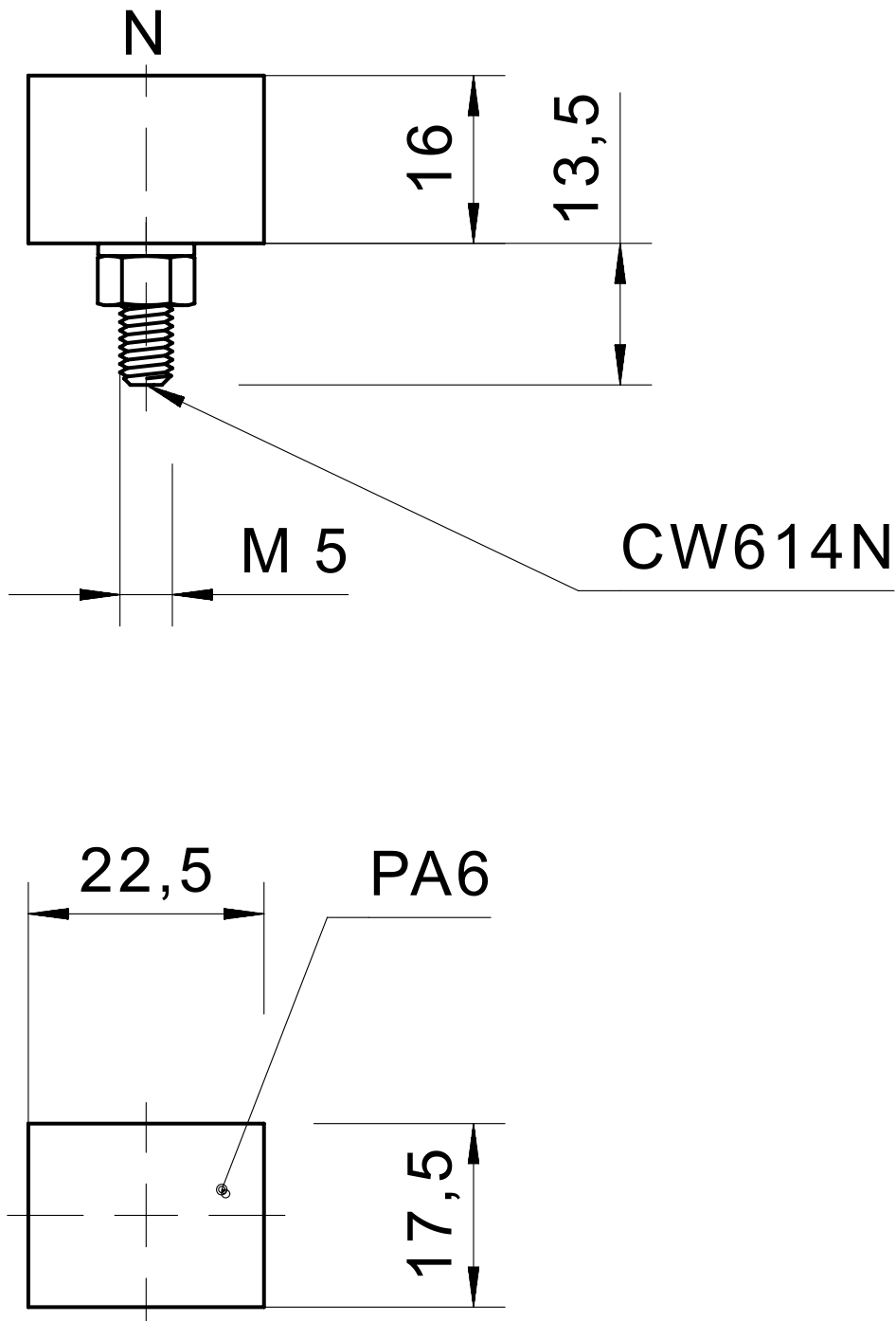
### Product characteristics

- For use with magnetic sensors
- Simple installation thanks to M5 screw thread
- Large temperature range

Technical drawing

IMAGE 1/1

301510



**Product options**

IMAGE 1/1

**ORDERING KEY**

	<b>Oxide magnet with housing</b>
<b>301510</b>	North orientation
<b>301520</b>	South orientation

### Article characteristics

Attribute	301510	301520
Dimensions	17,5x22,5x16	
Material	PA, hard ferrite	
Operating temperature min.	-20 °C	
Max. operating temperature	100 °C	
Mounting type	Thread	
Thread	M5x13,5	