

Oxide magnet 301650 Ø50x25x15mm

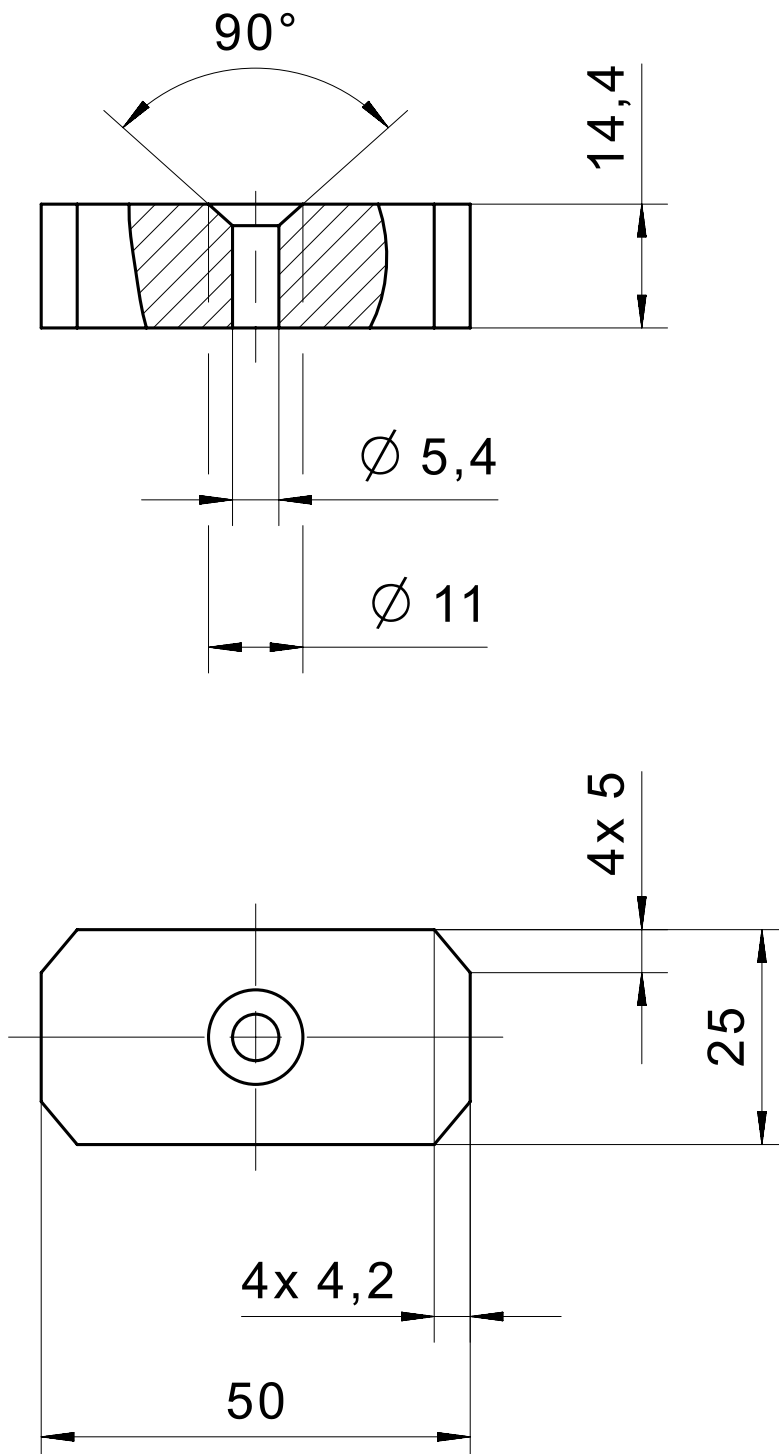
Product characteristics

- For use with magnetic sensors
- Simple installation with just one screw
- Large temperature range

Technical drawing

IMAGE 1/1

301650



Article characteristics

Attribute	301650
Operating temperature min.	-20 °C
Max. operating temperature	100 °C
Dimensions	25x50x15
Mounting type	Screw
Material	hard ferrite