

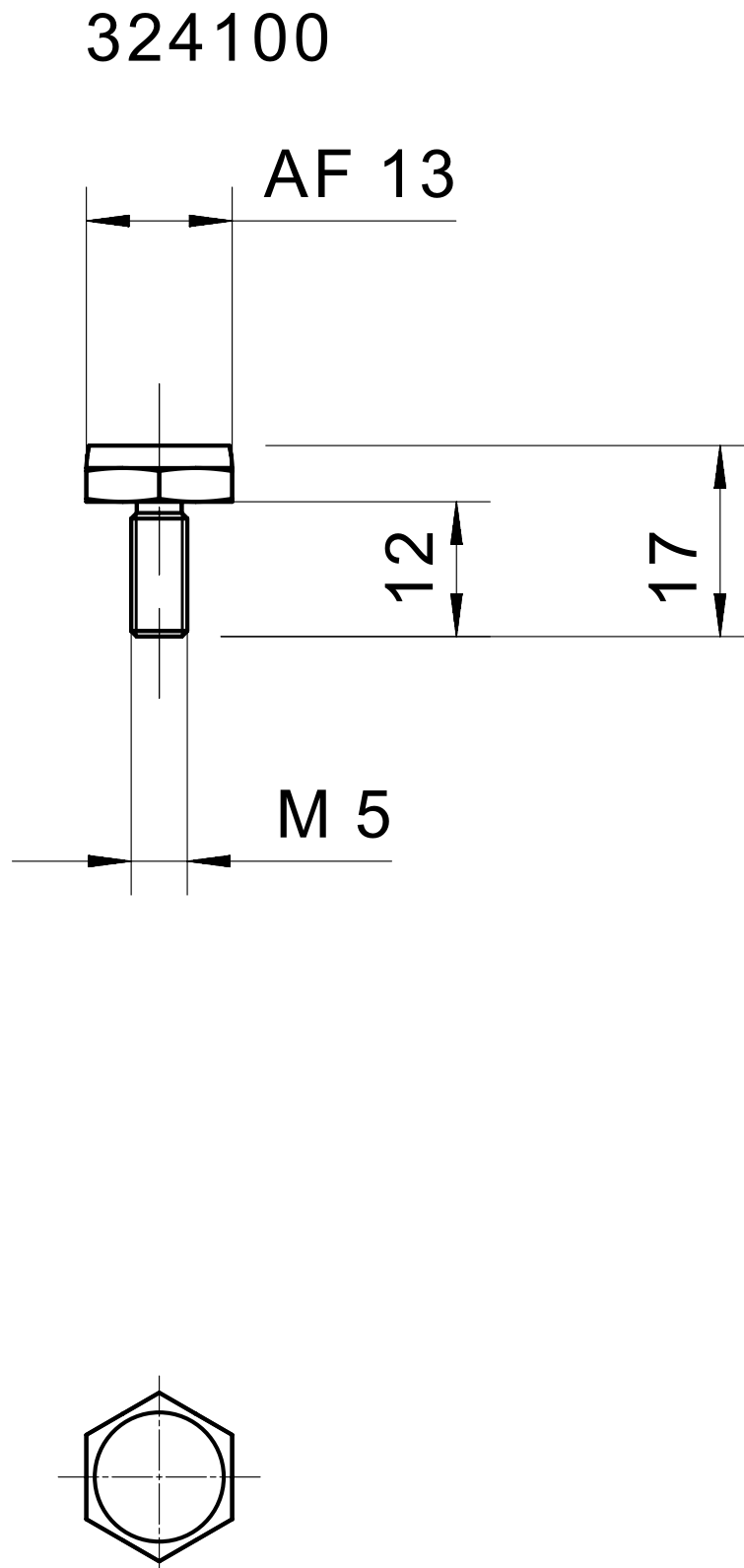
## Plastic magnet 324100 Ø12mm

### Product characteristics

- For use with magnetic sensors
- Simple installation thanks to M5 screw thread
- Large temperature range

Technical drawing

IMAGE 1/1



### Article characteristics

Attribute	324100
Dimensions	SW13 / H=5
Material	Brass, plastic
Operating temperature min.	-20 °C
Max. operating temperature	100 °C
Mounting type	Thread
Thread	M5x12