

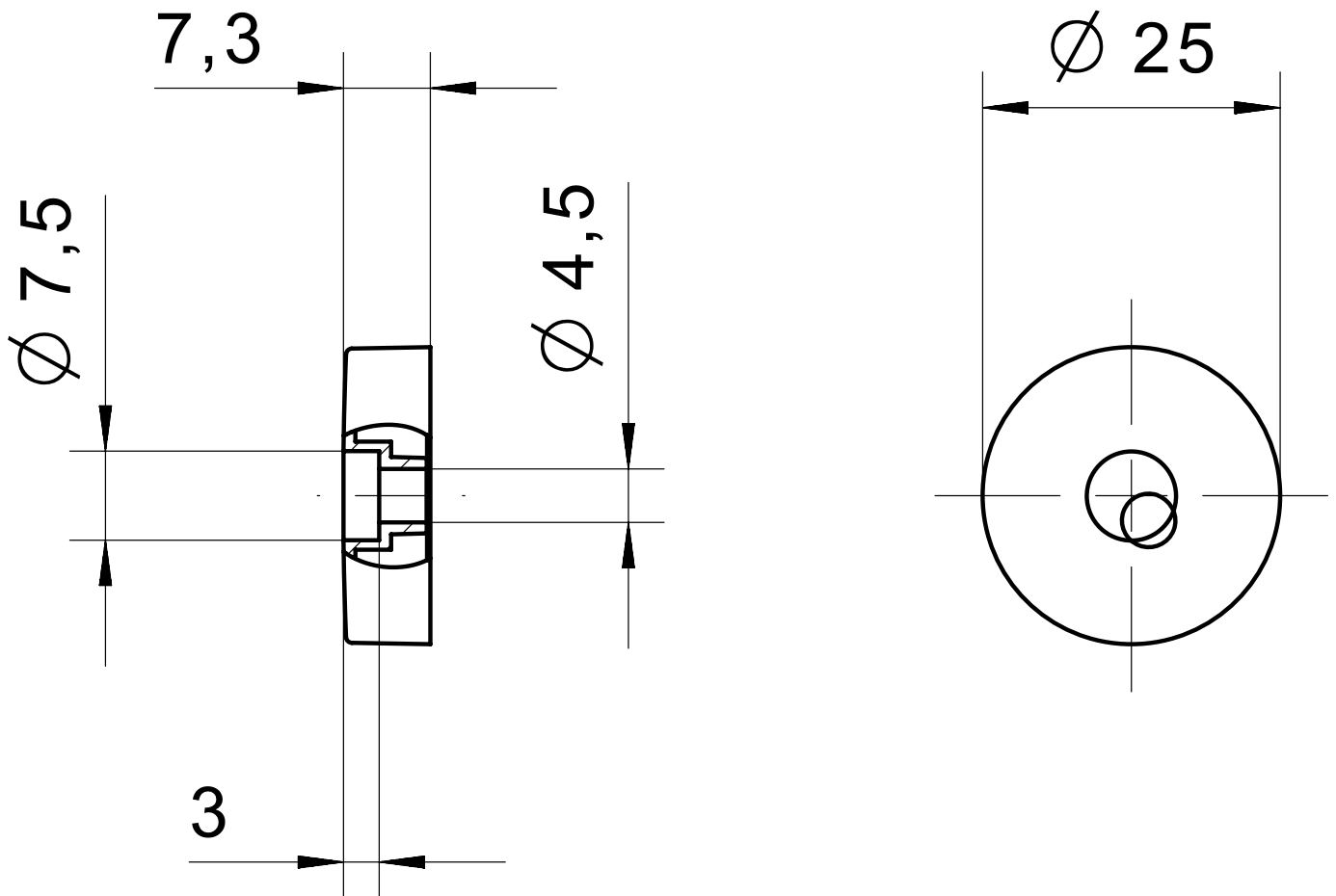
## Plastic magnet 324790 Ø25x7mm

### Product characteristics

- For use with magnetic sensors
- Simple installation with just one screw
- Large temperature range

Technical drawing

IMAGE 1/1



### Article characteristics

Attribute	324790
Dimensions	Ø 25 / H=7
Material	PA, plastic
Operating temperature min.	-20 °C
Max. operating temperature	100 °C
Mounting type	Screw