

Plunger switch 144

The plunger-operated switches from elobau are extremely robust. The robustness is ensured by the high leak tightness in accordance with IP67, together with a high level of temperature stability and vibration resistance. The robust design and availability of different versions make them extremely versatile in use. Depending on the version, they can be used to detect the positions of shafts or pistons in different applications.

Typical applications are gearboxes, drive and conveyor components or the sensing of end positions in industrial applications.

Product characteristics

- Extreme operating temperature range from -25 °C to +130 °C
- IP67 protection class
- Various materials and designs available
- Variants with cable output as well as various connectors
- Different options for switching paths (4-12mm)
- Can be modified according to requirements

Technical drawing

IMAGE 1/3

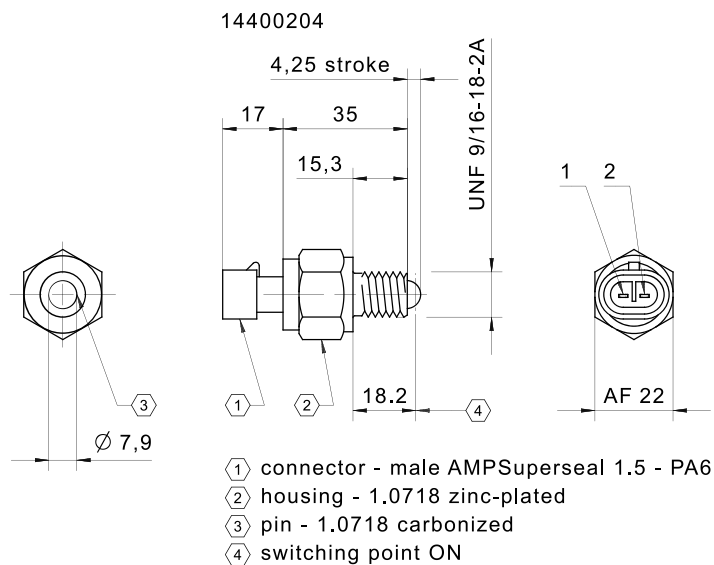
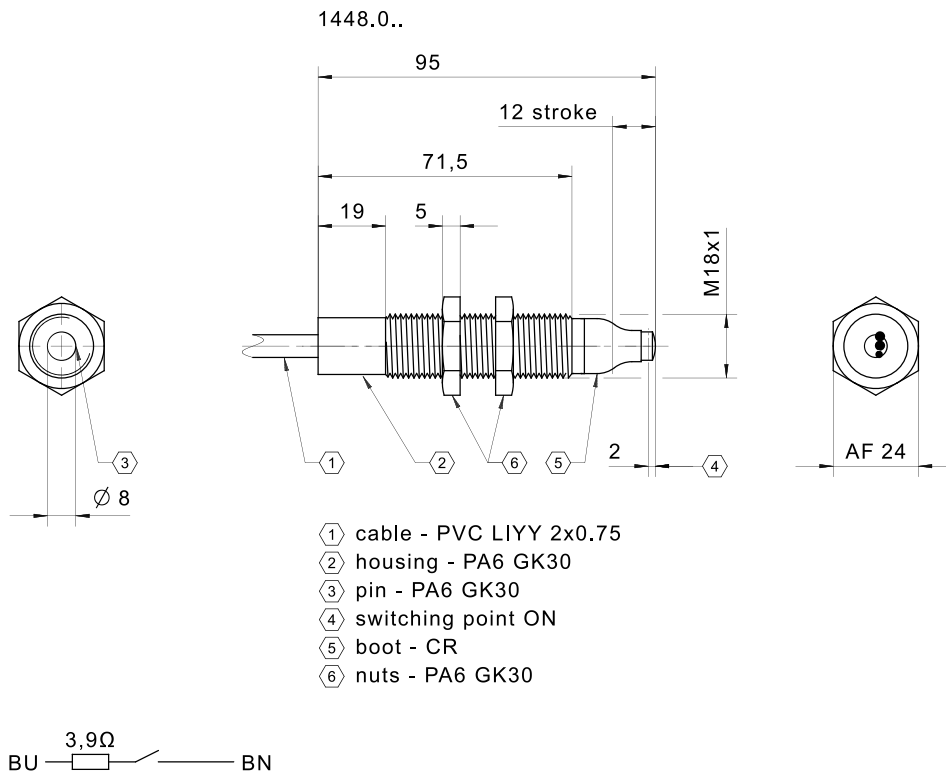
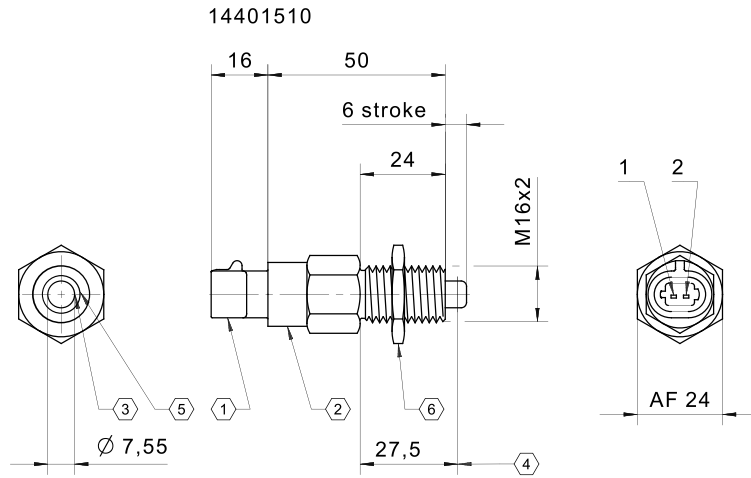
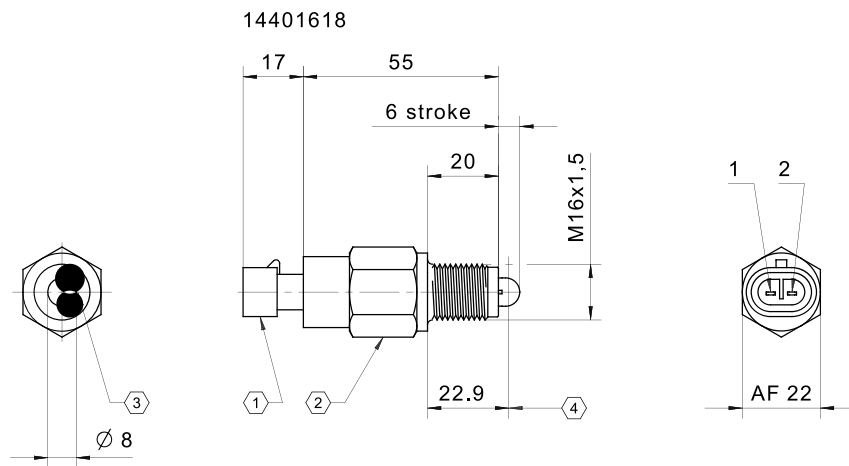
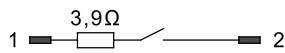


IMAGE 2/3



- ① connector - male Metri Pack - PA6
- ② housing - 1.0718 zinc-plated
- ③ pin - POM
- ④ switching point ON
- ⑤ wiper ring - TPE
- ⑥ nut - 1.0718 zinc-plated



- ① connector - male AMP Superseal 1.5 - PA6
- ② housing - 1.0718 zinc-plated
- ③ pin - POM
- ④ switching point ON

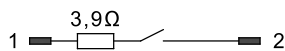
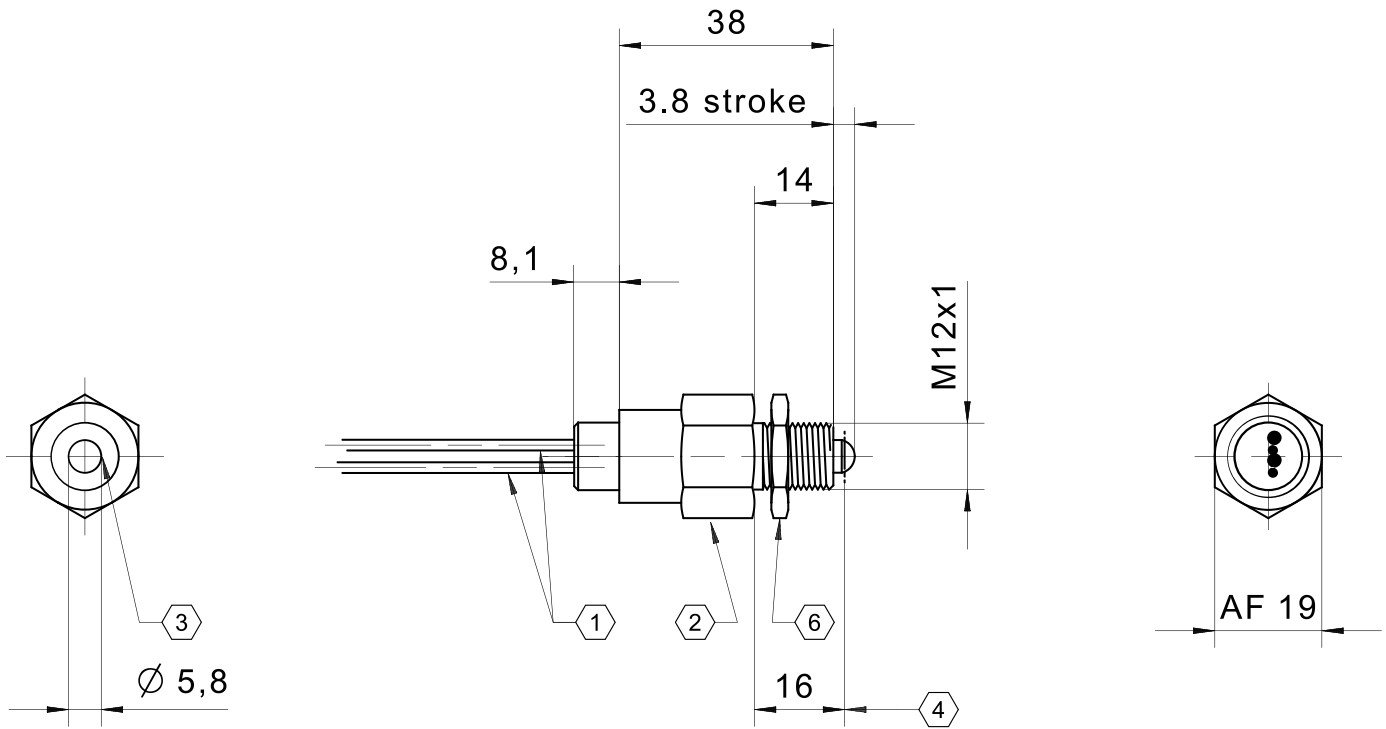
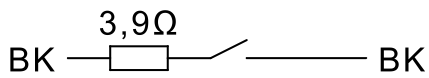


IMAGE 3/3

14452105



- ① sealed single wire
- ② housing - 1.0718 zinc-plated
- ③ pin - 1.0718 carbonized
- ④ switching point ON
- ⑥ nut - 1.0718 zinc-plated



Article characteristics

Attribute	14400204	14401510	14452105	144810	144820
Max. switching voltage	48 V DC				
Max. switching voltage	48 V AC				
Max. switching current	0.3 A		0.5 A		
Contact form	NO				NC
Technology	Reed				
Max. switching power	0.34 W			10 W	
Actuation	front				
Switching principle	magnetic				
Series resistor	3.9 Ohm			-	
Dimensions	L=56,25mm / SW22	L=66mm / SW19	L=50mm / SW19	L=95mm / SW24	
Stroke	4.3 mm	6 mm	4 mm	12 mm	
Housing material	1.0718 Fe/Zn10/B	1.0718 Fe/Zn8/Cn/T2		PA6GK30	
Nut material	-	1.0718 Fe/Zn8/Cn/T2		PA6GK30	
Cable material	-			PVC	
Protection class	IP67 DIN EN 60529				
Operating temperature min.	-25 °C	-30 °C	-25 °C		
Max. operating temperature	130 °C	100 °C	85 °C	75 °C	
Min. cable temperature range, moving	-			-5 °C	
Max. cable temperature range, moving	-			70 °C	
Min. cable temperature range, fixed installation	-			-25 °C	
Max. cable temperature range, fixed installation	-			70 °C	
Min. storage temperature	-25 °C	-30 °C	-25 °C		
Max. storage temperature	130 °C	100 °C	85 °C	75 °C	
Mounting type	Thread				
Thread	9/16-18-2A UNF	M16x2	M12x1	M18x1	
Connector type	AMP Superseal 2-pol.	Metri-Pack	-		
Cable length	-		0.5 m	1 m	