



Power Take-Off Switch 151PTO

For intuitive operation, with Illumination.

Power take off switch 151PTO is a robust, intuitive push button with E-stop function. The power take off push button switch is used primarily in agricultural machinery for safely switching the front or rear PTO shaft on and off. A two-level switch-on ensures no unintended actuation.

Technical specifications

- Optionally available with function and night illumination
- Contactless switching principle through reed technology
- For standard installation openings 44 x 22 x 1.5 mm
- Additional circuitry and illuminated symbols optionally available
- Simple installation
- Developed for harsh operating conditions with internal electronics sealed to IP67 protection class
- Latching detent available upon request

Technical drawing

IMAGE 1/2

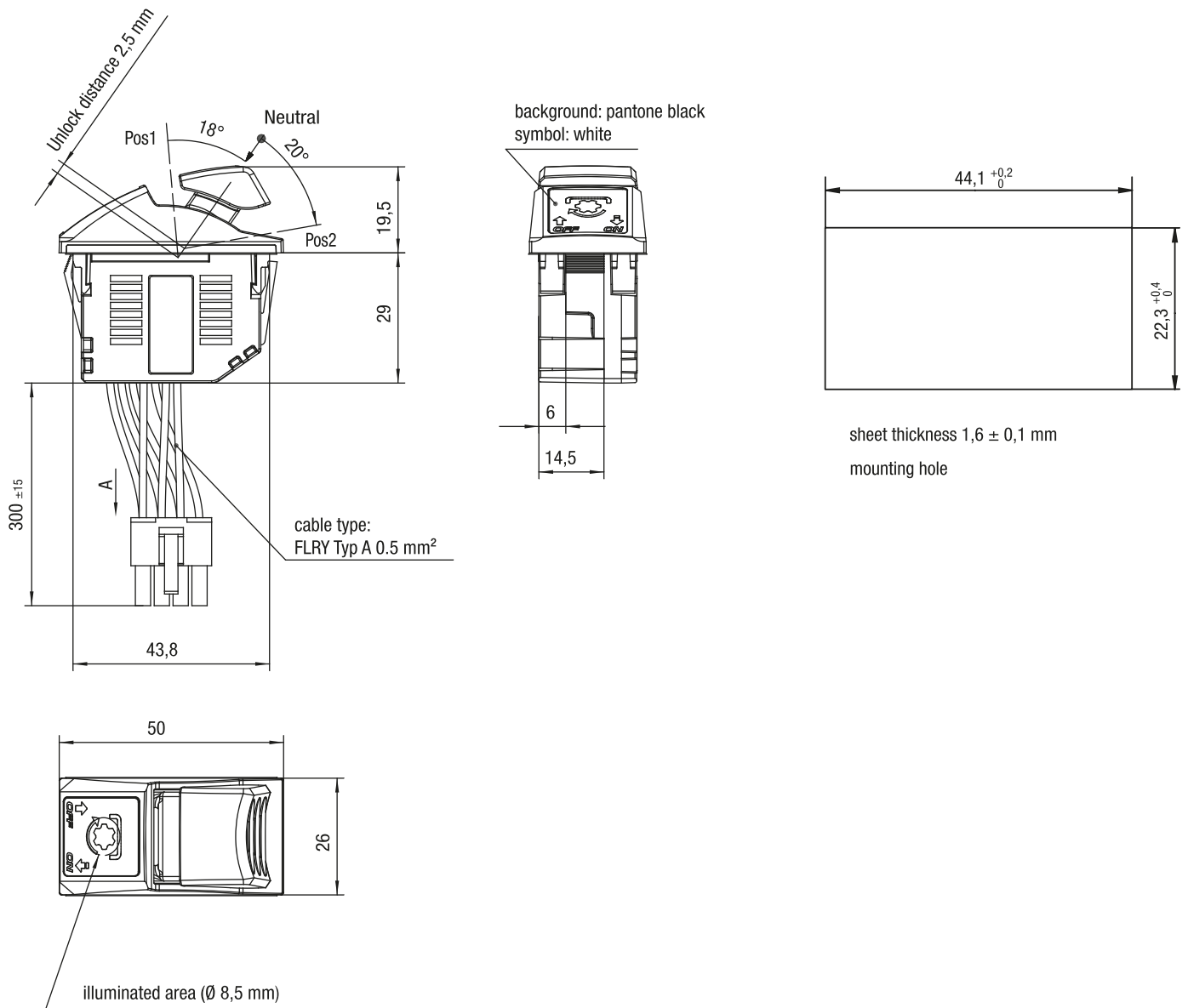
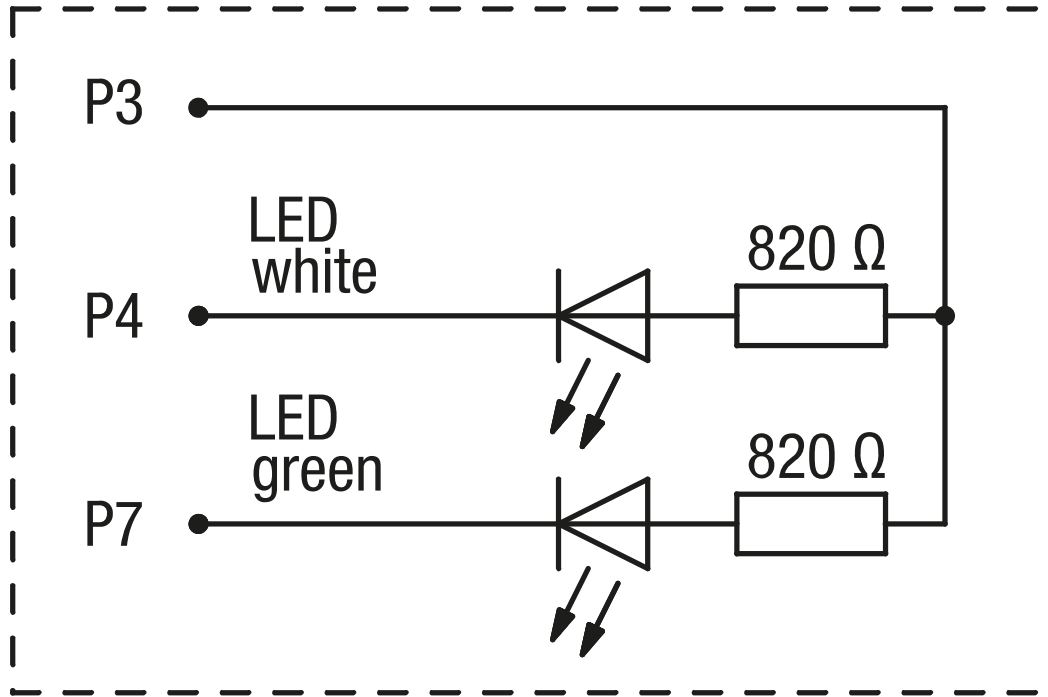
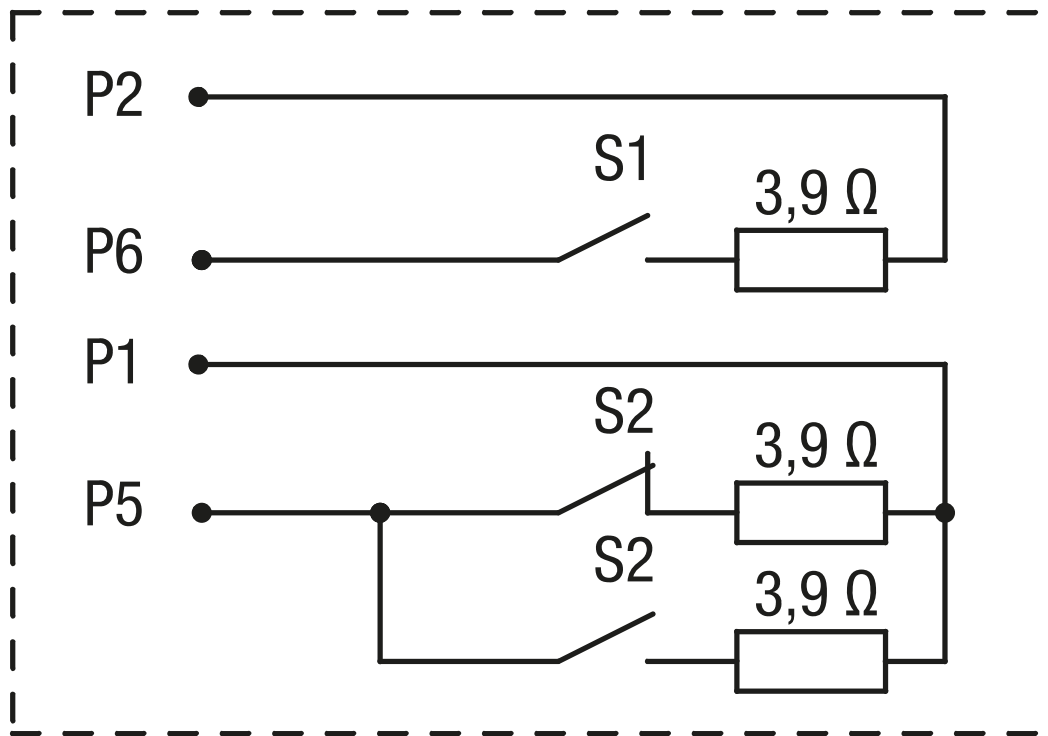


IMAGE 2/2

backlight



PTO Switches



Article characteristics

Attribute	151PT016	151PT080	151PT081	151PT079
Max. switching voltage	48 V DC	36 V DC		
Max. switching current	0.3 A			0 A
Max. switching power	5 W			0 W
Max. switching power	5 VA			0 VA
Contact form	NO			
Series resistor	3.9 Ohm			-
Service life, mechanical (Cycles)	300000			
Actuator/handle material	PA12 GD30			
Gaiter material	EPDM			
Protection class, electronic	IP67 DIN EN 60529			
Operating temperature min.	-40 °C			
Max. operating temperature	85 °C			
Min. storage temperature	-40 °C			
Max. storage temperature	85 °C			
Installation	from above			
Mounting type	inserted/latched			
Connector type	Molex Mini-Fit 39-01-2080 8Pin			Molex Mini-Fit 39-01-2080 8Polig
Cable type	FLRY A			FLRY A
Cable length	0.3 m			